

PENTEK XE SERIES

4" SUBMERSIBLE MOTORS

Built with the latest design, manufacturing and testing technology, the Pentek® XE Series submersible motors feature laser-welded 304L stainless steel construction, higher thrust capacities, and higher efficiencies. They incorporate encapsulated, epoxy stator design, and the professional-grade Class F insulation provides longer life in harsh environments. Each motor is 100% factory pressure and run tested to support our quality standards.

APPLICATIONS

Water systems for residential, industrial, commercial, multiple housing and farm clean water use.



FEATURES

- ◆ **700# Rated Kingsbury Thrust Bearing Design:** Large high-performance bearings are standard on all HPs allowing for higher thrust loads, providing many years of trouble free service under severe duty operation.
- ◆ **2-Wire Permanent Split Capacitor:** Design insures quiet operation and improved operating efficiency.
- ◆ **3-Wire Motors:** Operate with Pentek SMC and Pentek VIP motor controls.
- ◆ **All Stainless Steel Exterior**
- ◆ **Professional-Grade Class F-Compliant Motor Insulation:** Allows for longer service life.
- ◆ **UL, CSA Approved and NSF/ANSI 61 Certified**
- ◆ **100% Factory Pressure and Run Tested**
- ◆ **Equipped with Surge Arrestor**
- ◆ **Automatic Thermal Protection on 1/2 - 1 HP Models**

SPECIFICATIONS

- ◆ **End Bell:** 304 stainless steel over cast iron.
- ◆ **Shell:** 304 stainless steel.
- ◆ **Motor Shaft:** 17-4 precipitation hardened stainless steel.
- ◆ **Winding:** Copper.
- ◆ **Insulation:** Class F, 311°F (155°C).
- ◆ **Max. Water Temp:** 86°F (30°C).
- ◆ **Fasteners:** 304 stainless steel.
- ◆ **Sand Boot:** Nitrile.
- ◆ **Cable:** Field serviceable, controlled compression design, UL and CSA approved.
- ◆ **Cable Length:** 48".
- ◆ **Diaphragm:** EPDM.
- ◆ **Thrust Bearings:** Kingsbury-type, pivot shoe, carbon graphite mating ring.
- ◆ **Thrust Load Capacity:** 700 lbs.

PENTEK XE SERIES 4" SUBMERSIBLE MOTORS

ORDERING INFORMATION

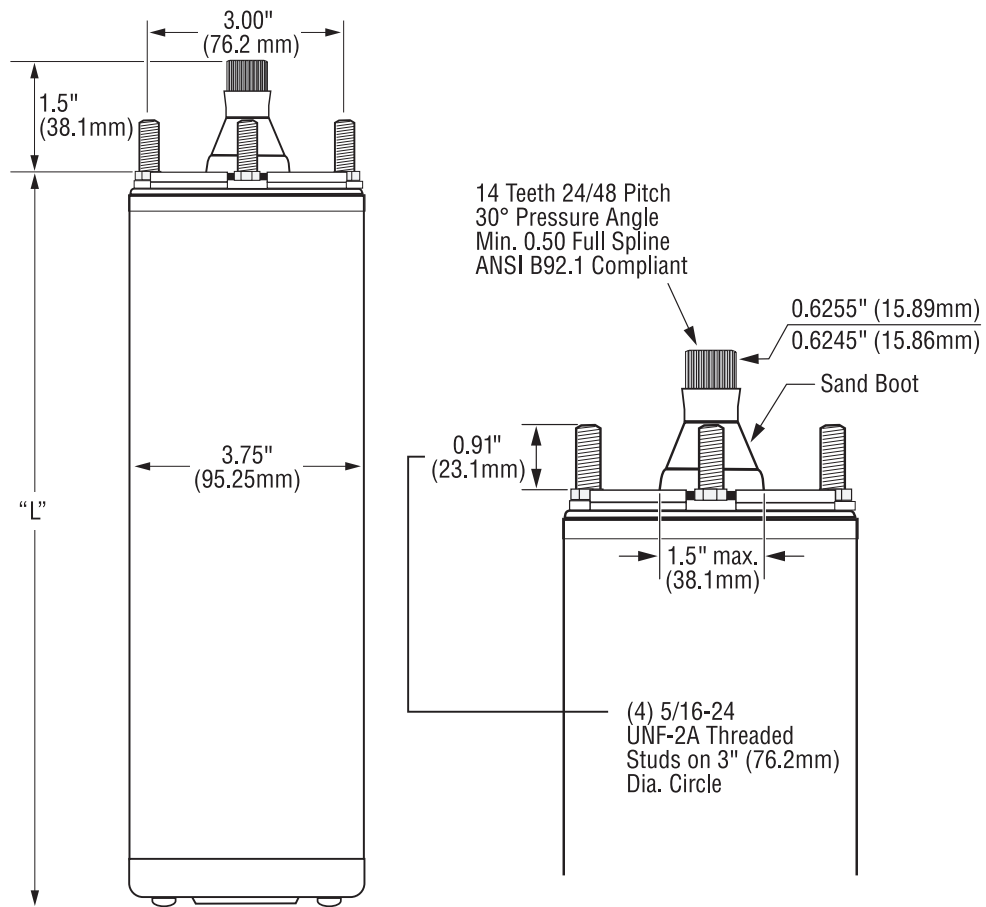
RATING					CATALOG NUMBER	FULL LOAD AMPS	MAX. LOAD (SF LOAD) AMPS	LOCKED ROTOR AMPS	WINDING		THRUST RATING	LENGTH		WEIGHT			
HP	KW	VOLTS	Hz	SERVICE FACTOR					MAIN RESISTANCE	START RESISTANCE		IN.	MM	LB.	KG		
PERMANENT SPLIT CAPACITOR (PSC) 2 WIRE																	
1/2	0.37	115	60	1.6	P42B0005A1-01	8.1	10.2	28.0	1.4-2.0	700	11.0	279	19.2	8.7			
		230		1.6	P42B0005A2-01	4.3	4.8	16.0	6.1-7.2		11.0	279	19.2	8.7			
3/4	0.55	230		1.5	P42B0007A2-01	5.0	6.4	18.0	5.9-6.9		12.4	314	22.7	10.3			
1	0.75	230		1.4	P42B0010A2-01	6.7	8.2	23.5	4.2-5.2		13.0	337	24.5	11.1			
1-1/2	1.1	230		1.3	P42B0015A2-01	9.1	10.5	43.0	1.8-2.4		14.9	378	28.9	13.1			
CAPACITOR START/INDUCTION RUN (CSIR) 3 WIRE																	
1/2	0.37	115	60	1.6	P43B0005A1-01	9.8	11.6	44.0	1.0-1.4	2.5-3.1	700	10.0	253	18.9	8.6		
		230		1.6	P43B0005A2-01	5.7	6.3	20.5	5.1-6.1	12.4-13.7		9.7	246	18.1	8.2		
3/4	0.55	230		1.5	P43B0007A2-01	6.7	7.9	32.0	2.6-3.3	10.4-11.7		10.8	275	21.4	9.7		
1	0.75	230		1.4	P43B0010A2-01	8.5	9.5	41.0	2.0-2.6	9.3-10.4		11.7	297	23.1	10.5		
CAPACITOR START/CAPACITOR RUN (CSCR) 3 WIRE																	
1/2	0.37	230		60	1.6	P43B0005A2-01	4.4	5.0	21.0	5.1-6.1		12.4-13.7	700	9.7	246	18.1	8.2
3/4	0.55		1.5		P43B0007A2-01	4.6	6.1	32.0	2.6-3.3	10.4-11.7	10.8	275		21.4	9.7		
1	0.75		1.4		P43B0010A2-01	6.2	7.4	41.0	2.0-2.6	9.3-10.4	11.7	297		23.1	10.5		
1-1/2	1.1		1.3		P43B0015A2-01	9.2	11.0	49.0	2.1-2.5	10.0-10.8	13.6	345		27.4	12.4		
2	1.5		1.25		P43B0020A2	9.9	12.2	49.0	1.6-2.2	4.8-5.9	900	15.1	383	31.0	14.1		
3	2.2		1.15		P43B0030A2	14.3	16.5	76.0	1.0-1.4	2.0-2.5		18.3	466	40.0	18.1		
5	3.7		1.15		P43B0050A2	24.0	27.0	101.0	.6-.8	1.3-1.7		1500	27.7	703	70.0	31.8	
NOTE: Amp ratings on 3-wire motors reflect use with CSIR controls. A CSCR control is recommended for lower values.																	

PENTEK XE SERIES 4" SUBMERSIBLE MOTORS

RATING					CATALOG NUMBER	FULL LOAD AMPS	MAX. LOAD (SF LOAD) AMPS	LINE TO LINE RESISTANCE OHMS	LOCKED ROTOR AMPS	THRUST RATING	LENGTH		WEIGHT		
HP	KW	VOLTS	Hz	SERVICE FACTOR							IN.	MM	LB.	KG	
3 PHASE															
1/2	0.37	200	60	1.6	P43B0005A8	2.9	3.5	4.1-5.2	22	700	10.0	254	18.9	8.6	
		230			P43B0005A3	2.4	3.0	5.7-7.2	18		10.0	254	18.9	8.6	
		460			P43B0005A4	1.3	1.5	23.6-26.1	9		10.0	254	18.9	8.6	
3/4	0.55	200	60	1.5	P43B0007A8	3.9	4.7	2.8-3.7	30		10.8	274	21.4	9.7	
		230			P43B0007A3	3.3	4.0	3.3-4.3	27		10.8	274	21.4	9.7	
		460			P43B0007A4	1.7	2.0	14.4-16.2	14		10.8	274	21.4	9.7	
1	0.75	200	60	1.4	P43B0010A8	4.8	5.7	2.2-3.1	34		11.7	297	23.1	10.5	
		230			P43B0010A3	4.1	4.9	3.2-4.2	26		11.7	297	23.1	10.5	
		460			P43B0010A4	2.2	2.5	16.8-18.6	15		11.7	297	23.1	10.5	
1-1/2	1.1	200	60	1.3	P43B0015A8	6.6	7.6	1.9-2.5	40		11.7	297	23.1	10.5	
		230			P43B0015A3	5.8	6.6	2.5-3.1	36		11.7	297	23.1	10.5	
		460			P43B0015A4	3.0	3.4	9.5-10.5	16		11.7	297	23.1	10.5	
		575			P43B0015A5	2.3	2.6	15.6-17.3	15		11.7	297	23.1	10.5	
2	1.5	200	60	1.25	P43B0020A8	8.0	9.3	1.4-2.0	51		900	13.8	351	27.4	12.4
		230			P43B0020A3	6.7	8.0	2.2-2.8	44			13.8	351	27.4	12.4
		460			P43B0020A4	3.6	4.1	7.5-9.3	23	13.8		351	27.4	12.4	
		575			P43B0020A5	2.7	3.3	10.2-12.5	21	15.3		389	32.0	14.5	
3	2.2	200	60	1.15	P43B0030A8	10.9	12.0	1.2-1.5	71	15.3		389	32.0	14.5	
		230			P43B0030A3	9.2	10.1	1.6-2.0	59	15.3		389	32.0	14.5	
		460			P43B0030A4	4.8	5.3	6.3-7.7	30	15.3		389	32.0	14.5	
		575			P43B0030A5	3.7	4.1	10.2-12.5	21	15.3		389	32.0	14.5	
5	3.7	200	60	1.15	P43B0050A8	18.3	20.2	.7-.9	113	21.7		551	55.0	24.9	
		230			P43B0050A3	15.7	17.5	.9-1.3	93	21.7		551	55.0	24.9	
		460			P43B0050A4	7.6	8.5	3.9-4.9	48	21.7		551	55.0	24.9	
		575			P43B0050A5	7.0	7.6	3.6-4.2	55	27.7		703	70.0	31.8	
7-1/2	5.6	200	60	1.15	P43B0075A8	27.0	30.0	.4-.6	165	1500	27.7	703	70.0	31.8	
		230			P43B0075A3	24.0	26.4	.5-.9	140		27.7	703	70.0	31.8	
		460			P43B0075A4	12.2	13.5	2.1-2.7	87		27.7	703	70.0	31.8	
		575			P43B0075A5	9.1	10	3.6-4.2	55		27.7	703	70.0	31.8	
10	7.5	460	60	1.15	P43B0100A4	15.6	17.2	1.8-2.2	110		30.7	780	78.0	35.4	

PENTEK XE SERIES 4" SUBMERSIBLE MOTORS

OUTLINE DIMENSIONS



Dimensions (in inches) are for estimating purposes only.

LEAD LENGTH

CATALOG NUMBER	# OF WIRE	TYPE	LENGTH	GAUGE
XE SERIES REPLACEMENT MOTOR LEADS				
P18-1485K	2 Wire	XLPE	48"	14 Ga
P18-1486K	3 Wire	XLPE	48"	14 Ga
P18-1651K	2 Wire	XLPE	100"	14 Ga
P18-1652K	3 Wire	XLPE	100"	14 Ga
P18-1678K	3-Wire	XLPE	180"	14 AWG



293 Wright Street
Delavan, WI 53115
Ph: 866.973.6835
Fx: 800.426.9446

490 Pinebush Rd., Unit 4
Cambridge, Ontario
Canada N1t 0a5
Ph: 800.363.7867
Fx: 888.606.5484

pentair.com

All indicated Pentair trademarks and logos are property of Pentair. Third party registered and unregistered trademarks and logos are the property of their respective owners. Because we are continuously improving our products and services, Pentair reserves the right to change specifications without prior notice. Pentair is an equal opportunity employer.

©2022 Pentair. All Rights Reserved.

M9112WS (12-15-22)