

FRESHPOINT® F2000

TWO STAGE FILTRATION SYSTEMS



F2000-B2M, (with filter life monitor) shown

APPLICATIONS

- ◆ Drinking water

FEATURES • BENEFITS

- ◆ Effortless click-in cartridge change-outs
- ◆ Color-coded cartridges maintain proper filter sequence
- ◆ 3/8" push fittings for easy installation
- ◆ Optional filter life monitor provides visual filter replacement notification (*Model F2000-B2M only*)

MODELS

- ◆ F2000-B2M (Includes filter life monitor)

INSTALLATION TIPS

- ◆ Choose a mounting location suitable to support the full weight of the system when operating.
- ◆ Install vertically with the cartridge hanging down.
- ◆ System may be installed with cartridge flush to the baseboard if desired as the mechanical assist lever pushes cartridges straight out.
- ◆ Magnetic timer may be removed from system and placed in alternative locations such as on refrigerator.

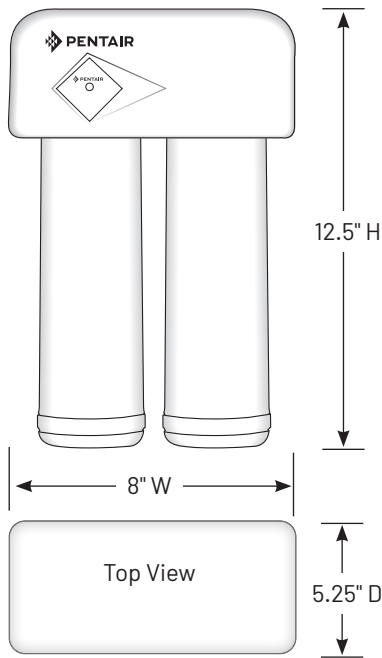
OPERATION TIPS

- ◆ Replace cartridge every 675 gallons or 1 year (or if flow has diminished).
- ◆ Place replacement cartridges in proper sequence utilizing color coded shapes.
- ◆ System designed with integrated check valves so cold water line does not need to be shut-off to perform cartridge change-outs.

INCLUDES

- ◆ Side faucet
- ◆ Installation kit
- ◆ Installation and operation manual

FRESHPOINT F2000 TWO STAGE FILTRATION SYSTEMS



SPECIFICATIONS

- ◆ **System** (Model/Part No.)
F2000-B2B/158839
F2000-B2M/158853
- ◆ **Inlet Size**
3/8" QC
- ◆ **System Dimensions**
12.5" H x 8" W x 5.25" D
(317 mm x 203 mm x 133 mm)
- ◆ **System Weight**
4.50 lbs
- ◆ **Contaminant Reduction**
Chlorine Taste & Odor, Lead, Atrazine, Lindane, Nominal Particulate, Class I, VOC's, PFOA/PFOS, Cyst: NSF/ANSI Standard 53 certified to reduce cysts such as *Cryptosporidium* and *Giardia* by mechanical means.
- ◆ **Micron Rating**
0.50

EPA Est. No. 082989-CHN-001

- ◆ **Approximate Filter Life***
Up to 1 Year
- ◆ **Capacity**
675 Gallons (2555 Liters)
- ◆ **System Production Rate**
0.60 gpm (2.27 Lpm)
(Side Faucet Required)
- ◆ **Certifications**
NSF/ANSI Standard 42, 53
CSA Standard B483.1
- ◆ **Feed Pressure Range**
40 - 100 psi (2.75 - 6.89 bar)
- ◆ **Temperature Range**
40 - 100°F (4.4 - 37.8°C)
- ◆ **Replacement Cartridges**
(Model/Part No.)
F2B2-RC2/655126-96 (Twin Pack)

* Filter life dependent on gallon usage and overall incoming water quality.



The Models F2000-B2B and F2000-B2M are Tested and Certified by NSF International against NSF/ANSI Standards 42, 53 and CSA B483.1 for the reduction of substances specified in the service manual or at www.nsf.org.



The Models F2000-B2B and F2000-B2M are certified by IAPMO R&T against NSF/ANSI 53 for the reduction of perfluorooctanoic acid (PFOA) and perfluorooctane sulfonate (PFOS).



13845 Bishops Dr. | Suite 200 | Brookfield, WI 53005 | United States
P: 262.238.4400 | Customer Service: 800.279.9404 | tech-support@pentair.com | pentair.com

Todas las marcas y logos de Pentair son propiedad de Pentair. Las marcas y logos registrados y no registrados de terceros son propiedad de sus respectivos propietarios.

© 2022 Pentair. Todos los derechos reservados.

4004685 Rev E MY22