

SUBMERSIBLE VORTEX WASTEWATER PUMPS

3RMW SERIES

Myers 3RMW Submersible Wastewater Vortex Pumps are the right choice when difficult to pump fibrous or stringy solids are to be expected. The 3RMW series provides smooth, vibration-free operation over the entire performance curve.

APPLICATIONS

Light and medium commercial applications.



FEATURES

- ◆ **Motor Housing:** Cast iron for efficient heat transfer and corrosion resistance.
- ◆ **Motor:** 1, 1½, 2 and 3 HP single or three phase, 60 Hz, 3450 RPM. 1½, 2 and 3 HP single or three phase, 60 Hz, 1750 RPM. Single phase PSC motors have built-in winding overload protection, oil-cooled and lubricated.
- ◆ **Ball Bearings:** Upper and lower ball bearings support rotor and take radial and thrust loads.
- ◆ **Seal Leak Probes:** Detect water leakage in seal housing. Activates warning light. (Dual seal models only)
- ◆ **Pump Out Vanes:** Help keep trash from seal, reduces pressure at seal faces.
- ◆ **Shaft Seals:** Carbon and ceramic faces. Optional tungsten carbide.
- ◆ **Recessed Open Vane Impeller:** Ductile iron construction.
- ◆ **High Efficient Cast Iron Volute:** Corrosion resistant. 3" Flanged horizontal discharge with legs. Recessed impeller greatly increases bearing life by reducing radial load.
- ◆ Operates without vibration or cavitation over entire performance curve. Operates near shutoff without harming pump.
- ◆ **Power And Control Cords:** Jacket sealed with compression fittings. Individual wires potted with epoxy to prevent wicking in case of cord damage.

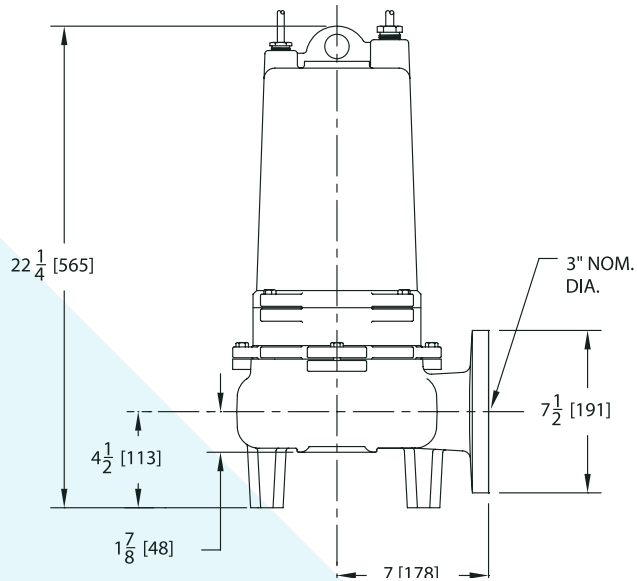
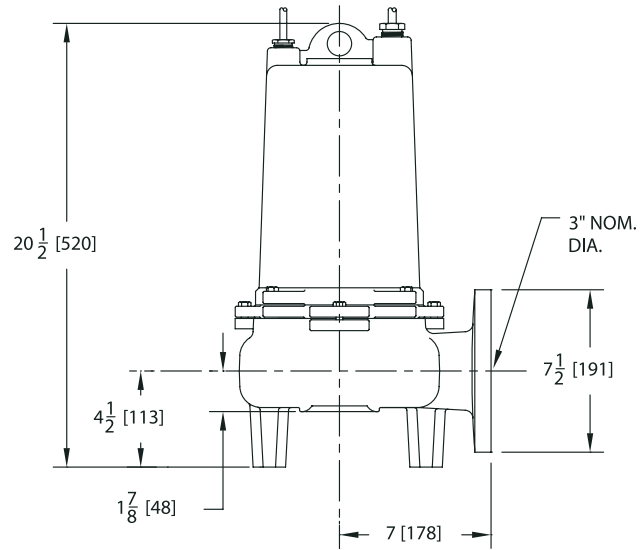
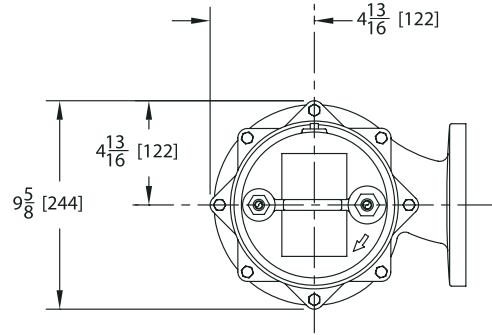
SPECIFICATIONS

- ◆ **Capacities To:** 280 GPM (17.67 LPS)
- ◆ **Heads To:** 51 ft. (15.55 m)
- ◆ **Solids Handling:** For 1750 = 2½ in. (63.5 mm); For 3450 = 2 in. (50.6mm)
- ◆ **Liquids Handling:** Raw sewage, effluent, rain water
- ◆ **Intermittent Liquid Temp.:** Up to 140°F (up to 60°C)
- ◆ **Winding Insulation Temp. (Class B):** 260°F (130°C)
- ◆ **Motor Electrical Data:** Single phase are psc type; three phase need Myers control panel. 1750 rpm (3450 rpm); 1½ - 3 HP (1 - 3 HP); 208/230 volt, 1Ø, 60 Hz, 1750 rpm; 200/230/460/575 volt, 3Ø, 60 Hz; 3Ø, 60 Hz
- ◆ **Discharge, Horizontal:** 3" flanged
- ◆ **Minimum Sump Dia. (Duplex):** 48 in. (1.2 m)
- ◆ **Motor Housing, Seal Housing, Volute Case:** Cast iron, Class 30, ASTM A48
- ◆ **Recessed Impeller:** Ductile iron, Class 65, ASTM A536
- ◆ **Power and Control Cords:** S00W / SJ00W
- ◆ **Mechanical Seals, Standard, Optional:** Single or dual, type 21 carbon and ceramic tungsten carbide
- ◆ **Pump, Motor Shaft:** 416 SST
- ◆ **Fasteners:** 300 series SST

VORTEX WASTEWATER PUMPS 3RMW SERIES

DIMENSIONAL DATA

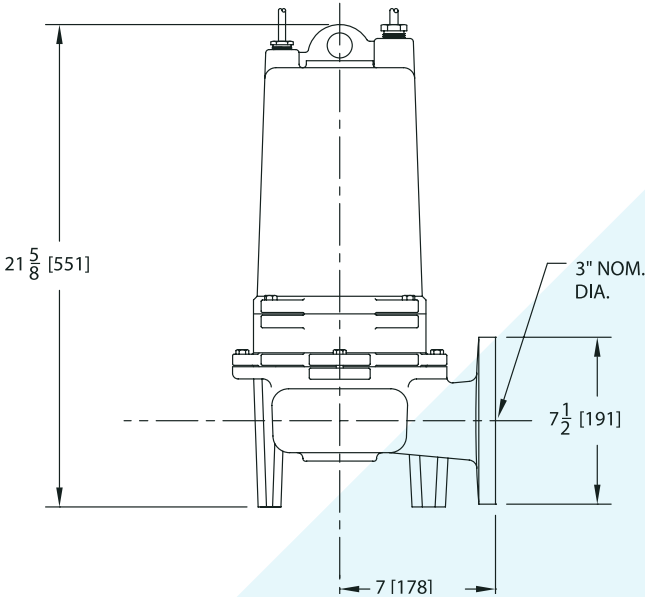
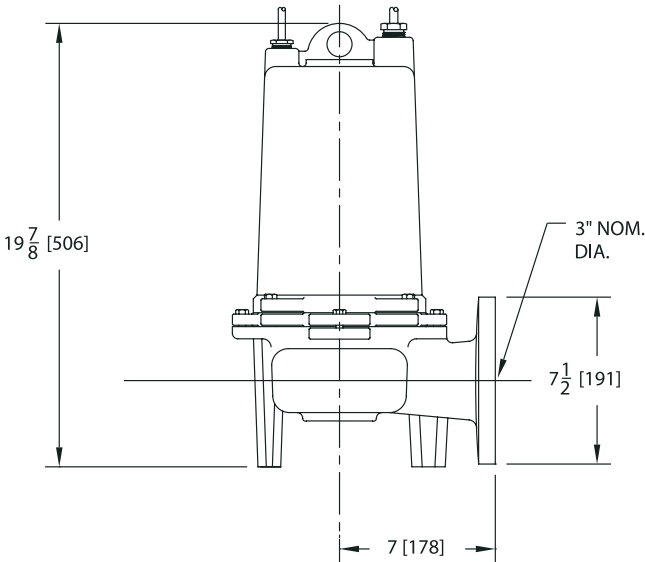
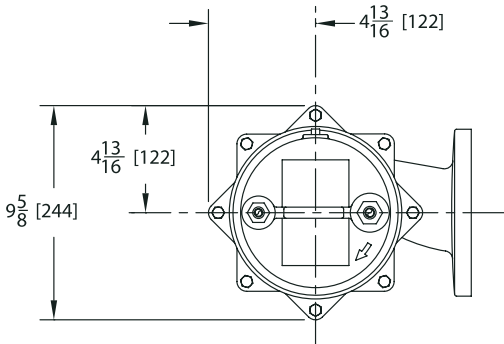
1750 RPM



Dimensions in inches
[] Dimensions in mm

DIMENSIONAL DATA

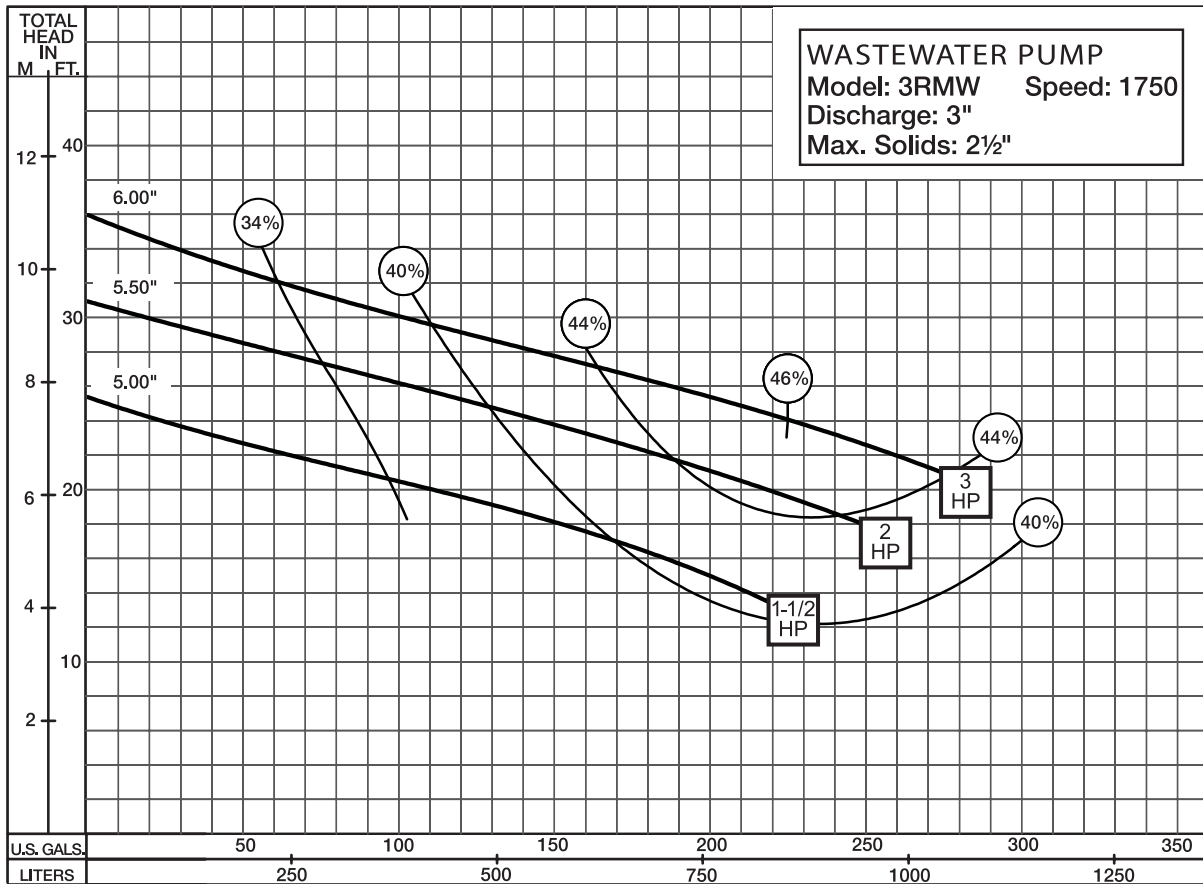
3450 RPM



Dimensions in inches
[] Dimensions in mm

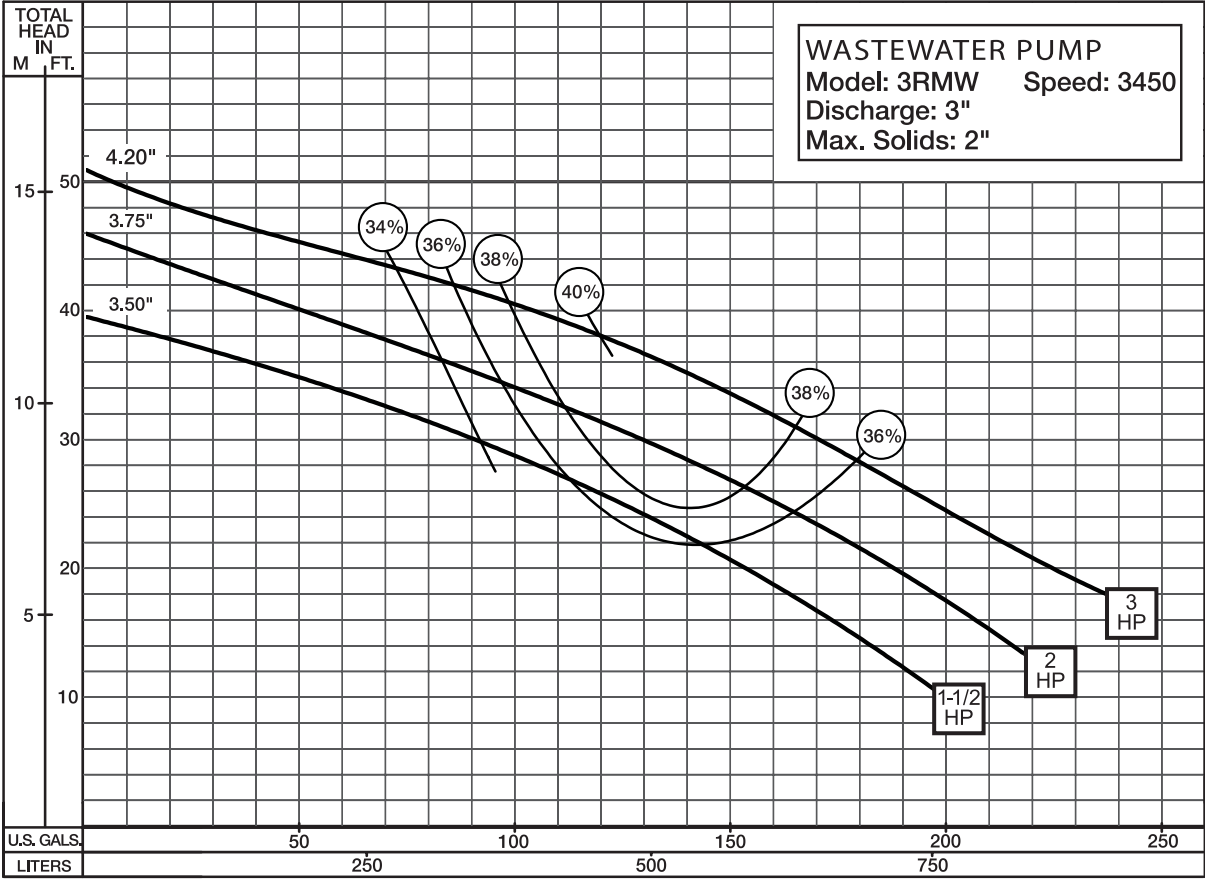
VORTEX WASTEWATER PUMPS 3RMW SERIES

1750 RPM PERFORMANCE CURVE



AVAILABLE MODELS	MOTOR ELECTRICAL DATA								
	MODEL	HP	PH	VOLTS	HZ	START AMPS	RUN AMPS	RUN KW	START KVA
3RMW15M4-01	1.5	1	208	60	39.9	16.6	2.7	8.3	A
3RMW15M4-21	1.5	1	230	60	33.4	15	2.3	7.7	A
3RMW15M4-03	1.5	3	208	60	45	11	2.2	16.2	F
3RMW15M4-23	1.5	3	230	60	48	10	2.2	19.1	H
3RMW15M4-43	1.5	3	460	60	24	5	2.2	19.1	H
3RMW15M4-53	1.5	3	575	60	19	4	2.2	18.9	H
3RMW20M4-01	2	1	208	60	39.9	17.7	3.4	8.3	A
3RMW20M4-21	2	1	230	60	33.4	16	3	7.7	A
3RMW20M4-03	2	3	208	60	45	13	2.9	16.2	F
3RMW20M4-23	2	3	230	60	48	12	2.9	19.1	H
3RMW20M4-43	2	3	460	60	24	6	2.9	19.1	H
3RMW20M4-53	2	3	575	60	19	4.8	2.9	18.9	H
3RMW30M4-21	3	1	230	60	33.4	20	3.8	7.7	A
3RMW30M4-03	3	3	208	60	45	15	3.5	16.2	F
3RMW30M4-23	3	3	230	60	48	13.5	3.5	19.1	H
3RMW30M4-43	3	3	460	60	24	6.8	3.5	19.1	H
3RMW30M4-53	3	3	575	60	19	5.5	3.5	18.9	H

3450 RPM PERFORMANCE CURVE



AVAILABLE MODELS	MOTOR ELECTRICAL DATA								
	MODEL	HP	PH	VOLTS	HZ	START AMPS	RUN AMPS	RUN KW	START KVA
3RMW15M2-01	1.5	1	208	60	39.9	14.8	3.3	8.3	F
3RMW15M2-21	1.5	1	230	60	33.4	12.8	3	7.7	F
3RMW15M2-03	1.5	3	208	60	30	8.8	2.7	10.8	J
3RMW15M2-23	1.5	3	230	60	32	8	2.7	12.8	K
3RMW15M2-43	1.5	3	460	60	16	4	2.7	12.8	K
3RMW15M2-53	1.5	3	575	60	13	3.2	2.7	13.0	K
3RMW20M2-01	2	1	208	60	63	17.7	3.5	13.1	D
3RMW20M2-21	2	1	230	60	63	16	3.5	14.5	E
3RMW20M2-03	2	3	208	60	53	13	3.4	19.1	H
3RMW20M2-23	2	3	230	60	50	12	3.4	19.9	H
3RMW20M2-43	2	3	460	60	25	6	3.4	19.9	H
3RMW20M2-53	2	3	575	60	20	4.8	3.4	19.9	H
3RMW30M2-21	3	1	230	60	63	19	4.3	14.5	E
3RMW30M2-03	3	1	208	60	53	14.7	4.2	19.1	H
3RMW30M2-23	3	3	230	60	50	13.3	4.2	19.9	H
3RMW30M2-43	3	3	460	60	25	6.7	4.2	19.9	H
3RMW30M2-53	3	3	575	60	20	5.2	4.2	19.9	H

ORDERING INFORMATION

VORTEX WASTEWATER PUMPS 3RMW SERIES

MODEL NUMBER	ENGINEERING NUMBER	HP	MAX CAPACITY	MAX HEAD	DISCHARGE NPT	SOLIDS HANDLING	VOLTS	FULL LOAD AMPS	PHASE	CORD LENGTH	SWITCH
3RMW15M4-01	27768E000	1-1/2	220	26	3"	2-1/2"	200	16.6	1	20'	M
3RMW15M4-21	27768E001	1-1/2	220	26	3"	2-1/2"	230	15.0	1	20'	M
3RMW15M4-03	27768E002	1-1/2	220	26	3"	2-1/2"	200	11.0	3	20'	M
3RMW15M4-23	27768E003	1-1/2	220	26	3"	2-1/2"	230	10.0	3	20'	M
3RMW15M4-43	27768E004	1-1/2	220	26	3"	2-1/2"	460	5.0	3	20'	M
3RMW15M4-53	27768E005	1-1/2	220	26	3"	2-1/2"	575	4.0	3	20'	M
3RMW20M4-01	27768E010	2	250	31	3"	2-1/2"	200	17.7	1	20'	M
3RMW20M4-21	27768E011	2	250	31	3"	2-1/2"	230	16.0	1	20'	M
3RMW20M4-03	27768E012	2	250	31	3"	2-1/2"	200	13.0	3	20'	M
3RMW20M4-23	27768E013	2	250	31	3"	2-1/2"	230	12.0	3	20'	M
3RMW20M4-43	27768E014	2	250	31	3"	2-1/2"	460	6.0	3	20'	M
3RMW20M4-53	27768E015	2	250	31	3"	2-1/2"	575	4.8	3	20'	M
3RMW30M4-21	27768E021	3	280	36	3"	2-1/2"	230	20.0	1	20'	M
3RMW30M4-03	27768E022	3	280	36	3"	2-1/2"	200	15.0	3	20'	M
3RMW30M4-23	27768E023	3	280	36	3"	2-1/2"	230	13.5	3	20'	M
3RMW30M4-43	27768E024	3	280	36	3"	2-1/2"	460	6.8	3	20'	M
3RMW30M4-53	27768E025	3	280	36	3"	2-1/2"	575	5.5	3	20'	M
3RMW15M2-01	27766E010	1-1/2	200	40	3"	2"	200	14.8	1	20'	M
3RMW15M2-21	27766E011	1-1/2	200	40	3"	2"	230	12.8	1	20'	M
3RMW15M2-03	27766E012	1-1/2	200	40	3"	2"	200	8.8	3	20'	M
3RMW15M2-23	27766E013	1-1/2	200	40	3"	2"	230	8.0	3	20'	M
3RMW15M2-43	27766E014	1-1/2	200	40	3"	2"	460	4.0	3	20'	M
3RMW15M2-53	27766E015	1-1/2	200	40	3"	2"	575	3.2	3	20'	M
3RMW20M2-01	27766E020	2	220	46	3"	2"	200	17.7	1	20'	M
3RMW20M2-21	27766E021	2	220	46	3"	2"	230	16.0	1	20'	M
3RMW20M2-03	27766E022	2	220	46	3"	2"	200	13.0	3	20'	M
3RMW20M2-23	27766E023	2	220	46	3"	2"	230	12.0	3	20'	M
3RMW20M2-43	27766E024	2	220	46	3"	2"	460	6.0	3	20'	M
3RMW20M2-53	27766E025	2	220	46	3"	2"	575	4.8	3	20'	M
3RMW30M2-21	27766E030	3	240	51	3"	2"	230	19.0	1	20'	M
3RMW30M2-03	27766E031	3	240	51	3"	2"	200	14.7	3	20'	M
3RMW30M2-23	27766E032	3	240	51	3"	2"	230	13.3	3	20'	M
3RMW30M2-43	27766E033	3	240	51	3"	2"	460	6.7	3	20'	M
3RMW30M2-53	27766E034	3	240	51	3"	2"	575	5.2	3	20'	M
3RMW15DM4-01	27769E000	1-1/2	220	26	3"	2-1/2"	200	16.6	1	20'	M
3RMW15DM4-21	27769E001	1-1/2	220	26	3"	2-1/2"	230	15.0	1	20'	M
3RMW15DM4-03	27769E002	1-1/2	220	26	3"	2-1/2"	200	11.0	3	20'	M
3RMW15DM4-23	27769E003	1-1/2	220	26	3"	2-1/2"	230	10.0	3	20'	M
3RMW15DM4-43	27769E004	1-1/2	220	26	3"	2-1/2"	460	5.0	3	20'	M
3RMW15DM4-53	27769E005	1-1/2	220	26	3"	2-1/2"	575	4.0	3	20'	M
3RMW20DM4-01	27769E010	2	250	31	3"	2-1/2"	200	17.7	1	20'	M
3RMW20DM4-21	27769E011	2	250	31	3"	2-1/2"	230	16.0	1	20'	M
3RMW20DM4-03	27769E012	2	250	31	3"	2-1/2"	200	13.0	3	20'	M
3RMW20DM4-23	27769E013	2	250	31	3"	2-1/2"	230	12.0	3	20'	M
3RMW20DM4-43	27769E014	2	250	31	3"	2-1/2"	460	6.0	3	20'	M
3RMW20DM4-53	27769E015	2	250	31	3"	2-1/2"	575	4.8	3	20'	M
3RMW30DM4-21	27769E021	3	280	36	3"	2-1/2"	230	20.0	1	20'	M
3RMW30DM4-03	27769E022	3	280	36	3"	2-1/2"	200	15.0	3	20'	M
3RMW30DM4-23	27769E023	3	280	36	3"	2-1/2"	230	13.5	3	20'	M
3RMW30DM4-43	27769E024	3	280	36	3"	2-1/2"	460	6.8	3	20'	M
3RMW30DM4-53	27769E025	3	280	36	3"	2-1/2"	575	5.5	3	20'	M
3RMW15DM2-01	27767E010	1-1/2	200	40	3"	2"	200	14.8	1	20'	M
3RMW15DM2-21	27767E011	1-1/2	200	40	3"	2"	230	12.8	1	20'	M
3RMW15DM2-03	27767E012	1-1/2	200	40	3"	2"	200	8.8	3	20'	M
3RMW15DM2-23	27767E013	1-1/2	200	40	3"	2"	230	8.0	3	20'	M
3RMW15DM2-43	27767E014	1-1/2	200	40	3"	2"	460	4.0	3	20'	M
3RMW15DM2-53	27767E015	1-1/2	200	40	3"	2"	575	3.2	3	20'	M
3RMW20DM2-01	27767E020	2	220	46	3"	2"	200	17.7	1	20'	M
3RMW20DM2-21	27767E021	2	220	46	3"	2"	230	16.0	1	20'	M
3RMW20DM2-03	27767E022	2	220	46	3"	2"	200	13.0	3	20'	M
3RMW20DM2-23	27767E023	2	220	46	3"	2"	230	12.0	3	20'	M
3RMW20DM2-43	27767E024	2	220	46	3"	2"	460	6.0	3	20'	M
3RMW20DM2-53	27767E025	2	220	46	3"	2"	575	4.8	3	20'	M
3RMW30DM2-21	27767E030	3	240	51	3"	2"	230	19.0	1	20'	M
3RMW30DM2-03	27767E031	3	240	51	3"	2"	200	14.7	3	20'	M
3RMW30DM2-23	27767E032	3	240	51	3"	2"	230	13.3	3	20'	M
3RMW30DM2-43	27767E033	3	240	51	3"	2"	460	6.7	3	20'	M
3RMW30DM2-53	27767E034	3	240	51	3"	2"	575	5.2	3	20'	M



293 Wright St
 Delavan, WI 53115
 Ph: 888.987.8677
 Fx: 800.426.9446

490 Pinebush Rd, Unit 4
 Cambridge, Ontario N1T 0A5, Canada
 Ph: 800.363.7867
 Fx: 888.606.5484

pentair.com

All indicated Pentair trademarks and logos are property of Pentair. Third party registered and unregistered trademarks and logos are the property of their respective owners. Because we are continuously improving our products and services, Pentair reserves the right to change specifications without prior notice. Pentair is an equal opportunity employer.