



2C and I2C Series

Two-Stage Centrifugal Pumps



Myers two-stage centrifugal pumps deliver high performance with a rugged design for years of trouble-free service. The 2-stage pumps are available as a complete pump and motor assembly, or pump end only. The fully assembled pump end quickly mounts to a NEMA 56C motor. The pumps will easily prime up to 15 feet of total suction lift. The dynamically balanced impellers produce steady, quiet and vibration-free performance at all pressures.

APPLICATIONS

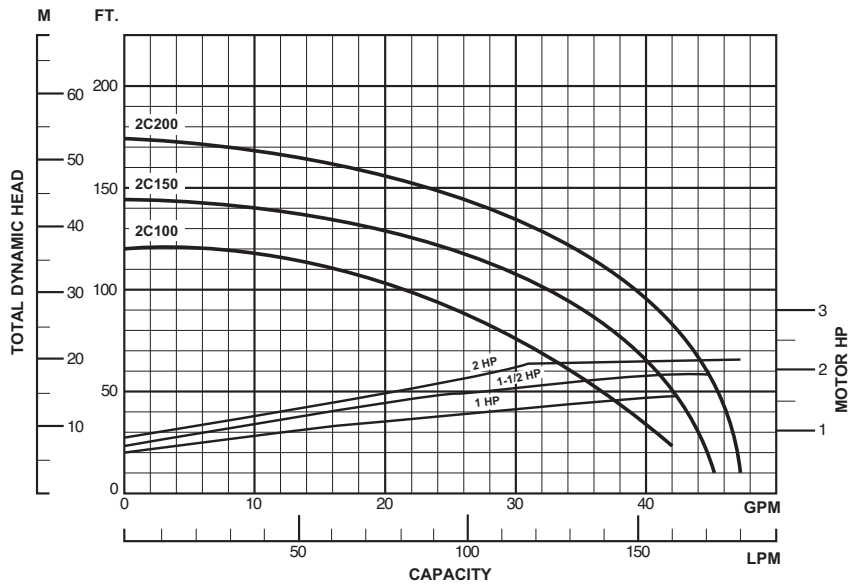
- ◆ Booster service
- ◆ Irrigation
- ◆ Cold and hot water circulation
- ◆ Fluid transfer
- ◆ Boiler feed
- ◆ Car wash installations
- ◆ Water reclamation
- ◆ Water supply
- ◆ Golf course sprinkling
- ◆ General industrial and commercial applications
- ◆ Jobs requiring pumping clear or noncorrosive liquids.

SPECIFICATIONS

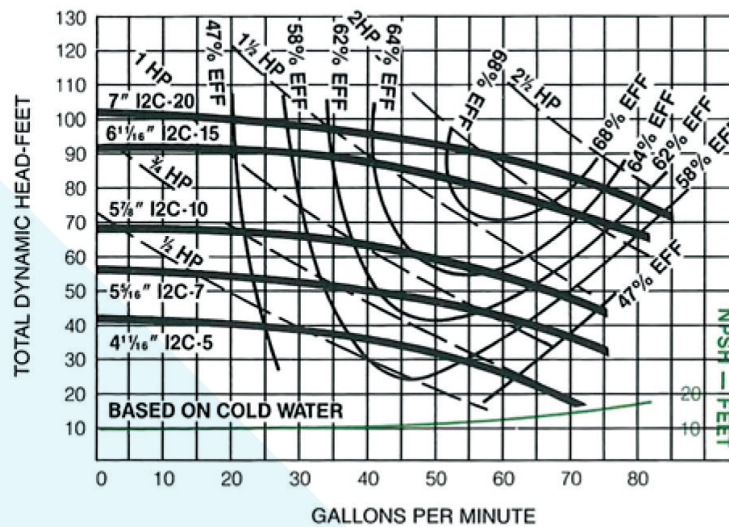
- ◆ **Volute Case:** High tensile gray iron casting with wear rings. Threaded discharge tapping rotates to 8 positions.
- ◆ **Seal Bracket:** High tensile gray iron casting with threaded suction tapping. Seal bracket has oil chamber to lubricate and cool the seal face.
- ◆ **Drain Plugs:** Plugs are conveniently located so case can be completely drained in any discharge position.
- ◆ **Bearing Bracket:** Heavy duty bracket provides rigid support for liquid end. Holds shaft bearings in perfect alignment with pump case for quiet operation.
- ◆ **Shaft Bearings:** Heavy duty ball bearings, sealed on outboard side, lubricated at the factory.
- ◆ **Impellers:** Dual enclosed impellers are hydraulically and dynamically balanced. Mounted back-to-back for reduced axial thrust, results in vibration free operation and minimum bearing load. I2C has bronze impellers and I2CI has epoxy coated, high tensile gray iron impellers.
- ◆ **Wear Rings:** Replaceable wear rings and interstage bushings help to eliminate wear of the casting in the impeller hub and ring area. Bronze in I2C, Ni-Resist in I2CI.
- ◆ **Mechanical Shaft Seal:** Located on suction side to provide lower pressure differential and longer seal life and maximum positive inlet pressure of 75 PSI. Standard seal will accommodate 220°F. Please consult factory for special seal applications.
- ◆ **Pump Shaft:** Manufactured from tough corrosion resistant 416 stainless steel.
- ◆ **Rubber Deflector:** Molded rubber deflector protects bearings from moisture and dirt.
- ◆ **Snap Ring:** Carbon steel ring holds bearing/shaft assembly in place, prevents axial movement of the bearings and shaft.
- ◆ **Motor (Frame Mounted Units):** General purpose, 3450 RPM open drip proof. 230/460 volt motor is standard. TEFC motors available on request. Frame mounted units use a flexible coupling for easy motor or pump replacement. Mounted on a heavy-duty welded steel base.

2C and I2C Series Two-Stage Centrifugal Pumps

2C PERFORMANCE CURVES: 3450 RPM

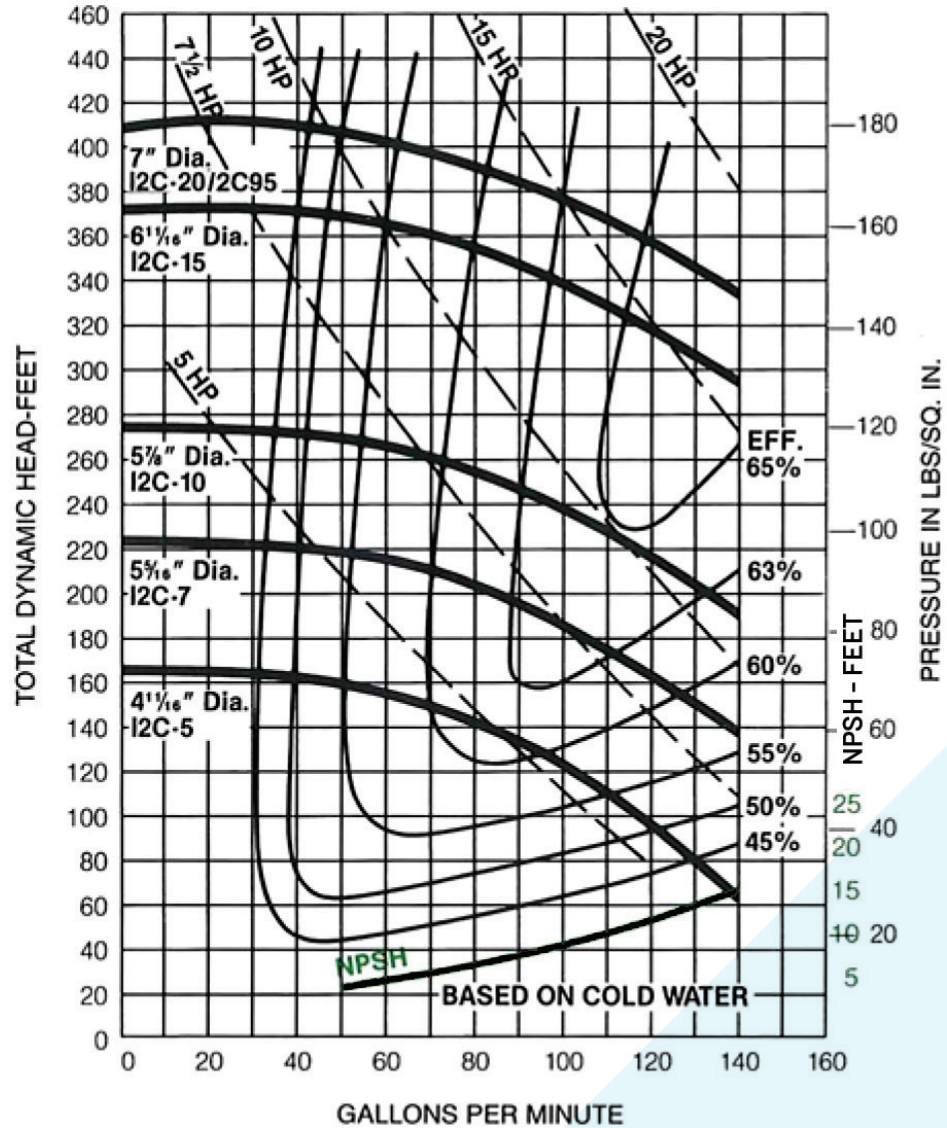


I2C PERFORMANCE CURVES: 1700 RPM



2C and I2C Series Two-Stage Centrifugal Pumps

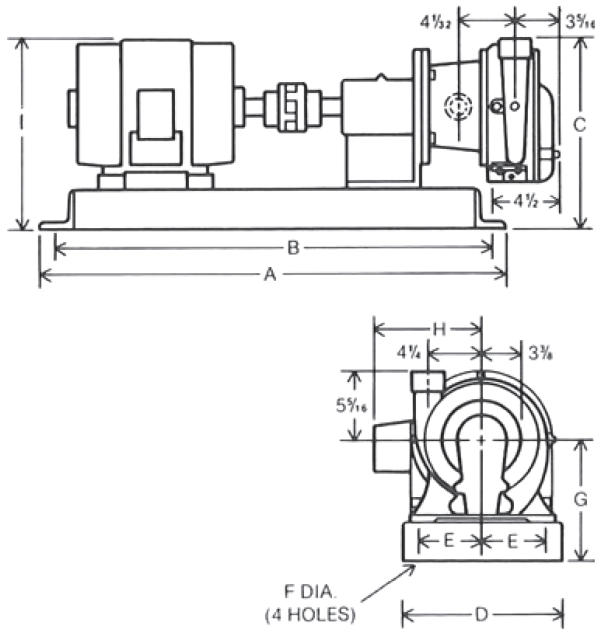
I2C PERFORMANCE CURVES: 3450 RPM



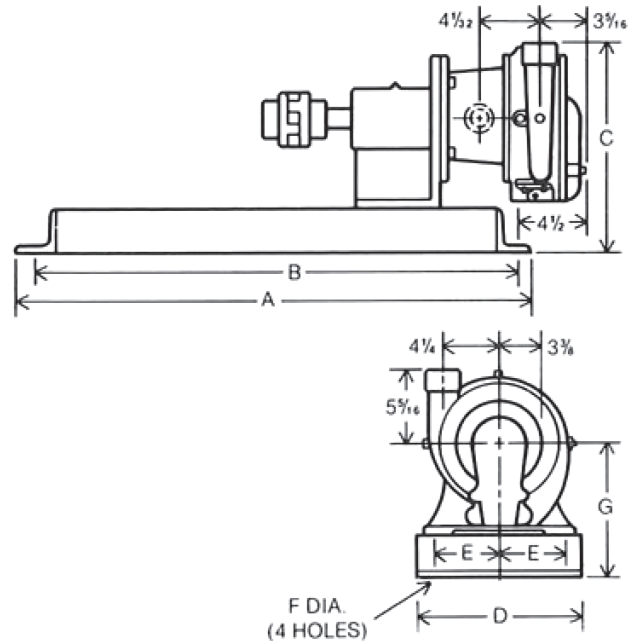
2C and I2C Series Two-Stage Centrifugal Pumps

PUMP DIMENSIONS

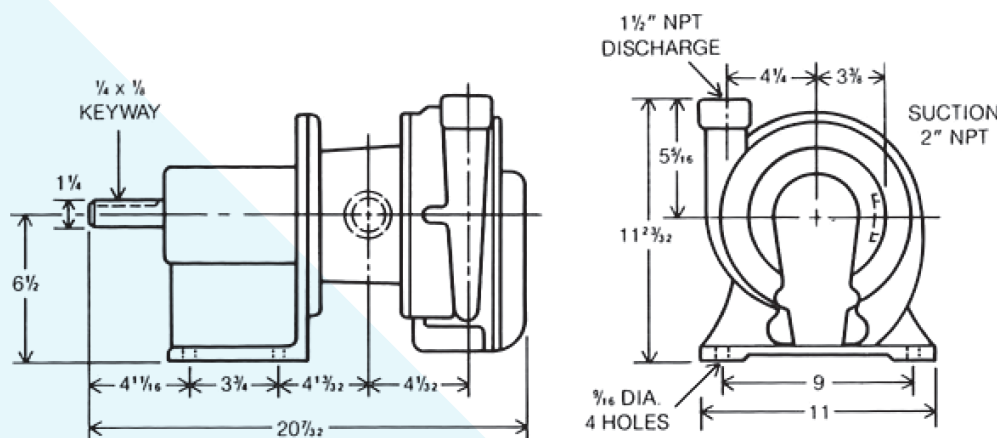
I2C FRAME MOUNTED (WITH MOTOR)



I2C FRAME MOUNTED (LESS MOTOR)



I2C BASIC PUMP



2C and I2C Series Two-Stage Centrifugal Pumps

2C ORDERING INFORMATION: 3450 RPM

CATALOG NUMBER		MOTOR		CAPACITY - U.S. GALLONS PER MINUTE						SUCTION PIPE	DISCHARGE PIPE
COMPLETE UNIT	PUMP END	HP	VOLTS	DISCHARGE PRESSURES							
				10	20	30	40	50	60		
2C100	2C100PE	1	115/230	42	37	31	23	14	-	1-1/4"	3/4"
2C150	2C150PE	1-1/2	115/230	45	42	39	34	27	10	1-1/4"	1"
2C200	2C200PE	2	230	47	46	44	41	35	27	1-1/4"	1"

I2C ORDERING INFORMATION: FRAME MOUNTED (WITH MOTOR)

CATALOG NO.	ENGR. NO.	MOTOR HP	PUMP SHAFT DIA.	MOTOR SHAFT DIA.	DIMENSIONS, INCHES									APPROX. SHIP WT. LBS.
					A	B	C	D	E	F	G	H	I	
I2CB-SM	17375B999*	5	1 1/4"	1 1/8"	37	35	14 13/16	12	5	5/8	9 1/2	8 1/16	14 13/16	386
I2CIB-5M	17375B998*													
I2CB-SM	17375B004	5	1 1/4"	1 1/8"	37	35	14 13/16	12	5	5/8	9 1/2	8 1/16	14 13/16	356
I2CIB-SM	17375B034													
I2CB-7M	17375B003	7 1/2	1 1/4"	1 1/8"	37	35	14 13/16	12	5	5/8	9 1/2	8 1/16	14 13/16	360
I2CIB-7M	17375B033													
I2CB8-10M	17375B002	10	1 1/4"	1 3/8"	42	40	15 5/16	15	6 1/2	11/16	10	8 7/8	15 5/16	400
I2CIB-10M	17375B032													
I2CB-15M	17375B001	15	1 1/4"	1 3/8"	42	40	15 5/16	15	6 1/2	11/16	10	8 7/8	15 5/16	440
I2CIB-15M	17375B031													
I2CB-20M	17375B000	20	1 1/4"	1 5/8"	42	40	15 5/16	15	6 1/2	11/16	10	9 11/16	15 5/16	500
I2CIB-20M	17375B030													

*Single Phase

I2C ORDERING INFORMATION: FRAME MOUNTED (LESS MOTOR)

CATALOG NO.	ENGR. NO.	RECOM. MOTOR HP AND FRAME	PUMP SHAFT DIA.	MOTOR SHAFT DIA.	DIMENSIONS, INCHES								APPROX. SHIP WT. LBS.
					A	B	C	D	E	F	G		
I2CB-5	17375B014	5	1 1/4"	1 1/8"	37	35	14	12	5	5/8	9	10	250
I2CIB-5	17375B039	182T					13/16						
I2CB-7	17375B013	7 1/2	1 1/4"	1 1/8"	37	35	14	12	5	5/8	9	10	250
I2CIB-7	17375B038	184T					13/16						
I2CB-10	17375B012	10	1 1/4"	1 3/8"	42	40	15	15	6 1/2	11/16	10	250	
I2CIB-10	17375B037	213T					5/16						
I2CB-15	17375B011	15	1 1/4"	1 3/8"	42	40	15	15	6 1/2	11/16	10	250	
I2CIB-15	17375B036	215T					5/16						
I2CB-20	17375B010	20	1 1/4"	1 5/8"	42	40	15	15	6 1/2	11/16	10	250	
I2CIB-20	17375B035	254T					5/16						



2C and I2C Series Two-Stage Centrifugal Pumps

I2C ORDERING INFORMATION: BASIC PUMPS

CATALOG NO.	ENGR. NO.	STANDARD IMPELLER DIA.	APPROX. SHIP WT. LBS.
I2C-5	15034E014	4 11/16"	125
I2CI-S	15034E034		
I2C-7	15034E013	5 5/16"	125
I2CI-7	15034E033		
I2C-10	15034E012	5 7/8"	125
I2CI-10	15034E032		
I2C-15	15034E011	6 11/16"	125
I2CI-15	15034E031		
I2C-20	15034E010	7"	125
I2CI-20/2C95	15034E001		



293 Wright Street,
Delavan, WI 53115
USA
Ph: 888.782.7483
Orders Fax: 800.426.9446

490 Pinebush Road
Unit 4
Cambridge, Ontario N1T 0A5
Canada
Ph: 800.363.7867
Orders Fax: 888.606.5484

pentair.com

All indicated Pentair trademarks and logos are property of Pentair. Third party registered and unregistered trademarks and logos are the property of their respective owners. Because we are continuously improving our products and services, Pentair reserves the right to change specifications without prior notice. Pentair is an equal opportunity employer.

K3149(01-08-2021) ©2021 Pentair. All Rights Reserved.