

CENTRIFUGAL PUMP

SELF-PRIMING TYPE B MOTOR DRIVEN

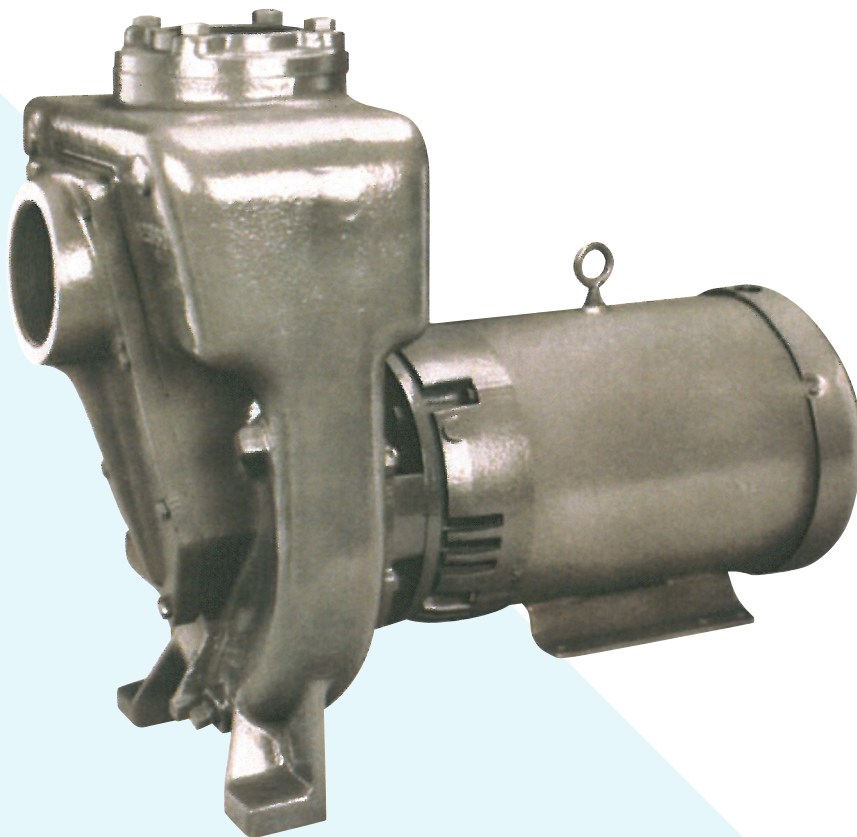
All cast iron construction combined with a unique pump body design that provides fast priming, easy service access, and dependable performance.

APPLICATIONS

- ◆ Transfer pumps for filling vats, tanks, and spraying rigs.
- ◆ All iron construction ideal for use with emulsion base pesticides and weed killers.
- ◆ Stand-by fire protection for marinas, vacation, and residential properties.
- ◆ High suction lift of 25 feet permits installation as remote sump pump.
- ◆ De-watering pumps for draining excavations, ditches, and flooded basements.
- ◆ Irrigation pumps for lawns, gardens, and moderate size farms.

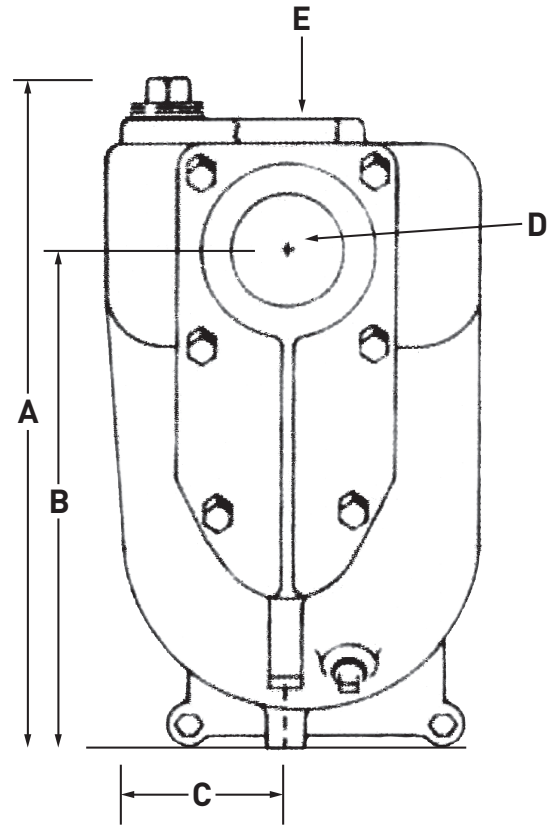
FEATURES

- ◆ **Volute Case:** All iron construction. Port Sizes: 2-4" NPT suction and discharge ports on centerline. Winterizing drain 1/4" NPT.
- ◆ **Suction:** Intake placed high for improved priming.
- ◆ **Check Valve:** Rapid action valve eliminates back flow, retains prime in suction line. External check valve not required.
- ◆ **Impeller:** Semi-open design, accurately balanced. Will pass small solids.
- ◆ **Mechanical Shaft Seal:** High quality with corrosion resistant metal parts.



OUTLINE DIMENSIONS

MODEL	HP	A	B	C	D	E
B2XPKS	1 / 1/2"	13 1/4"	10 1/2"	4"	2"	2"
B2XPK5	2"	13 1/4"	10 1/2"	4"	2"	2"
B2XPKS	3"	13 1/4"	10 1/2"	4"	2"	2"
83TPKS	1 / 1/2"	19 7/8"	17"	8 7/8"	3"	3"
83TPKS	2"	19 7/8"	17"	8 7/8"	3"	3"
83TPKS	3"	19 7/8"	17"	8 7/8"	3"	3"
B3TPKLS	1.5"	19 7/8"	17"	8 7/8"	3"	3"
84TPKLS	3"	22"	16 5/8"	8 7/8"	4"	4"
B4TPKHS	5"	28 1/2"	21 1/8"	16 3/8"	4"	4"
84ZPKS	5"	28 1/2"	21 1/8"	16 3/8"	4"	4"
B4ZPKS	7 1/2"	28 1/2"	21 1/8"	16 3/8"	4"	4"
84ZPKS	10"	28 1/2"	21 1/8"	16 3/8"	4"	4"



293 Wright Street | Delavan, WI 53115 | Ph: 800.365.6832 | Fx: 800.526.3757 | pentair.com

All indicated Pentair trademarks and logos are property of Pentair. Third party registered and unregistered trademarks and logos are the property of their respective owners. Because we are continuously improving our products and services, Pentair reserves the right to change specifications without prior notice. Pentair is an equal opportunity employer.

©2021 Pentair. All Rights Reserved.

B3055 (09-29-21)