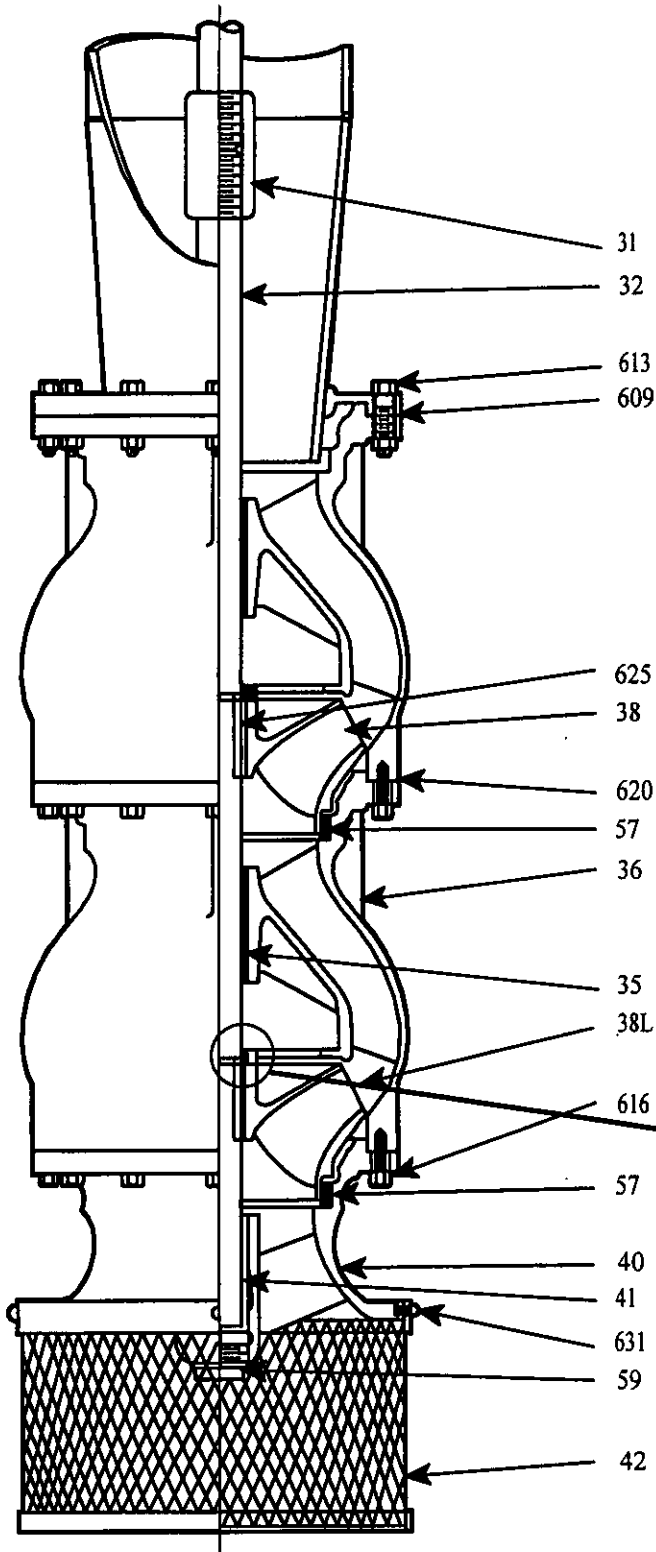


30K, 36EH Bowl Assembly Open Line Shaft Flanged Column



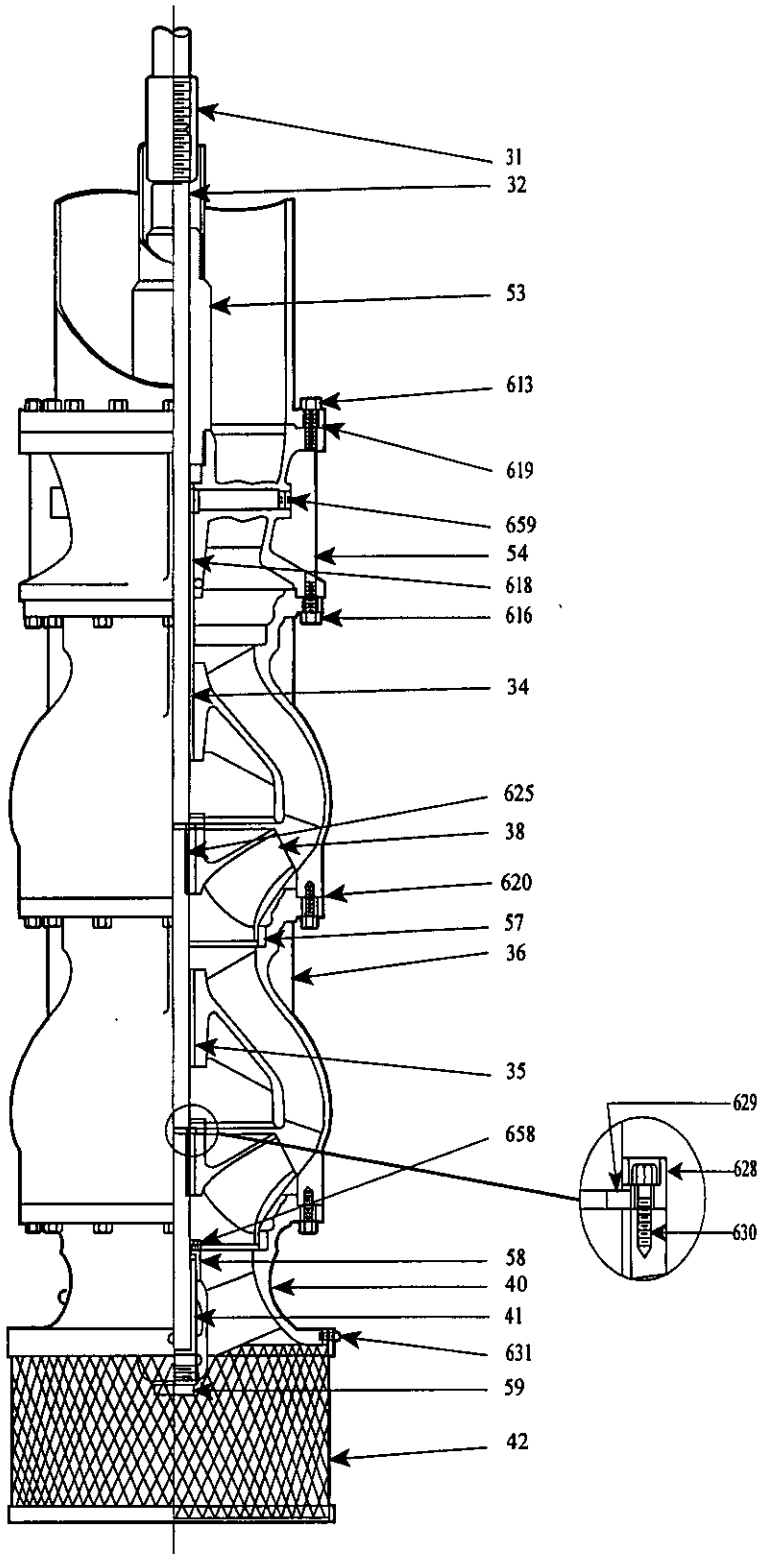
Item No.	Part Name	Material	
		Standard	Optional
31	Imp. Shaft Coupling	Steel	
32	Imp. Shaft	416 S.S.	
35	Bearing, Bowl	Bronze	
36	Bowl	C.I. CL. 30	
38	Impeller	Bronze	
40	Suction Bell	C.I. CL. 30	
41	Bearing, Suction	Bronze	
42	Strainer	Glv. Stl.	
57	Wear Ring	Bronze	
59	Plug, Suction Bell	Cast Iron	
613	Fastener, Col/Bowl	Steel	
616	Fastener, Bowl Joints	Steel	
625	Key, Impeller	Stn. Stl.	
628	Retainer, Thrust Ring	Bronze	
629	Split Thrust Ring	Stn. Stl.	
630	Fastener, Retainer	Stn. Stl.	
631	Fastener, Strainer	Stn. Stl.	
620	Gasket, Bowl	-----	

CROSS-SECTIONAL DRAWING

DRAWING NO. _____

DATE: _____

30K, 36EH Bowl Assembly Enclosed Line Shaft Flanged Discharge Case



Item No.	Part Name	Material	
		Standard	Optional
660	Bowl Assy	-----	
31	Imp. Shaft Coupling	Steel	
32	Imp. Shaft	416 S.S.	
34	Bearing, Top Bowl	Bronze	
35	Bearing, Bowl	Bronze	
36	Bowl	C.I. CL. 30	
38	Impeller	Bronze	
40	Suction Bell	C.I. CL. 30	
41	Bearing, Suction	Bronze	
42	Strainer	GLV. STL	
53	Tube Adaptor	Bronze	
54	Discharge Case	C.I. CL. 30	
57	Wear Ring	Bronze	
58	Sand Collar	Bronze	
59	Suction Plug	Cast Iron	
613	Cap Screw, Bowl/Col.	Steel	
616	Cap Screw, Bowl	Steel	
618	Bearing, Disch Case	Bronze	
619	Gasket, Bowl/Col	-----	
620	Gasket, Bowl	-----	
625	Key, Impeller	Stn. Stl.	
628	Retainer, Thrust Ring	Bronze	
629	Split Thrust Ring	Stn. Stl.	
630	Cap Screw, Thrust Ring	Stn. Stl.	
631	Machine Screw, Strainer	Stn. Stl.	
658	Set Screw, Collar	Stn. Stl.	
659	Plug, Relief Ports (2)	Cast Iron	

CROSS-SECTIONAL DRAWING

DRAWING NO. _____

DATE: _____