



A Marley Company
LAYNE & BOWLER, INC.
 MEMPHIS, TN 38108 USA

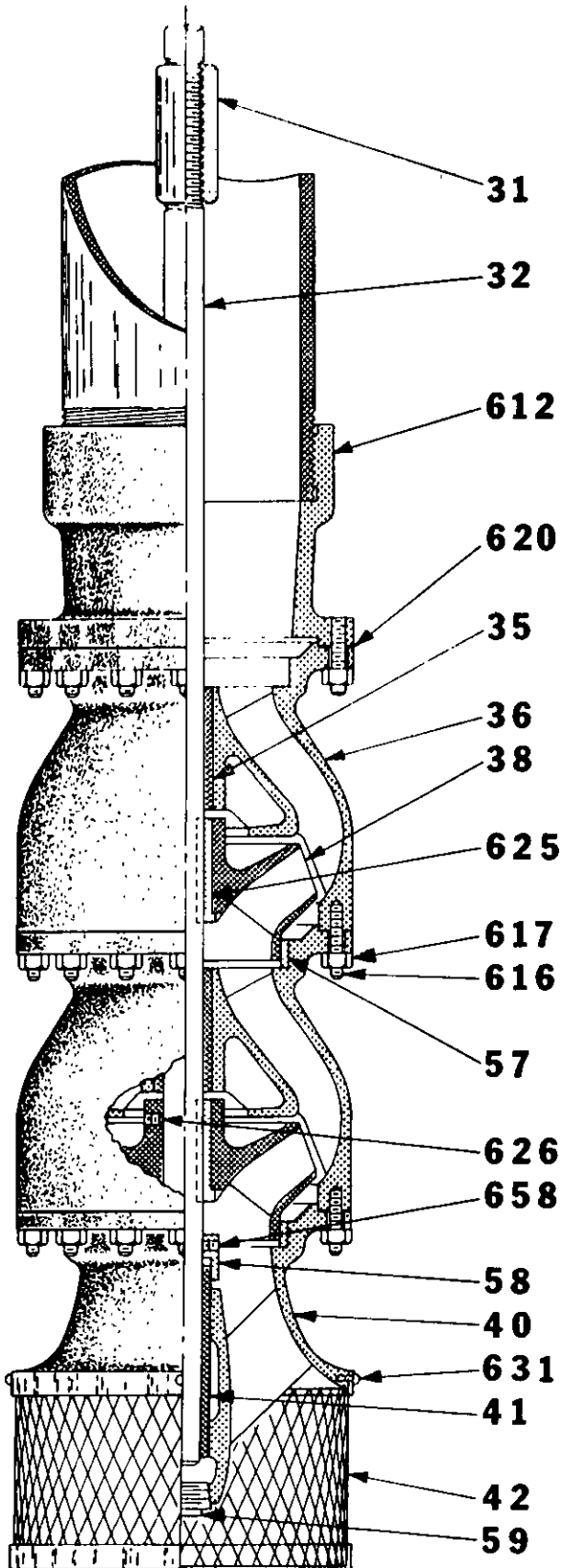
SECTIONAL DRAWING

17DRO, 18RK SHORT COUPLED BOWLS

OPEN LINE SHAFT

THREADED DISCHARGE CONN.

SECTION 4100
 DRWG. NO. 8511-B03C
 DATE Nov. 1, 1978
 SUPERSEDES June '77



NO ITFM	PART NAME	MATERIAL	
		STD	OPTIONAL
660	BOWL ASSY	----	
* 31	IMP. SHAFT COUPLING	STEEL	
32	IMPELLER SHAFT	410SS	
35	BEARING, INT	BRONZE	
36	INTERMEDIATE	C. I CL30	
38	IMPELLER	BRONZE	
40	SUCTION BELL	C. I CL30	
41	BEARING, SUCTION	BRONZE	
◆ 42	STRAINER	STEEL	
57	WEAR RING	BRONZE	
■ 58	SAND COLLAR	BRONZE	
■ 59	SUCTION PLUG	CI	
612	ADAPTOR, DISCHARGE	C I CL30	
616	STUD, BOWL	H. T. STL	
617	HEX NUT, BOWL	STEEL	
△ 620	GASKET, BOWL	----	
625	GIB KEY, IMPELLER	STN. STL	
626	SET SCREW, IMPELLER	STN. STL.	
631	MACHSCREW STRAINER	STN. STL.	
658	SET SCREW, COLLAR	STN. STL.	

* NOT FURNISHED FOR DIRECT CONNECT UNITS

◆ OPTIONAL-FURNISHED ONLY WHEN SPECIFIED.

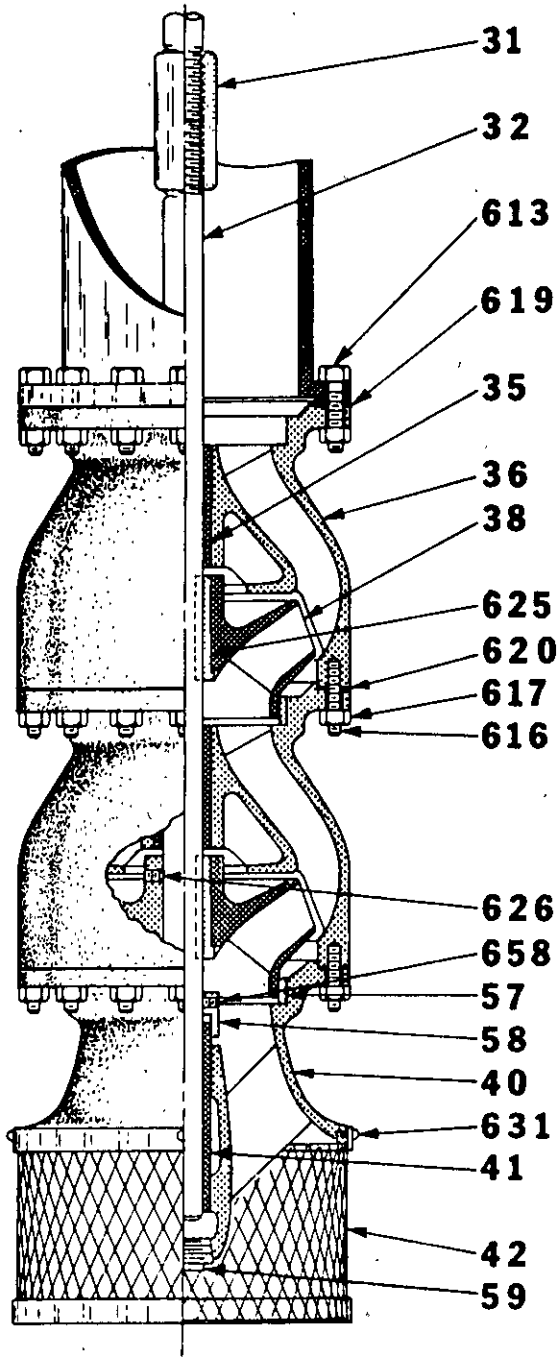
■ NOT FURNISHED WHEN AN OPTIONAL SYNTHETIC SUCTION BEARING MATERIAL IS SPECIFIED.

△ OPTIONAL-FURNISHED WHEN SPECIFIED OR WHEN REQUIRED DUE TO BOWL PRESSURE LIMITATIONS.

NOTE:
 THIS DRWG ALSO COVERS THE FOLLOWING INACTIVE BOWLS:
 17DR, 18SKH

SECTIONAL DRAWING
17DRO, 18RK SHORT COUPLED BOWLS
OPEN LINE SHAFT
FLANGED DISCHARGE' CONN.

SECTION 4100
 DRWG. NO. 8511-805B
 DATE Nov. 1, 1978
 SUPERSEDES June '77



NO. ITEM	PART NAME	MATERIAL	
		STD	OPTIONAL
660	BOWL ASSY	----	
* 31	IMP. SHAFT COUPLING	STEEL	
32	IMPELLER SHAFT	410SS	
35	BEARING, INT	BRONZE	
36	INTERMEDIATE	C.I. CL 30	
38	IMPELLER	BRONZE	
40	SUCTION BELL	C.I. CL 30	
41	BEARING, SUCTION	BRONZE	
◆ 42	STRAINER	STEEL	
57	WEAR RING	BRONZE	
■ 58	SAND COLLAR	BRONZE	
■ 59	SUCTION PLUG	C.I.	
● 613	MACH BOLT, BOWL/COL	STEEL	
616	STUD, BOWL	H.T. STL	
617	HEX NUT BOWL	STEEL	
△ 619	GASKET, BOWL/COL	----	
△ 620	GASKET, BOWL	----	
625	GIB KEY, IMPELLER	STN. STL.	
626	SET SCREW, IMPELLER	STN. STL.	
631	MACH. SCREW, STRAINER	STN. STL.	
658	SET SCREW, COLLAR	STN. STL.	

* NOT FURNISHED FOR DIRECT CONNECT UNITS.

◆ OPTIONAL-FURNISHED ONLY WHEN SPECIFIED.

■ NOT FURNISHED WHEN AN OPTIONAL SYNTHETIC SUCTION BEARING MATERIAL IS SPECIFIED.

△ OPTIONAL-FURNISHED WHEN SPECIFIED OR WHEN REQUIRED DUE TO BOWL PRESSURE LIMITATIONS.

● FOR DIRECT CONNECT UNITS, ITEM 613 IS A CAPSCREW-STEEL

NOTE.
 THIS DRWG. ALSO COVERS THE FOLLOWING INACTIVE BOWLS
 17DR, 18SKH

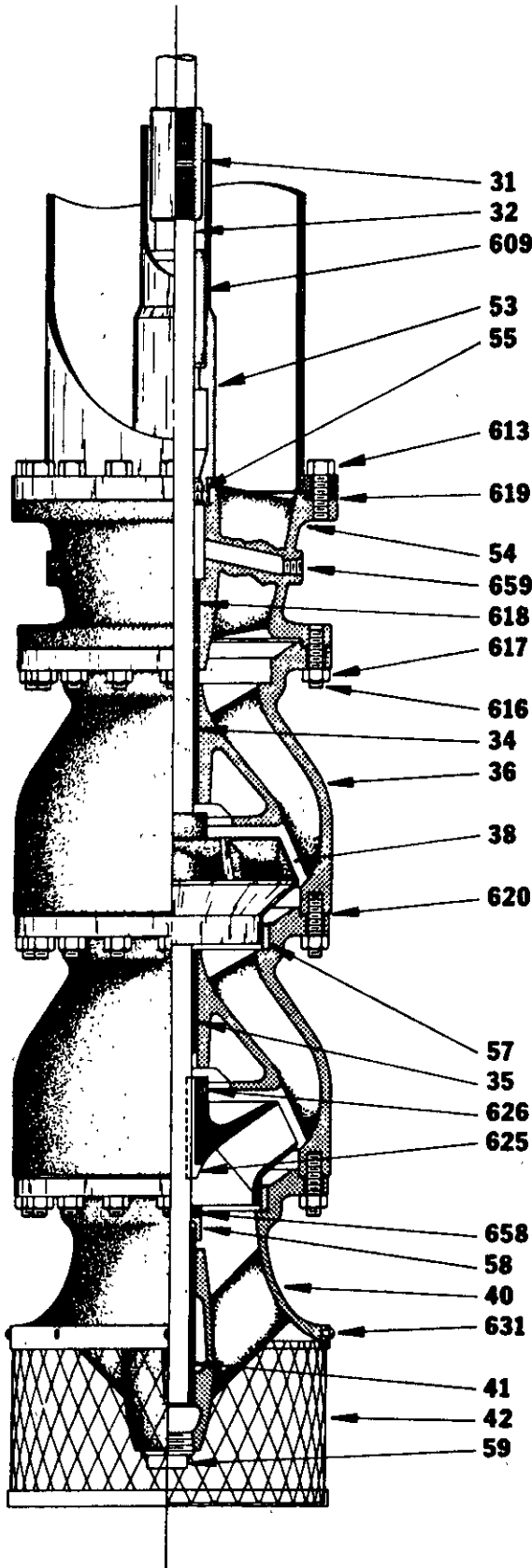


A Marley Company
LAYNE & BOWLER, INC.
 MEMPHIS, TN 38108 USA

SECTIONAL DRAWING

17 DRO, 18 RK SHORT COUPLED BOWLS ENCLOSED LINE SHAFT FLANGED DISCHARGE CONN.

SECTION 4100
 DRWG. NO.8511-B14A
 DATE Nov. 1, 1978
 SUPERSEDES



ITEM NO	PART NAME	MATERIAL	
		STD	OPTIONAL
660	BOWL ASSY	---	---
31	IMP. SHAFT COUPLING	STEEL	
32	IMPELLER SHAFT	410SS	
34	BEARING, TOP INT.	BRONZE	
35	BEARING, INT.	BRONZE	
36	INTERMEDIATE	C I CL30	
38	IMPELLER	BRONZE	
40	SUCTION BELL	C I CL 30	
41	BEARING, SUCT.	BRONZE	
◆ 42	STRAINER	STEEL	
53	TUBE ADAPTOR	C.I. CL 30	
54	DISCHARGE NOZZLE	C.I. CL 30	
● 55	OIL SEAL (2)	RUBBER	
■ 57	WEAR RING	BRONZE	
■ 58	SAND COLLAR	BRONZE	
■ 59	SUCTION PLUG	C I	
609	MAIN BEARING	BRONZE	
613	CAP SCREW, COL/BOWL	STEEL	
616	STUD, BOWL	H.T. STL	
617	HEX NUT, BOWL	STEEL	
618	BEARING, DISCH NOZZLE	BRONZE	
□ 619	GASKET, COL/BOWL	---	
△ 620	GASKET, BOWL	---	
625	GIB KEY, IMPELLER	STN. STL	
626	SET SCREW, IMPELLER	STN. STL	
631	MACH. SCREW, STRAINER	STN. STL	
658	SET SCREW, COLLAR	STN. STL	
* 659	PLUG, RELIEF PORT (2)	C.I	

- ◆ OPTIONAL - FURNISHED ONLY WHEN SPECIFIED
- NOT FURNISHED WITH FORCED WATER LUBRICATION
- NOT FURNISHED WHEN AN OPTIONAL SYNTHETIC SUCTION BEARING MATERIAL IS SPECIFIED
- OPTIONAL - FURNISHED WHEN SPECIFIED OR WHEN OPERATING PRESSURE IS 250 PSI AND GREATER.
- △ OPTIONAL - FURNISHED WHEN SPECIFIED OR WHEN REQUIRED DUE TO BOWL PRESSURE LIMITATIONS
- * PORTS NORMALLY OPEN - PLUGS FURNISHED ONLY WITH FORCED WATER LUBRICATION WHEN LUBE PRESSURE EXCEEDS BOWL OPERATING PRESSURE

NOTE
 THIS DRAWING ALSO COVERS THE FOLLOWING INACTIVE BOWLS
 17DR, 18 SKH