



MODEL 410 SERIES SINGLE STAGE SPLIT CASE PUMPS

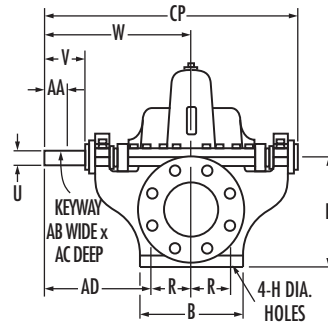
DIMENSION TABLE ADDENDUM

pentair.com

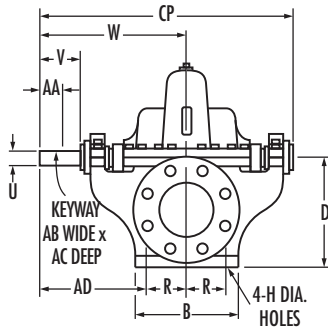
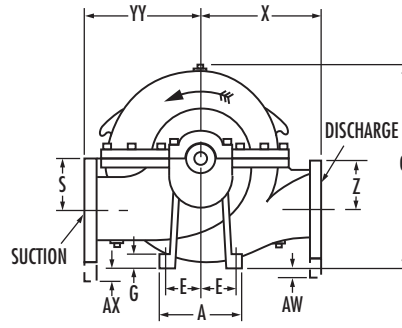
TABLE OF CONTENTS

SECTION.....	PAGE
2" Thru 8" Pumps Power Series No. 1-2-3-4-4A	3
6" Thru 14" Pumps Power Series No. 5-5a-6b-7-7a.....	4
On Steel Base 2" Thru 4" Pumps Power Series No. 1-2-3	5
On Steel Base 4" Thru 8" Pumps Power Series No. 4-4a-5-5a	6
On Steel Base 8" Thru 12" Power Series No. 6b-7a-7	7
On Steel Drip Rim Base 2"-2-1/2"-3"-4" Pumps Power Series No. 1-2-3	8
On Steel Drip Rim Base 4"-5"-6"-8"Pumps Power Series No. 4-4a-5-5a	9
On Steel Drip Rim Base 8"-10"-12"-14" Pumps Power Series No. 6b-7-7a	10

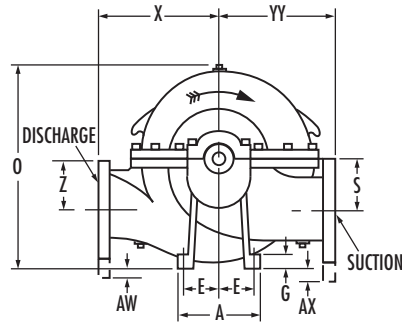
2" THRU 8" PUMPS POWER SERIES NO. 1-2-3-4-4A



RIGHT-HAND ROTATION



LEFT-HAND ROTATION

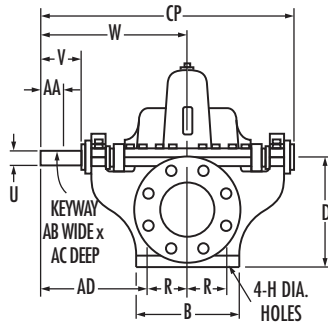


PUMP SIZE		CASE BORE	POWER SERIES	A	B	D	E	G	H	O	R	S	U	V	W	X	Z	AA	AB	AC	AD	AW	AX	CP	YY
DISCH.	SUCT																								
2	2-1/2	9	1	6-1/2 (165)	8 (203)	7 (178)	2-3/4 (70)	5/8 (16)	1/2 (13)	13-3/8 (340)	3-1/4 (83)	3-1/2 (89)	3/4 (19)	3-1/2 (89)	11-5/8 (295)	8-1/2 (216)	3-1/2 (89)	2 (51)	3/16 (5)	3/32 (2)	8-3/8 (213)	-	1/4 (6)	20-1/2 (521)	9 (229)
2	2-1/2	10	1	6-1/2 (165)	8 (203)	7 (178)	2-3/4 (70)	5/8 (16)	1/2 (13)	13-1/2 (343)	3-1/4 (83)	3-1/2 (89)	3/4 (19)	3-1/2 (89)	11-5/8 (295)	8-1/2 (216)	3-1/2 (89)	2 (51)	3/16 (5)	3/32 (2)	8-3/8 (213)	-	1/4 (6)	20-1/2 (521)	9 (229)
2	2-1/2	12	1	6-1/2 (165)	8 (203)	8 (203)	2-3/4 (70)	5/8 (16)	1/2 (13)	15-7/8 (403)	3-1/4 (83)	4 (102)	3/4 (19)	3-1/2 (89)	11-5/8 (295)	10 (254)	4 (102)	2 (51)	3/16 (5)	3/32 (2)	8-3/8 (213)	-	-	20-1/2 (521)	10-3/4 (273)
2-1/2	3	10	2	8 (203)	10 (254)	8 (203)	3-1/2 (89)	3/4 (19)	5/8 (16)	16 (406)	4 (102)	4 (102)	1-1/8 (29)	2-7/8 (73)	13-1/2 (343)	9-3/4 (248)	4 (102)	4 (54)	1/8 (3)	2 (5)	9-1/2 (241)	-	-	24 (610)	10 (254)
2-1/2	3	12	2	8 (203)	10 (254)	9 (229)	3-1/2 (89)	3/4 (19)	5/8 (16)	17-1/4 (438)	4 (102)	4-1/2 (114)	1-1/8 (29)	2-7/8 (73)	13-1/2 (343)	11 (286)	4-1/2 (114)	1/8 (3)	1/8 (3)	1/8 (3)	9-1/2 (241)	-	-	24 (610)	11-1/2 (292)
3	4	10	2	8 (203)	10 (254)	9 (229)	3-1/2 (89)	3/4 (19)	5/8 (16)	16-1/4 (413)	4 (102)	4-1/2 (114)	1-1/8 (29)	2-7/8 (73)	13-1/2 (343)	10 (254)	4-1/2 (114)	2-1/8 (54)	1/4 (6)	1/8 (3)	9-1/2 (241)	-	1/2 (13)	24 (610)	11 (343)
3	4	14	2	8 (203)	10 (254)	10 (254)	3-1/2 (89)	3/4 (19)	5/8 (16)	19-3/8 (492)	4 (102)	5 (127)	1-1/8 (29)	2-7/8 (73)	13-1/2 (343)	12 (305)	5 (127)	2-1/8 (54)	1/4 (6)	1/8 (3)	9 (241)	-	-	24 (610)	13 (330)
4	5	10	2	8 (203)	10 (254)	9 (229)	3-1/2 (89)	3/4 (19)	5/8 (16)	16-1/4 (413)	4 (102)	4-5/8 (117)	1-1/8 (29)	2-7/8 (73)	13-1/2 (343)	10 (254)	4-1/2 (114)	2-1/8 (54)	1/4 (6)	1/8 (3)	9 (241)	1/2 (13)	1-1/8 (29)	24 (610)	11-1/4 (286)
4	5	11C	3	10 (254)	12 (305)	10 (254)	4-1/4 (108)	7/8 (22)	3/4 (19)	18-3/8 (467)	5 (127)	5 (127)	1-3/8 (35)	3 (76)	14-1/2 (368)	11-1/4 (286)	5 (127)	2-3/8 (60)	3/8 (10)	3/16 (5)	9 (241)	-	1/2 (13)	26 (660)	12-3/4 (324)
4	5	11D	3	10 (254)	12 (305)	10 (254)	4-1/4 (108)	7/8 (22)	3/4 (19)	18-3/8 (467)	5 (127)	5 (127)	1-3/8 (35)	3 (76)	14-1/2 (368)	12 (305)	5 (127)	2-3/8 (60)	3/8 (10)	3/16 (5)	9 (241)	-	1/2 (13)	26 (660)	12-3/4 (324)
4	5	15	3	10 (254)	12 (305)	11 (279)	4-1/4 (108)	7/8 (22)	3/4 (19)	21-1/8 (537)	5 (127)	5-1/2 (140)	1-3/8 (35)	3 (76)	14-1/2 (368)	13 (330)	5-1/2 (140)	2-3/8 (60)	3/8 (10)	3/16 (5)	9-1/2 (241)	-	-	26 (660)	14 (356)
4	6	18	4	10 (254)	12 (305)	12-1/2 (318)	4-1/4 (108)	7/8 (22)	3/4 (19)	24-1/4 (616)	5 (127)	6-1/4 (159)	1-1/2 (38)	3-1/2 (89)	16 (406)	14 (356)	6-1/4 (159)	2-7/8 (73)	3/8 (10)	3/16 (5)	11 (279)	-	-	28-1/2 (724)	16 (406)
5	6	11	4	10 (254)	12 (305)	11 (279)	4-1/4 (108)	7/8 (22)	3/4 (19)	19-3/4 (502)	5 (127)	5-1/2 (140)	1-1/2 (38)	3-1/2 (89)	16 (406)	11-1/4 (286)	5-1/2 (140)	2-7/8 (73)	3/8 (10)	3/16 (5)	11 (279)	-	3/4 (19)	28-1/2 (724)	13-1/4 (337)
5	6	15	4	10 (254)	12 (305)	12-1/2 (318)	4-1/4 (108)	7/8 (22)	3/4 (19)	22-1/2 (572)	5 (127)	6-1/4 (159)	1-1/2 (38)	3-1/2 (89)	16 (406)	13-1/4 (337)	6-1/4 (159)	2-7/8 (73)	3/8 (10)	3/16 (5)	11 (279)	-	-	28-1/2 (724)	15 (343)
5	6	17	4	10 (254)	12 (305)	12-1/2 (318)	4-1/4 (108)	7/8 (22)	3/4 (19)	22-1/2 (572)	5 (127)	6-1/4 (159)	1-1/2 (38)	3-1/2 (89)	16 (406)	14 (356)	6-1/4 (159)	2-7/8 (73)	3/8 (10)	3/16 (5)	11 (279)	-	-	28-1/2 (724)	15 (343)
6	8	11	4	10 (254)	12 (305)	12-1/2 (318)	4-1/4 (108)	7/8 (22)	3/4 (19)	21-7/8 (556)	5 (127)	6-1/4 (159)	1-1/2 (38)	3-1/2 (89)	16 (405)	11-3/4 (298)	6-1/4 (159)	2-7/8 (73)	3/8 (10)	3/16 (5)	11 (279)	-	1-1/4 (32)	28-1/2 (724)	14-1/2 (368)
6	8	11HH	4A	12 (305)	14-1/2 (368)	16-1/2 (419)	5 (127)	1-1/4 (32)	7/8 (22)	25-1/2 (648)	6 (152)	8-5/8 (159)	1-1/2 (38)	3-1/2 (89)	18-1/8 (461)	10 (254)	8-5/8 (219)	2 (51)	3/8 (10)	3/16 (5)	12-1/8 (308)	-	-	32-3/4 (832)	15 (381)
8	8	11	4	10 (254)	12 (305)	12-1/2 (318)	4-1/4 (108)	7/8 (22)	3/4 (19)	21-3/4 (552)	5 (127)	6-1/4 (159)	1-1/2 (38)	3-1/2 (89)	16 (406)	12 (305)	6-1/4 (159)	2-7/8 (73)	3/8 (10)	3/16 (5)	11 (279)	1-1/4 (32)	1-1/4 (32)	28-1/2 (724)	14-1/2 (368)

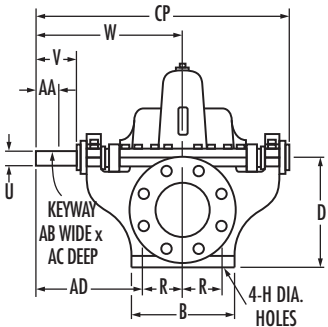
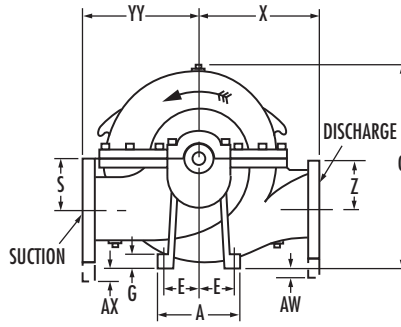
- NOTES:
 1. All dimensions in inches (mm).
 2. Dimensions may vary ± 3/8" (10).
 3. Not for construction purposes unless certified.
 4. Discharge and suction flanges – ANSI Standard flat face.
 5. 1/4" NPT gauge tap on top of suction/discharge flanges.

STD. 125# FLANGES	OPT. 250# FLANGES
-------------------	-------------------

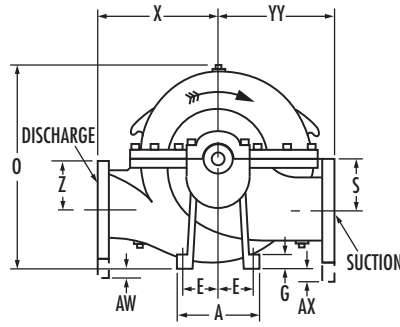
6" THRU 14" PUMPS POWER SERIES NO. 5-5A-6B-7-7A



RIGHT-HAND ROTATION



LEFT-HAND ROTATION



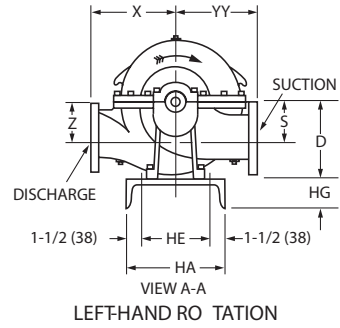
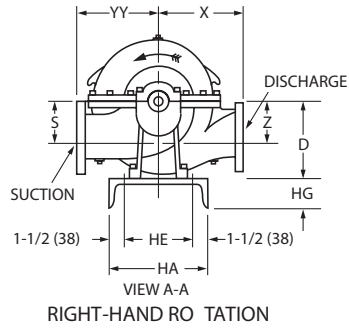
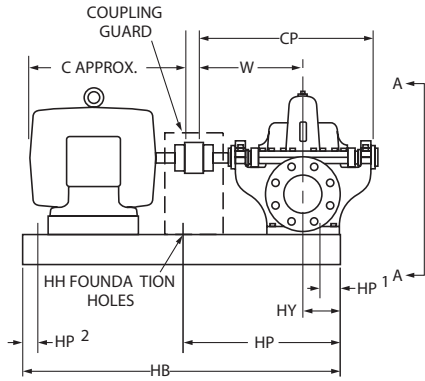
PUMP SIZE			POWER SERIES	A	B	D	E	G	H	O	R	S	U	V	W	X	Z	AA	AB	AC	AD	AW	AX	CP	YY
DISCH	SUCT	CASE BORE																							
6	8	14HH	5A	12 (305)	14-1/2 (368)	16-1/2 (127)	5 (127)	1-1/4 (32)	7/8 (22)	26-21/32 (609)	6 (152)	7-1/2 (191)	1-3/4 (44)	4-1/8 (105)	20-7/16 (519)	15 (381)	7-1/2 (73)	2-7/8 (73)	3/8 (10)	3/16 (5)	14-7/16 (367)	-	-	36-3/4 (933)	17 (432)
6	8	15	5	12 (305)	14 (356)	13-1/2 (343)	5 (127)	1 (25)	7/8 (22)	24-7/8 (632)	6 (152)	6-3/4 (171)	1-3/4 (44)	4 (102)	18 (457)	14-1/4 (171)	6-3/4 (73)	2-7/8 (73)	3/8 (10)	3/16 (5)	12 (305)	-	3/4 (19)	32 (813)	16-3/4 (425)
6	8	18	5	12 (305)	14 (356)	14-3/4 (375)	5 (127)	3/4 (19)	7/8 (22)	27-1/4 (692)	6 (152)	8 (203)	1-3/4 (44)	4 (102)	18 (457)	16 (406)	8 (203)	2-7/8 (73)	3/8 (10)	3/16 (5)	12 (305)	-	3/4 (19)	32 (813)	18 (457)
6	8	20	5	12 (305)	14 (356)	14-3/4 (375)	5 (127)	1 (25)	7/8 (22)	27-3/4 (705)	6 (152)	8 (203)	1-3/4 (44)	4 (102)	18 (457)	15-3/4 (400)	8 (203)	2-7/8 (73)	3/8 (10)	3/16 (5)	12 (305)	-	3/4 (19)	32 (813)	18 (457)
8	10	12	5	12 (305)	14 (356)	14-3/4 (375)	5 (127)	1-1/4 (32)	7/8 (22)	26-3/8 (670)	6 (152)	8 (203)	1-3/4 (44)	4 (102)	18 (457)	17 (432)	9 (229)	2-7/8 (73)	3/8 (10)	3/16 (5)	12 (305)	1-3/4 (44)	2 (51)	32 (813)	17-3/4 (451)
8	10	15	5	12 (305)	14 (356)	14-3/4 (375)	5 (127)	1-1/4 (32)	7/8 (22)	26-5/8 (676)	6 (152)	8 (203)	1-3/4 (44)	4 (102)	18 (457)	17 (432)	9 (229)	2-7/8 (73)	3/8 (10)	3/16 (5)	12 (305)	1-3/4 (44)	2 (51)	32 (813)	17-3/4 (451)
8	10	17	5	12 (305)	14 (356)	14-3/4 (375)	5 (127)	1-1/4 (32)	7/8 (22)	27-1/8 (689)	6 (152)	8 (203)	1-3/4 (44)	4 (102)	18 (457)	17 (432)	8 (203)	2-7/8 (73)	3/8 (10)	3/16 (5)	12 (305)	3/4 (19)	2 (51)	32 (813)	17-3/4 (451)
8	10	21	6B	20 (508)	17 (432)	18-1/2 (470)	9 (229)	1 (25)	7/8 (22)	32-1/2 (826)	7-1/2 (191)	9-1/2 (241)	2-1/8 (54)	5-7/16 (138)	21-7/8 (556)	18 (457)	9-1/2 (241)	4-3/4 (121)	1/2 (13)	1/4 (6)	14-3/8 (365)	-	-	38 (965)	21 (533)
10	12	12B	6B	15 (381)	22 (559)	23 (584)	6-1/2 (165)	1 (25)	7/8 (22)	35-1/2 (902)	10 (254)	12 (305)	2-1/8 (54)	5-7/16 (138)	21-7/8 (556)	16 (406)	12 (305)	4-3/4 (121)	1/2 (13)	1/4 (6)	11-7/8 (302)	-	-	38 (965)	19 (483)
10	12	15B&C	6B	15 (381)	22 (559)	25 (635)	6-1/2 (165)	1 (25)	7/8 (22)	38-1/2 (978)	10 (254)	13-1/2 (343)	2-1/8 (54)	5-7/16 (138)	21-7/8 (556)	17 (432)	13-1/2 (343)	4-3/4 (121)	1/2 (13)	1/4 (6)	11-7/8 (302)	-	-	38 (965)	20 (508)
10	12	18	6B	15 (381)	22 (559)	25 (635)	6-1/2 (165)	1 (25)	7/8 (22)	39-1/2 (1003)	10 (254)	13-1/2 (343)	2-1/8 (54)	5-7/16 (138)	21-7/8 (556)	18 (457)	13-1/2 (343)	4-3/4 (121)	1/2 (13)	1/4 (6)	11-7/8 (302)	-	-	38 (965)	22 (559)
10	12	18D	7A	15 (381)	22 (559)	25 (635)	6-1/2 (165)	1-1/4 (32)	7/8 (22)	40-3/8 (1026)	10 (254)	12-1/4 (311)	2-1/8 (53)	5-3/4 (146)	24-5/16 (618)	20 (508)	12-1/4 (311)	4-3/4 (121)	1/2 (13)	1/4 (6)	14-5/16 (364)	-	-	42-15/16 (1090)	24 (610)
8	12	24	7	15 (381)	22 (559)	26 (660)	6-1/2 (165)	1-1/8 (29)	7/8 (22)	43-7/8 (1114)	10 (254)	15 (381)	2-1/2 (64)	6-5/8 (168)	25-1/4 (641)	20 (508)	15 (381)	5 (127)	5/8 (16)	5/16 (8)	15-1/4 (387)	-	-	43-7/8 (1114)	25 (635)
12	14	15B	7	15 (381)	22 (559)	24 (610)	6-1/2 (165)	1 (25)	7/8 (22)	39 (991)	10 (254)	15 (343)	2-1/2 (64)	6-5/8 (168)	25-1/4 (641)	17 (432)	15 (381)	5 (127)	5/8 (16)	5/16 (8)	15-1/4 (387)	1-1/4 (32)	2-1/2 (64)	43-7/8 (1114)	22 (559)
12	14	18	7	15 (381)	22 (559)	24 (610)	6-1/2 (165)	1 (25)	7/8 (22)	40-1/8 (1019)	10 (254)	15 (381)	2-1/2 (64)	6-5/8 (168)	25-1/4 (641)	18 (457)	15 (381)	5 (127)	5/8 (16)	5/16 (8)	15-1/4 (387)	1-1/4 (32)	2-1/2 (64)	43-7/8 (1114)	23 (584)
14	16	18	7	15 (381)	22 (559)	29-1/4 (743)	6-1/2 (165)	1 (25)	7/8 (22)	47-1/2 (1207)	10 (254)	16 (406)	2-1/2 (64)	6-5/8 (168)	25-1/4 (641)	22 (559)	16 (406)	5/8 (127)	5/16 (16)	5/16 (8)	15-1/4 (387)	-	-	43-7/8 (1114)	27 (686)

NOTES:

- All dimensions in inches (mm).
- Dimensions may vary $\pm 3/8"$ (10).
- Not for construction purposes unless certified.
- Discharge and suction flanges – ANSI Standard flat face.
- 1/4" NPT gauge tap on top of suction/discharge flanges.

STD. 125# FLANGES	OPT. 250# FLANGES

ON STEEL BASE 2" THRU 4" PUMPS POWER SERIES NO. 1-2-3



BASE	SIZE	HA	HB	HE	HG	HH		HP	HP1	HP2
						QTY	SIZE			
2	10 x 28	10 (254)	28 (711)	7 (178)	2-5/8 (67)	2	5/8 (16)	14 (356)	-	-
3	12 x 30	12 (305)	30 (762)	9 (229)	3 (76)	2	5/8 (16)	15 (381)	-	-
4	12 x 34	12 (305)	34 (864)	9 (229)	3 (76)	4	5/8 (16)	20 (508)	-	1 (25)
5	12 x 38	12 (305)	38 (965)	9 (229)	3 (76)	4	5/8 (16)	20 (508)	-	1 (25)
6	13 x 38	13 (330)	38 (965)	10 (254)	4 (102)	4	3/4 (19)	-	1 (25)	1 (25)
7	13 x 42	13 (330)	42 (1067)	10 (254)	4 (102)	4	3/4 (19)	24 (610)	-	1 (25)
8	15 x 40	15 (381)	40 (1016)	12 (305)	3-3/8 (86)	4	3/4 (19)	-	1 (25)	1 (25)
9	15 x 44	15 (381)	44 (1118)	12 (305)	3-3/8 (86)	4	3/4 (19)	24 (610)	-	1 (25)
10	18 x 44	18 (457)	44 (1118)	15 (381)	4 (102)	4	3/4 (19)	-	1 (25)	1 (25)
11	18 x 48	18 (457)	48 (1219)	15 (381)	4 (102)	4	3/4 (19)	-	1 (25)	1 (25)
12	18 x 54	18 (457)	54 (1372)	15 (381)	4 (102)	4	3/4 (19)	-	1 (25)	1 (25)
15	22 x 60	22 (559)	60 (1524)	19 (483)	4 (102)	4	3/4 (19)	-	1 (25)	1 (25)

NOTE: WHEN 2 "D" DIMENSIONS ARE INDICATED ALWAYS USE THE LARGER FIGURE.

DISCH	SUCT	CASE BORE	PUMP SIZE	POWER SERIES	D	S	W	X	Z	CP	HY	YY
2	2-1/2	10	1	7 (178)	3-1/2 (89)	11-5/8 (295)	8-1/2 (216)	3-1/2 (89)	20-1/2 (521)	4 (102)	9 (229)	
2	2-1/2	12	1	8 (203)	4 (102)	11-5/8 (295)	10 (254)	4 (102)	20-1/2 (521)	4 (102)	10-3/4 (273)	
2-1/2	3	10B	2	8 (203)	4 (102)	13-1/2 (343)	9-3/4 (248)	4 (102)	24 (610)	5 (127)	10 (254)	
2-1/2	3	12	2	9** (229)**	4-1/2 (114)	13-1/2 (343)	11 (279)	4-1/2 (114)	24 (610)	5 (127)	11-1/2 (292)	
3	4	10B & C	2	9** (229)**	4-1/2 (114)	13-1/2 (343)	10 (254)	4-1/2 (114)	24 (610)	5 (127)	11 (279)	
3	4	14	2	10 (254)	5 (127)	13-1/2 (343)	12 (305)	5 (127)	24 (610)	5 (127)	13 (330)	
4	5	10B	2	9** (229)**	4-5/8 (118)	13-1/2 (343)	10 (254)	4-1/2 (114)	24 (610)	5 (127)	11-1/4 (286)	
4	5	11A & C	3	10± (254±)	5 (127)	14-1/2 (368)	11-1/4 (286)	5 (127)	26 (660)	6 (152)	12-3/4 (324)	
4	5	11D		10± (254±)	5 (127)	14-1/2 (368)	12 (286)	5 (127)	26 (660)	6 (152)	12-3/4 (324)	
4	5	15	11 (279)	5-1/2 (140)	14-1/2 (368)	13 (330)	5-1/2 (140)	26 (660)	6 (152)	14 (356)		

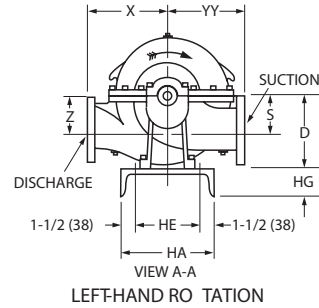
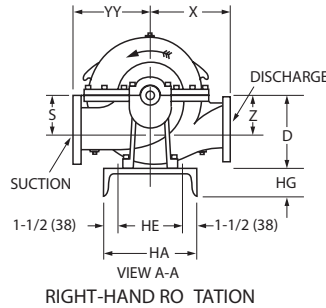
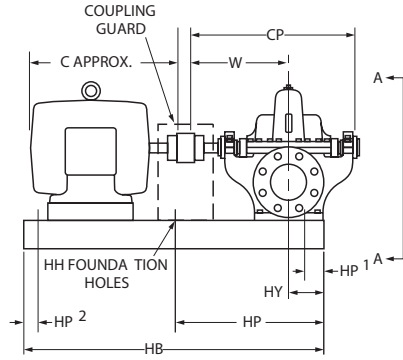
PUMP SIZE	FRAME	143T	145T	182T	184T	213T	215T	254T	256T	284TS	284T	286TS	286T	324TS	324T	326TS	326T	364TS	364T	365TS	365T	404TS	405TS	444TS
		C	13 (330)	13 (330)	13 (330)	14 (356)	16 (406)	18 (457)	21 (533)	23 (584)	22 (559)	24 (610)	24 (610)	25 (635)	25 (635)	26 (660)	26 (660)	28 (711)	27 (686)	29 (737)	28 (711)	30 (762)	30 (762)	31 (787)
	D	-	-	-	-	-	-	-	-	-	-	-	-	8 (203)	8 (203)	8 (203)	9 (229)	9 (229)	9 (229)	9 (229)	9 (229)	10 (254)	10 (254)	11 (279)
2 x 2-1/2 x 9	BASE	2		3		4		6		8		9		10		11		12		15				
2 x 2-1/2 x 10	BASE	2		3		4		6		8		9		10		11		12		15				
2 x 2-1/2 x 12	BASE	2		3		4		6		8		9		10		11		12		15				
2-1/2 x 3 x 10B	BASE	2		3		4		6		8		9		10		11		12		15				
2-1/2 x 3 x 12	BASE	2		3		4		6		8		9		10		11		12		15				
3 x 4 x 10B & C	BASE	3		4		5		7		9		11		12		15		15						
3 x 4 x 14	BASE	3		4		5		7		9		11		12		15		15						
4 x 5 x 10B	BASE	3		4		5		7		9		11		12		15		15						
4 x 5 x 11A & C	BASE	3		4		5		7		9		11		12		15		15						
4x5x11D	BASE	3		4		5		7		9		11		12		15		15						
4 x 5 x 15	BASE	3		4		5		7		9		11		12		15		15						

- NOTES:
 1. All dimensions in inches (mm).
 2. Dimensions may vary ± 3/8" (10).
 3. Not for construction purposes unless certified.
 4. Coupling gap may vary 1/8" (3) to 2-1/16" (52).

5. Conduit box is shown in approximate location. Dimensions are not specified as they vary with each motor manufacturer.
 6. Discharge and suction flanges – ANSI Standard flat face.
 7. 1/4" NPT gauge tap on top of suction/discharge flanges.
 ** Dimension "D" is 10-1/2" (267) when using frames 324TS thru 365T.
 ‡ Dimension "D" is 10-1/2" (267) when using frames 404TS thru 405TS.
 † Dimension "D" is 11" (279) when using frames 444TS.

STD. 125# FLANGES	OPT. 250# FLANGES
-------------------	-------------------

ON STEEL BASE 4" THRU 8" PUMPS POWER SERIES NO. 4-4A-5-5A



BASE	SIZE	HA	HB	HE	HG	HH		HP	HP1	HP2
						QTY	SIZE			
5	12 x 38	12 (305)	38 (965)	9 (229)	3 (76)	4	5/8 (16)	20 (508)	-	1 (25)
7	13 x 42	13 (330)	42 (1067)	10 (254)	4 (102)	4	5/8 (16)	24 (610)	-	1 (25)
9	15 x 44	15 (381)	44 (1118)	12 (305)	3-3/8 (86)	4	5/8 (16)	24 (610)	-	1 (25)
10	18 x 44	18 (457)	44 (1219)	15 (381)	4 (102)	4	5/8 (16)	-	1 (25)	1 (25)
11	18 x 48	18 (457)	48 (1219)	15 (381)	4 (102)	4	5/8 (16)	-	1 (25)	1 (25)
12	18 x 54	18 (457)	54 (1372)	15 (381)	4 (102)	4	5/8 (16)	-	1 (25)	1 (25)
13	18 x 60	18 (457)	60 (1524)	15 (381)	4 (102)	4	5/8 (16)	24 (610)	-	1 (25)
14	18 x 65	18 (457)	65 (1651)	15 (381)	4 (102)	4	5/8 (16)	24 (610)	-	1 (25)
15	22 x 60	22 (559)	60 (1524)	19 (483)	4 (102)	4	5/8 (16)	-	1 (25)	1 (25)
16	22 x 72	22 (559)	72 (1829)	19 (483)	4 (102)	4	5/8 (16)	-	1 (25)	1 (25)
17	22 x 84	22 (559)	84 (2134)	19 (483)	4 (102)	4	5/8 (16)	-	1 (25)	1 (25)

PUMP SIZE		CASE BORE	POWER SERIES	S	W	X	Z	CP	HY	YY	
DISCH	SUCT										
4	6	18B	4	12-1/2 (318)	6-1/4 (159)	16 (406)	14 (356)	6-1/4 (159)	28-1/2 (724)	6 (152)	16 (406)
5	6	11A & C	4	11** (279)**	5-1/2 (140)	16 (406)	11-1/4 (286)	5-1/2 (140)	28-1/2 (724)	6 (152)	13-1/4 (337)
5	6	15	4	12-1/2 (318)	6-1/4 (159)	16 (406)	13-1/4 (337)	6-1/4 (159)	28-1/2 (724)	6 (152)	15 (381)
5	6	17	4	12-1/2 (318)	6-1/4 (159)	16 (406)	14 (356)	6-1/4 (159)	28-1/2 (724)	6 (152)	15 (381)
6	8	11	4	12-1/2 (318)	6-1/4 (159)	16 (406)	11-3/4 (286)	6-1/4 (159)	28-1/2 (724)	6 (152)	14-1/2 (368)
8	8	11B	4	12-1/2± (318±)	6-1/4 (159)	16 (406)	12 (305)	6-1/4 (159)	28-1/2 (724)	6 (152)	14-1/2 (368)
6	8	11HH	4A	16-1/2 (419)	8-5/8 (219)	18-1/8 (461)	10 (254)	8-5/8 (219)	32-3/4 (832)	7 (178)	17 (432)
6	8	14HH	5A	16-1/2 (419)	7-1/2 (191)	20-7/16 (519)	15 (381)	7-1/2 (191)	36-3/4 (933)	7 (178)	17 (432)
6	8	15	5	13-1/2 (343)	6-3/4 (171)	18 (457)	14-1/4 (362)	6-3/4 (171)	32 (813)	7 (178)	16-3/4 (425)
6	8	18AB & C	5	14-3/4 (375)	8 (203)	18 (457)	16 (406)	8 (203)	32 (813)	7 (178)	18 (457)
6	8	20	5	14-3/4 (375)	8 (203)	18 (457)	15-3/4 (400)	8 (203)	32 (813)	7 (178)	18 (457)
8	10	12 & 12A	5	14-3/4 (375)	8 (203)	18 (457)	17 (432)	9 (229)	32 (813)	7 (178)	17-3/4 (451)
8	10	15A & B	5	14-3/4 (375)	8 (203)	18 (457)	17 (432)	9 (229)	32 (813)	7 (178)	17-3/4 (451)
8	10	17B	5	14-3/4 (375)	8 (203)	18 (457)	17 (432)	8 (203)	32 (813)	7 (178)	17-3/4 (451)

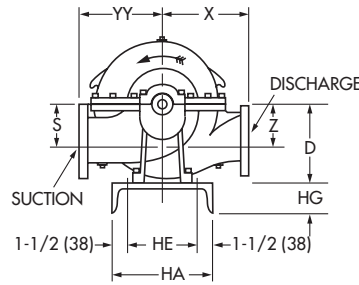
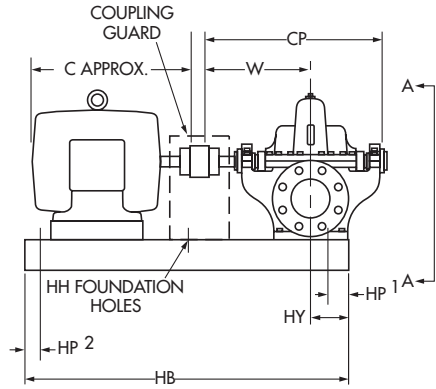
FRAME		213T	215T	254T	256T	284TS	284T	286TS	286T	324TS	324T	326TS	326T	364TS	364T	365TS	365T	404TS	404T	405TS	405T	444TS	444T	445TS	445T	447TS	447T	449TS	449T
PUMP SIZE	C	16 (406)	18 (457)	21 (533)	23 (584)	22 (559)	24 (610)	24 (610)	25 (635)	25 (635)	26 (660)	26 (660)	28 (711)	27 (686)	29 (737)	28 (711)	30 (762)	30 (762)	33 (838)	31 (787)	35 (889)	34 (864)	38 (965)	36 (916)	40 (914)	40 (914)	44 (1118)	45 (1143)	49 (1245)
4 x 6 x 18B	BASE																												
5 x 6 x 11A & C	BASE																												
5 x 6 x 15	BASE																												
5 x 6 x 17	BASE																												
6 x 8 x 11	BASE																												
6 x 8 x 11B	BASE																												
6 x 8 x 11HH	BASE																												
6 x 8 x 14HH	BASE																												
6 x 8 x 15	BASE																												
6 x 8 x 18A, B, & C	BASE																												
6 x 8 x 20	BASE																												
8 x 10 x 12 & 12A	BASE																												
8 x 10 x 15A & B	BASE																												
8 x 10 x 17B	BASE																												

NOTES:

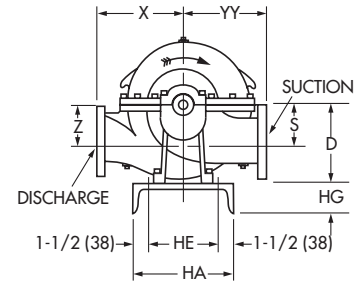
- All dimensions in inches (mm).
- Dimensions may vary ± 3/8" (10).
- Not for construction purposes unless certified.
- Coupling gap may vary 1/8" (3) to 2-1/16" (52).
- Conduit box is shown in approximate location. Dimensions are not specified as they vary with each motor manufacturer.
- Discharge and suction flanges – ANSI Standard flat face.
- 1/4" NPT gauge tap on top of suction/discharge flanges.
- Dimension "D" is 12" (305) when using frames 404TS thru 449T.
- Dimension "D" is 14-1/2" (368) when using frames 404TS thru 449T.

STD. 125# FLANGES	OPT. 250# FLANGES

ON STEEL BASE 8" THRU 12" POWER SERIES NO. 6B-7A-7



RIGHT-HAND ROTATION



LEFT-HAND ROTATION

BASE	SIZE	HA	HB	HE	HG	HH		HP1	HP2
						QTY	SIZE		
13	18 x 60	18	60	15	4	4	3/4	24	1
		(457)	(1524)	(381)	(102)		(19)	(610)	(25)
14	18 x 65	18	65	15	4	4	3/4	24	1
		(457)	(1651)	(381)	(102)		(19)	(610)	(25)
15	22 x 60	22	60	19	4	4	3/4	1	1
		(559)	(1524)	(483)	(102)		(19)	(25)	(25)
16	22 x 72	22	72	19	4	4	3/4	1	1
		(559)	(1829)	(483)	(102)		(19)	(25)	(25)
17	22 x 84	22	84	19	4	4	3/4	1	1
		(559)	(2134)	(483)	(102)		(19)	(25)	(25)
18	22 x 84	22	84	19	4	4	3/4	1	1
		(559)	(2134)	(483)	(102)		(19)	(25)	(25)

PUMP SIZE			POWER SERIES	D	S	W	X	Z	CP	HY	YY		
DISCH	SUCT	CASE BORE											
8	10	21 & 21A	6B	18-1/2 (470)	9-1/2 (241)	21-7/8 (556)	18 (457)	9-1/2 (241)	38 (965)	11 (279)	21 (533)		
		12B		23 (584)	12 (305)	21-7/8 (556)	16 (406)	38 (965)	11 (279)	19 (483)			
10	12	15B & C		25 (635)	13-1/2 (343)	21-7/8 (708)	17 (432)	13-1/2 (343)	38 (965)	11 (279)	20 (508)		
		18		25 (635)	13-1/2 (343)	21-7/8 (708)	18 (457)	13-1/2 (343)	38 (965)	11 (279)	22 (559)		
10	12	18D		7A	25 (635)	12-1/4 (311)	24-5/16 (556)	20 (508)	12-1/4 (311)	42-15/16 (1091)	11 (279)	24 (610)	
		24			26 (660)	15 (381)	25-1/4 (641)	20 (508)	15 (381)	43-7/8 (1114)	11 (279)	25 (635)	
8	12	15B			7	24 (610)	15 (381)	25-1/4 (641)	17 (432)	15 (381)	43-7/8 (1114)	11 (279)	22 (559)
		18A				24 (610)	15 (381)	25-1/4 (641)	18 (457)	15 (381)	43-7/8 (1114)	11 (279)	23 (584)
12	14	18				29-1/4 (743)	16 (406)	25-1/4 (641)	22 (559)	16 (406)	43-7/8 (1114)	11 (279)	27 (686)
		24				26 (660)	15 (381)	25-1/4 (641)	20 (508)	15 (381)	43-7/8 (1114)	11 (279)	25 (635)

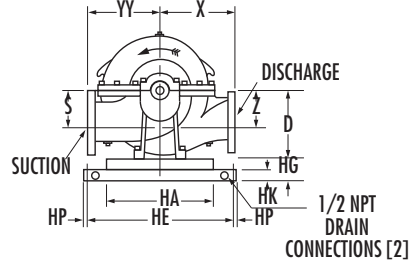
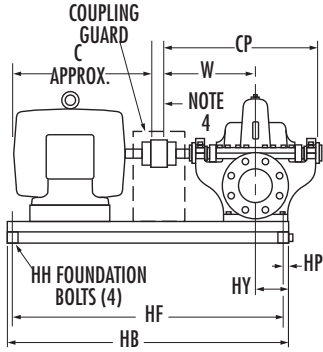
PUMP SIZE	FRAME	286TS	286T	324TS	324T	326TS	326T	364TS	364T	365TS	365T	404TS	404T	405TS	405T	444TS	444T	445TS	445T	447TS	447T	449TS	449T
	C	24 (610)	25 (635)	25 (635)	26 (660)	26 (660)	28 (711)	27 (686)	29 (737)	28 (711)	30 (762)	30 (762)	33 (838)	31 (787)	35 (889)	34 (864)	38 (965)	36 (914)	40 (914)	40 (914)	44 (1118)	45 (1143)	49 (1245)
8 x 10 x 21 & 21A	BASE	13				14				16				17									
10 x 12 x 12B	BASE	13				14				16				17									
10 x 12 x 15B & C	BASE	13				14				16				17									
10 x 12 x 18	BASE	13				14				16				17									
10 x 12 x 18D	BASE	13				14				16				17									
8 x 12 x 24	BASE	13				14				16				17									
12 x 14 x 15B	BASE	13				14				16				17									
12 x 14 x 18A	BASE	13				14				16				17									
14 x 16 x 18	BASE	13				14				16				17									

NOTES:

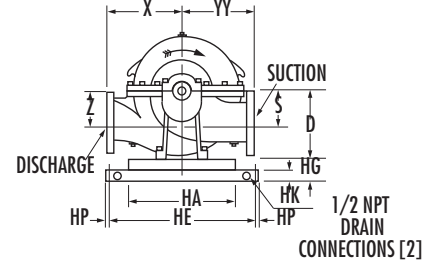
- All dimensions in inches (mm).
- Dimensions may vary $\pm 3/8"$ (10).
- Not for construction purposes unless certified.
- Coupling gap may vary 1/8" (3) to 2-1/16" (52).
- Conduit box is shown in approximate location. Dimensions are not specified as they vary with each motor manufacturer.
- Discharge and suction flanges - ANSI Standard flat face.
- 1/4" NPT gauge tap on top of suction/discharge flanges.

STD. 125# FLANGES	OPT. 250# FLANGES

ON STEEL DRIP RIM BASE 2"-2-1/2"-3"-4" PUMPS POWER SERIES NO. 1-2-3



RIGHT-HAND ROTATION



LEFT-HAND ROTATION

NOTE: WHEN 2 "D" DIMENSIONS ARE INDICATED ALWAYS USE THE LARGER FIGURE.

PUMP SIZE		CASE BORE	POWER SERIES	D	S	W	X	Z	CP	HY	YY
DISCH	SUCT										
2	2-1/2	9	1	7 (178)	3-1/2 (89)	11-5/8 (295)	8-1/2 (216)	3-1/2 (89)	20-1/2 (521)	4-1/2 (114)	9 (229)
2	2-1/2	10		7 (178)	3-1/2 (89)		8-1/2 (216)	3-1/2 (89)			9 (229)
2	2-1/2	12		8 (203)	4 (102)		10 (254)	4 (102)			10-3/4 (273)
2-1/2	3	10B	2	8 (203)	4 (102)	13-1/2 (343)	9-3/4 (248)	4 (102)	24 (610)	5-1/2 (140)	10 (254)
2-1/2	3	12		9** (229**)	4-1/2 (114)		11 (279)	4-1/2 (114)			11-1/2 (292)
3	4	10B & C		9** (229**)	4-1/2 (114)		10 (254)	4-1/2 (114)			11 (279)
3	4	14	3	10 (254)	5 (127)	14-1/2 (368)	12 (305)	5 (127)	26 (660)	6-1/2 (165)	13 (330)
4	5	10B		9** (229**)	4-5/8 (118)		10 (254)	4-1/2 (114)			11-1/4 (286)
4	5	11A & C		10‡ (254‡)	5 (127)		11-1/4 (286)	5 (127)			12-3/4 (324)
4	5	11D	3	10‡ (254‡)	5 (127)	14-1/2 (368)	12 (305)	5 (127)	26 (660)	6-1/2 (165)	12-3/4 (324)
4	5	15		11 (279)	5-1/2 (140)		13 (330)	5-1/2 (140)			14 (356)

BASE	SIZE	HA	HB	HE	HF	HG	HH	HK	HP
3	9 x 33	9 (229)	33-1/2 (851)	13-3/4 (349)	32-1/4 (819)	3 (76)	3/4 (19)	1-1/2 (38)	5/8 (16)
5	11 x 36	11 (279)	36-1/2 (927)	15-7/8 (403)	35-1/8 (892)	3 (76)	7/8 (22)	1-1/2 (38)	11/16 (18)
6	11 x 42	11 (279)	42-1/2 (1080)	15-7/8 (403)	41-1/8 (1045)	3 (76)	7/8 (22)	1-1/2 (38)	11/16 (18)
8	14 x 42	14 (356)	42-1/2 (1080)	19 (483)	41 (1041)	3 (76)	1 (25)	1-1/2 (38)	3/4 (19)
9	14 x 48	14 (356)	48-1/2 (1232)	19 (483)	47 (1194)	3 (76)	1 (25)	1-1/2 (38)	3/4 (19)
11	18 x 46	18 (457)	46-1/2 (1181)	25-1/8 (638)	44-7/8 (1140)	4 (102)	1-1/8 (29)	2 (51)	13/16 (21)
12	18 x 54	18 (457)	54-1/2 (1384)	25-1/8 (638)	52-7/8 (1343)	4 (102)	1-1/8 (29)	2 (51)	13/16 (21)
15	22 x 54	22 (559)	54-1/2 (1384)	29-1/8 (740)	52-7/8 (1343)	4-1/2 (114)	1-1/8 (29)	2 (51)	13/16 (21)

PUMP SIZE			FRAME	143T	145T	182T	184T	213T	215T	254T	256T	284TS	284T	286TS	286T	324TS	324T	326TS	326T	364TS	364T	365TS	365T	404TS	405TS	444TS	
DISCH	SUCT	CASE BORE		C	13 (330)	13 (330)	13 (330)	14 (356)	16 (406)	18 (457)	21 (533)	23 (584)	22 (559)	24 (610)	24 (610)	25 (635)	25 (635)	26 (660)	26 (660)	28 (711)	27 (686)	29 (737)	28 (711)	30 (762)	30 (762)	31 (787)	34 (864)
2	2-1/2	9	D	-	-	-	-	-	-	-	-	-	-	-	-	8 (203)	8 (203)	8 (203)	8 (203)	8 (229)	8 (229)	8 (229)	9 (229)	9 (254)	10 (254)	11 (279)	
2	2-1/2	10	1	BASE																							
2	2-1/2	12		BASE		3			5					8			11										
2-1/2	3	10B		BASE																							
2-1/2	3	12	2	BASE																							
3	4	10B & C		BASE		3			5		8			9		11	12	11			12						
3	4	14		BASE																							
4	5	10B	BASE																								
4	5	11A & C	3	BASE																							
4	5	11D		BASE			5		6		8			9		11					12				15		
4	5	15		BASE																							

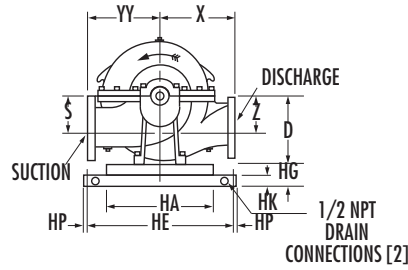
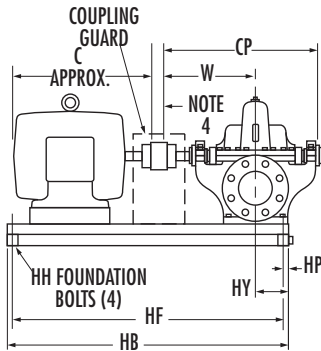
NOTES:

- All dimensions in inches (mm).
- Dimensions may vary ± 3/8" (10).
- Not for construction purposes unless certified.
- Coupling gap may vary 1/8" (3) to 2-1/16" (52).
- Conduit box is shown in approximate location. Dimensions are not specified as they vary with each motor manufacturer.

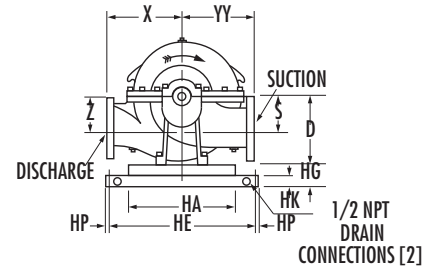
- Discharge and suction flanges – ANSI Standard flat face.
- 1/4" NPT gauge tap on top of suction/discharge flanges.
- ** Dimension "D" is 10-1/2" (267) when using frames 324TS thru 365T.
- ‡ Dimension "D" is 10-1/2" (267) when using frames 404TS thru 405TS.

STD. 125# FLANGES	OPT. 250# FLANGES
-------------------	-------------------

ON STEEL DRIP RIM BASE 4"-5"-6"-8" PUMPS POWER SERIES NO. 4-4A-5-5A



RIGHT-HAND ROTATION



LEFT-HAND ROTATION

BASE	SIZE	HA	HB	HE	HF	HG	HH	HK	HP
6	11 x 42	11 (279)	42-1/2 (1080)	15-7/8 (403)	41-1/8 (1045)	3 (76)	7/8 (22)	1-1/2 (38)	11/16 (18)
9	14 x 48	14 (356)	48-1/2 (1232)	19 (483)	47 (1194)	3 (76)	1 (25)	1-1/2 (38)	3/4 (19)
11	18 x 46	18 (457)	46-1/2 (1181)	25-1/8 (638)	44-7/8 (1140)	4 (102)	1-1/8 (29)	2 (51)	13/16 (21)
12	18 x 54	18 (457)	54-1/2 (1384)	25-1/8 (638)	52-7/8 (1343)	4 (102)	1-1/8 (29)	2 (51)	13/16 (21)
13	18 x 64	18 (457)	64-1/2 (1638)	25-1/8 (638)	62-7/8 (1597)	4 (102)	1-1/8 (29)	2 (51)	13/16 (21)
15	22 x 54	22 (559)	54-1/2 (1384)	29-1/8 (740)	52-7/8 (1343)	4-1/2 (114)	1-1/8 (29)	2 (51)	13/16 (21)
16	22 x 64	22 (559)	64-1/2 (1638)	29-1/8 (740)	62-7/8 (1597)	4-1/2 (114)	1-1/8 (29)	2 (51)	13/16 (21)
17	22 x 74	22 (559)	74-1/2 (1892)	29-1/8 (740)	72-7/8 (1851)	4-1/2 (114)	1-1/8 (29)	2 (51)	13/16 (21)
18	22 x 82	22 (559)	82-1/2 (2096)	29-1/8 (740)	80-7/8 (2054)	4-1/2 (114)	1-1/8 (29)	2 (51)	13/16 (21)

PUMP SIZE			POWER SERIES	D	S	W	X	Z	CP	HY	YY	
DISCH	SUCT	CASE BORE										
4	6	18B	4	12-1/2 (318)	6-1/4 (159)	16 (408)	14 (356)	6-1/4 (159)	28-1/2 (734)	6-1/2 (165)	16 (406)	
5	6	11A & C		11** (279)**	5-1/2 (140)		11-1/4 (286)	5-1/2 (140)			13-1/4 (337)	15 (381)
5	6	15		12-1/2 (318)	6-1/4 (159)		14 (356)	6-1/4 (159)			15 (381)	
5	6	17		12-1/2 (318)	6-1/4 (159)		14 (356)	6-1/4 (159)			15 (381)	
6	8	11		12-1/2 (318)	6-1/4 (159)		11-3/4 (298)	6-1/4 (159)			14-1/2 (368)	
8	8	11B		12-1/2† (318†)	6-1/4 (159)		12 (305)	6-1/4 (159)			14-1/2 (368)	
6	8	11HH	4A	16-1/2 (419)	8-5/8 (219)	18-1/8 (461)	10 (254)	8-5/8 (219)	32-3/4 (832)	7 (178)	17 (432)	
6	8	14HH	5A	16-1/2 (419)	7-1/2 (191)	20-7/16 (519)	15 (381)	7-1/2 (191)	36-3/4 (933)	7 (178)	17 (432)	
6	8	15	5	13-1/2 (343)	6-3/4 (171)	18 (457)	14-1/4 (362)	6-3/4 (171)	32 (813)	7-1/2 (191)	16-3/4 (425)	
6	8	18A, B & C		14-3/4 (375)	8 (203)		16 (406)	8 (203)			18 (457)	
6	8	20		14-3/4 (375)	8 (203)		15-3/4 (400)	8 (203)			18 (457)	
8	10	12 & 12A		14-3/4 (375)	8 (203)		17 (432)	9 (229)			17-3/4 (451)	
8	10	15A & B		14-3/4 (375)	8 (203)		17 (432)	9 (229)			17-3/4 (451)	
8	10	17B		14-3/4 (375)	8 (203)		17 (432)	8 (203)			17-3/4 (451)	

PUMP SIZE			FRAME	213T	215T	254T	256T	284TS	284T	286TS	286T	324TS	324T	326TS	326T	364TS	364T	365TS	365T	404TS	404T	405TS	405T	444TS	444T	445TS	445T	447TS	447T	449TS	449T	
DISCH	SUCT	CASE BORE	C	16 (406)	18 (457)	21 (533)	23 (584)	22 (559)	24 (610)	24 (610)	25 (635)	25 (635)	26 (660)	26 (660)	28 (711)	27 (686)	29 (737)	28 (711)	30 (762)	30 (762)	33 (838)	31 (787)	35 (889)	34 (864)	38 (965)	36 (914)	40 (1016)	40 (1016)	44 (1118)	44 (1118)	45 (1143)	49 (1245)
4	6	18B	BASE	6	9	11	12	15	16	16	16	17	17	18	18	18	18	18	18	18	18	18	18	18	18	18	18	18	18	18	18	18
5	6	11A & C	BASE																													
5	6	15	BASE																													
5	6	17	BASE																													
6	8	11	BASE																													
8	8	11B	BASE																													
6	8	11HH	BASE	9	12	13	16	17	18	18	18	18	18	18	18	18	18	18	18	18	18	18	18	18	18	18	18	18	18	18	18	18
6	8	14HH	BASE																													
6	8	15	BASE																													
6	8	18A, B & C	BASE																													
6	8	20	BASE																													
8	10	12 & 12A	BASE																													
8	10	15A & B	BASE	9	12	13	16	17	18	18	18	18	18	18	18	18	18	18	18	18	18	18	18	18	18	18	18	18	18	18	18	18
8	10	17B	BASE																													

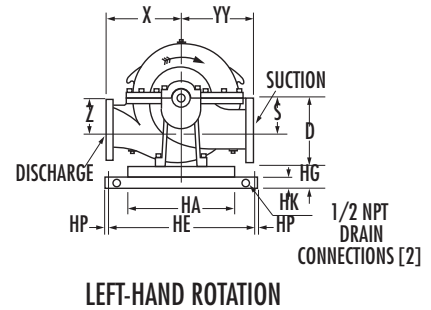
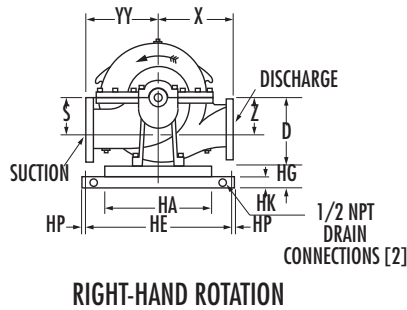
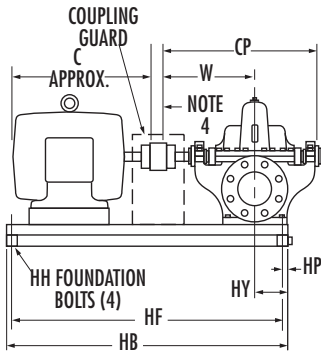
NOTES:

- All dimensions in inches (mm).
- Dimensions may vary ± 3/8" (10).
- Not for construction purposes unless certified.
- Coupling gap may vary 1/8" (3) to 2-1/16" (52).
- Conduit box is shown in approximate location. Dimensions are not specified as they vary with each motor manufacturer.

- Discharge and suction flanges – ANSI Standard flat face.
- 1/4" NPT gauge tap on top of suction/discharge flanges.
- ** Dimension "D" is 12" (305) when using frames 405TS-449T.
- † Dimension "D" is 14-1/2" (368) when using frames 404TS thru 449T.

STD. 125# FLANGES	OPT. 250# FLANGES
-------------------	-------------------

ON STEEL DRIP RIM BASE 8"-10"-12"-14" PUMPS POWER SERIES NO. 6B-7-7A



BASE	SIZE	HA	HB	HE	HF	HG	HH	HK	HP
13	18 x 64	18 (457)	64-1/2 (1638)	25-1/8 (638)	62-7/8 (1597)	4 (102)	1-1/8 (29)	2 (51)	13/16 (21)
17	22 x 74	22 (559)	74-1/2 (1892)	29-1/8 (740)	72-7/8 (1851)	4-1/2 (114)	1-1/8 (29)	2 (51)	13/16 (21)
18	22 x 82	22 (559)	82-1/2 (2096)	29-1/8 (740)	80-7/8 (2054)	4-1/2 (114)	1-1/8 (29)	2 (51)	13/16 (21)

PUMP SIZE			POWER SERIES	D	S	W	X	Z	CP	HY	YY
DISCH	SUCT	CASE BORE									
8	10	21 & 21A	6B	18-1/2 (467)	9-1/2 (241)	21-7/8 (556)	18 (457)	9-1/2 (241)	38 (965)	11-1/2 (292)	21 (533)
		12B		23 (584)	12 (305)		16 (406)	12 (305)			19 (483)
				15B & C	25 (635)		13-1/2 (343)	17 (432)			13-1/2 (343)
		18			25 (635)		13-1/2 (343)	18 (457)			13-1/2 (343)
10	12	18D	7A	25 (635)	12-1/4 (311)	24-5/16 (556)	20 (508)	12-1/4 (311)	42-15/16 (1091)	11 (279)	24 (610)
8	12	24	7	26 (660)	15 (381)	25-1/4 (641)	20 (508)	15 (381)	43-7/8 (1114)	11-1/2 (292)	25 (635)
		15B		24 (610)	15 (381)		17 (432)	15 (381)			22 (559)
				18A	24 (610)		15 (381)	18 (457)			15 (381)
		18			29-1/4 (743)		16 (406)	22 (559)			16 (406)

PUMP SIZE		FRAME	286TS	286T	324TS	324T	326TS	326T	364TS	364T	365TS	365T	404TS	404T	405TS	405T	444TS	444T	445TS	445T	447TS	447T	449TS	449T			
DISCH	SUCT	CASE BORE	C	24 (610)	25 (635)	25 (635)	26 (660)	26 (660)	28 (711)	27 (686)	29 (737)	28 (711)	30 (762)	30 (762)	33 (838)	31 (787)	35 (889)	34 (864)	38 (965)	36 (914)	40 (1016)	40 (1016)	44 (1118)	45 (1143)	49 (1245)		
8	10	21 & 21A	BASE	13										17										18			
10	12	12B	BASE	13										17										18			
10	12	15B & C	BASE	13										17										18			
10	12	18	BASE	13										17										18			
10	12	18D	BASE	13										17										18			
8	12	24	BASE	13										17										18			
12	14	15B	BASE	13										17										18			
12	14	18A	BASE	13										17										18			
14	16	18	BASE	13										17										18			

NOTES:

- All dimensions in inches (mm).
- Dimensions may vary ± 3/8" (10).
- Not for construction purposes unless certified.
- Coupling gap may vary 1/8" (3) to 2-1/16" (52).
- Conduit box is shown in approximate location. Dimensions are not specified as they vary with each motor manufacturer.
- Discharge and suction flanges – ANSI Standard flat face.
- 1/4" NPT gauge tap on top of suction/discharge flanges.

STD. 125# FLANGES	OPT. 250# FLANGES
-------------------	-------------------



800 Airport Road | North Aurora, Illinois 60542 | Ph: 630.859.7000 | pentair.com

All indicated Pentair trademarks and logos are property of Pentair. Third party registered and unregistered trademarks and logos are the property of their respective owners. Because we are continuously improving our products and services, Pentair reserves the right to change specifications without prior notice. Pentair is an equal opportunity employer.