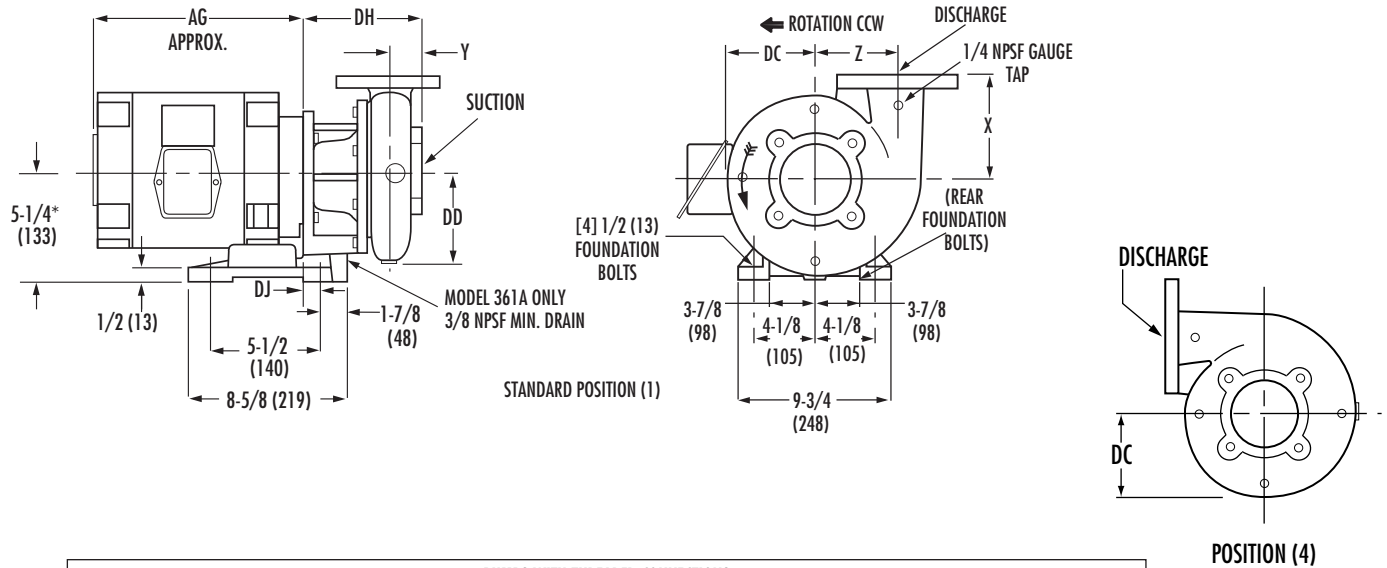


AURORA® MODEL 341A & 361A PUMPS

JM & JP MOTOR FRAMES

143 THROUGH 184



PUMPS WITH THREADED CONNECTIONS											
DISCHARGE	SUCTION	CASE BORE	X	Y	Z	DC	DD	DH		DJ	
								341A	361A	341A	361A
1-1/4	1-1/2	7	5-1/4 (133)	2-7/16 (62)	4-3/16 (106)	4-15/16 (125)	5-3/16 (132)	7-3/16 (183)	10-1/4 (266)		
1-1/4	1-1/2	9	6-5/8 (168)	2-9/16 (65)	5-3/8 (136)	6-3/16 (157)	6-3/8 (162)	7-1/4 (184)	10-5/16 (261)		
1-1/2	2	7	5-3/8 (136)	2-1/2 (63)	4-5/16 (109)	5-1/8 (130)	5-3/8 (136)	7-5/16 (186)	10-3/8 (263)		
1-1/2	2	9	6-3/4 (171)	2-5/8 (67)	5-1/2 (140)	6-5/16 (160)	6-9/16 (167)	7-3/8 (187)	10-7/16 (262)		
PUMPS WITH AM. STD. 125 LB. FLANGED CONNECTIONS											
2	2-1/2	7	5-5/8 (143)	1-7/8 (48)	4-9/16 (116)	5-3/8 (136)	5-13/16 (148)	6-13/16 (173)	9-7/8 (250)	5/8 (16)	1-7/8 (48)
2	2-1/2	9	7 (178)	1-7/8 (48)	5-11/16 (144)	6-1/2 (165)	6-7/8 (175)	6-3/4 (171)	9-13/16 (249)		
2-1/2	3	7	5-7/8 (149)	2 (51)	4-13/16 (122)	5-13/16 (148)	6-1/4 (159)	7-1/16 (179)	10-1/8 (257)		
2-1/2	3	9	7-1/4 (184)	2 (51)	5-15/16 (151)	6-3/4 (171)	7-1/4 (184)	7 (178)	10-1/16 (255)		
3	4	9	7-1/2 (190)	2-1/8 (54)	6-1/8 (156)	6-7/8 (175)	7-7/16 (189)	7-1/4 (184)	10-5/16 (261)		
4	4	7	6-1/2 (165)	2-1/2 (63)	5-1/2 (140)	6-7/16 (163)	7-5/16 (186)	7-15/16 (202)	11 (279)		
4	5	9A	7-1/4 (184)	3-1/8 (79)	5-3/4 (146)	6-11/16 (169)	7-3/8 (187)	8-3/8 (212)	11-7/16 (290)		
4	5	9B	7-3/4 (196)	2-5/8 (66)	6-5/8 (168)	8-1/16 (204)	8-11/16 (220)	8 (203)	11 (279)		

JM OR JP

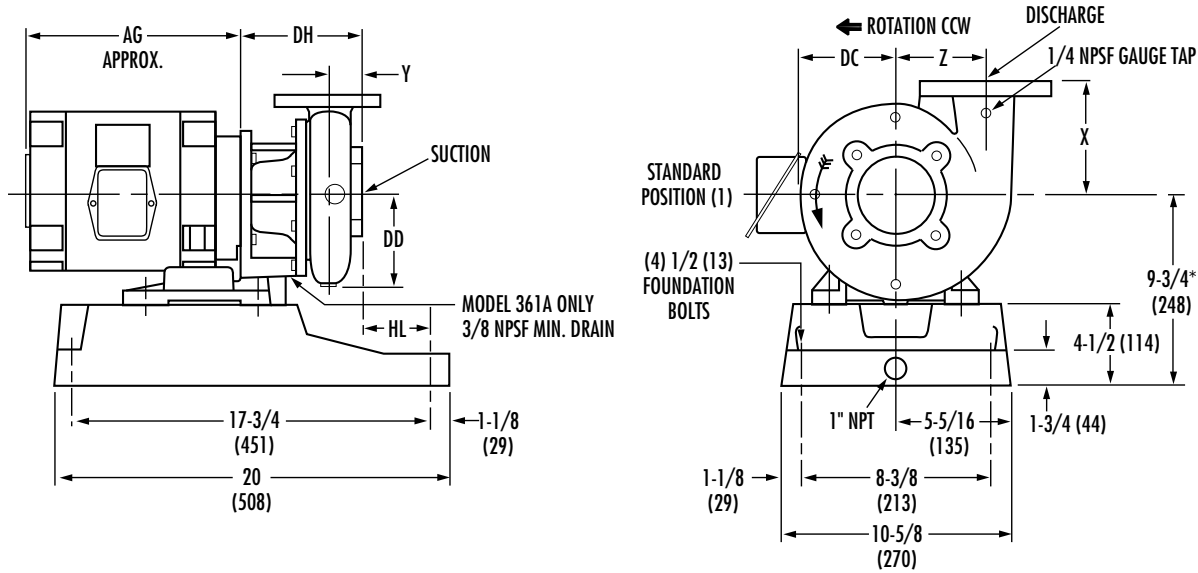
FRAME	AG
143	10 (254)
145	11 (279)
182	11 (279)
184	12 (305)

NOTES:

- All dimensions in inches and (mm).
 - Dimensions may vary ± 1/4 (6).
 - Not for construction purposes unless certified.
 - Check discharge position. Casing dimension which exceed 5-1/4 (133) height may require pads for the support.
 - Conduit box is shown in approximate location. Dimensions are not specified as they vary with each motor manufacturer.
 - Model 341A uses JM motor frames.
Model 361A uses JP motor frames.
- * 6-1/4 (159) for 9 (229) case bore pumps (Model 341A only).

AURORA® MODEL 341A & 361A PUMPS

ON CAST IRON BASE JM & JP MOTOR FRAMES 143 THROUGH 184



PUMPS WITH THREADED CONNECTIONS											
DISCHARGE	SUCTION	CASE BORE	X	Y	Z	DC	DD	DH		HL	
								341A	361A	341A	361A
1-1/4	1-1/2	7	5-1/4 (133)	2-7/16 (62)	4-3/16 (106)	4-15/16 (125)	5-3/16 (132)	7-3/16 (183)	10-1/4 (260)	3-3/16 (81)	1-3/8 (35)
1-1/4	1-1/2	9	6-5/8 (168)	2-9/16 (65)	5-3/8 (136)	6-3/16 (157)	6-3/8 (162)	7-1/4 (184)	10-5/16 (262)	3-1/8 (79)	1-5/16 (33)
1-1/2	2	7	5-3/8 (136)	2-1/2 (63)	4-5/16 (109)	5-1/8 (130)	5-3/8 (136)	7-5/16 (186)	10-3/8 (264)	3-1/16 (78)	1-1/4 (32)
1-1/2	2	9	6-3/4 (171)	2-5/8 (67)	5-1/2 (140)	6-5/16 (160)	6-9/16 (167)	7-3/8 (187)	10-7/16 (265)	3 (76)	1-3/16 (30)
PUMPS WITH AM. STD. 125 LB. FLANGED CONNECTIONS											
2	2-1/2	7	5-5/8 (143)	1-7/8 (48)	4-9/16 (116)	5-3/8 (136)	5-13/16 (148)	6-13/16 (173)	9-7/8 (251)	3-9/16 (90)	1-3/4 (44)
2	2-1/2	9	7 (178)	1-7/8 (48)	5-11/16 (144)	6-1/2 (165)	6-7/8 (175)	6-3/4 (171)	9-13/16 (249)	3-5/8 (92)	1-13/16 (46)
2-1/2	3	7	5-7/8 (149)	2 (51)	4-13/16 (122)	5-13/16 (148)	6-1/4 (159)	7-1/16 (179)	10-1/8 (257)	3-5/16 (84)	1-1/2 (38)
2-1/2	3	9	7-1/4 (184)	2 (51)	5-15/16 (151)	6-3/4 (171)	7-1/4 (184)	7 (178)	10-1/16 (256)	3-3/8 (86)	1-9/16 (32)
3	4	9	7-1/2 (190)	2-1/8 (54)	6-1/8 (156)	6-7/8 (175)	7-7/16 (189)	7-1/4 (184)	10-5/16 (262)	3-1/8 (80)	1-5/16 (33)
4	4	7	6-1/2 (165)	2-1/2 (63)	5-1/2 (140)	6-7/16 (163)	7-5/16 (186)	7-15/16 (202)	11 (279)	2-7/16 (62)	5/8 (16)

JM OR JP	
FRAME	AG
143	10 (254)
145	11 (279)
182	11 (279)
184	12 (305)

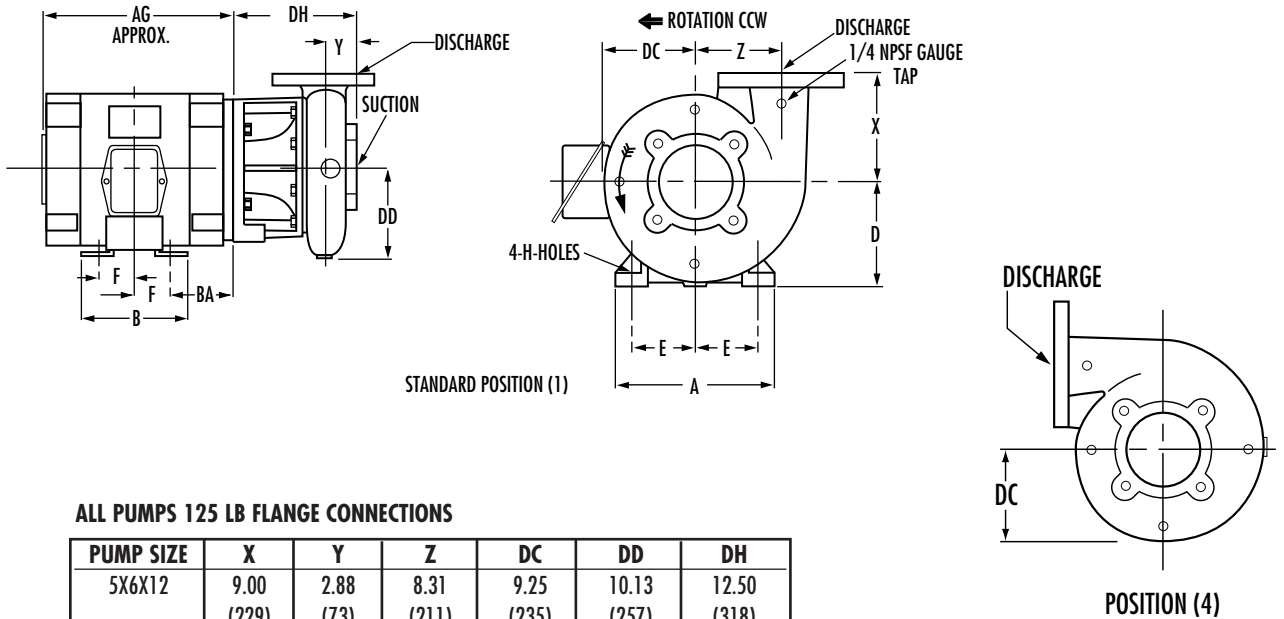
NOTES:

- All dimensions in inches and (mm).
 - Dimensions may vary $\pm 1/4$ (6).
 - Not for construction purposes unless certified.
 - Conduit box is shown in approximate location. Dimensions are not specified as they vary with each motor manufacturer.
- * 10-3/4 (159) for 9 (229) case bore pumps (Model 341A only).

AURORA® MODEL 341A

5X6X12, 6X6X12
 364TCZ FRAME

Supersedes Section 340/360 Page 204
 Dated October 2003



STANDARD POSITION (1)

POSITION (4)

ALL PUMPS 125 LB FLANGE CONNECTIONS

PUMP SIZE	X	Y	Z	DC	DD	DH
5X6X12	9.00 (229)	2.88 (73)	8.31 (211)	9.25 (235)	10.13 (257)	12.50 (318)
6X6X12B	9.25 (235)	3.13 (80)	8.69 (221)	9.69 (246)	11.25 (286)	14.25 (362)

MOTOR FRAME	364TCZ	365TCZ
A	18.00 (457)	18.00 (457)
B	14.75 (375)	15.75 (400)
D	9.00 (229)	9.00 (229)
E	7.00 (178)	7.00 (178)
F	5.63 (143)	6.13 (156)
H	0.66 (17)	0.66 (17)
AG approx.	26 (660)	28 (711)
BA	5.88 (149)	5.88 (149)

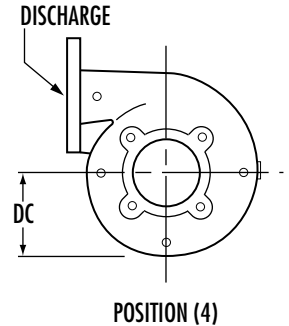
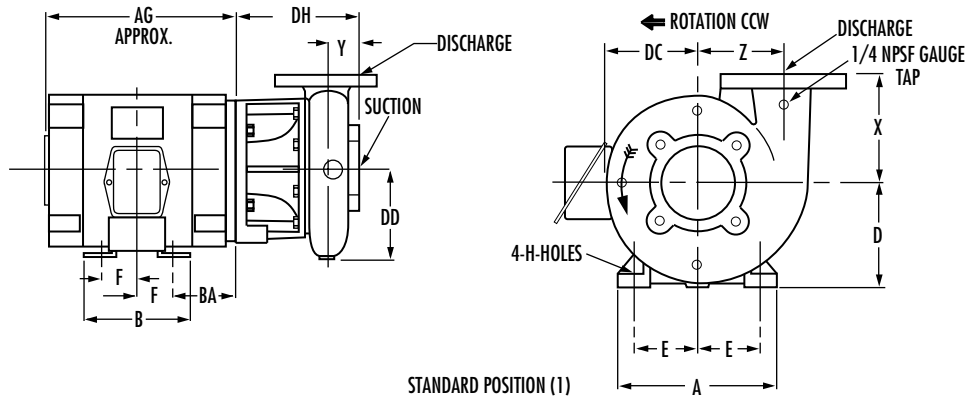
NOTES:

1. All dimensions in inches (mm), weight in pounds (KG).
2. Dimensions may vary $\pm 1/4"$ (6).
3. Not for construction purposes unless certified.
4. Conduit box is not specified as they vary with each motor manufacturer.

THIS PAGE LEFT INTENTIONALLY BLANK

AURORA® MODEL 341A & 361A PUMPS

JM & JP MOTOR FRAMES 213 THROUGH 326



PUMPS WITH THREADED CONNECTIONS								DH			
DISCHARGE	SUCTION	CASE BORE	X	Y	Z	DC	DD	341A		361A	
								213JM 215JM	254JM 256JM	284JM 326JM	213JP- 326JP
1-1/4	1-1/2	7	5-1/4 (133)	2-7/16 (62)	4-3/16 (106)	4-15/16 (125)	5-3/16 (132)	7-3/16 (183)	N/A	N/A	N/A
1-1/4	1-1/2	9	6-5/8 (168)	2-9/16 (65)	5-3/8 (136)	6-3/16 (157)	6-3/8 (162)	7-1/4 (184)	N/A	N/A	N/A
1-1/2	2	7	5-3/8 (136)	2-1/2 (63)	4-5/16 (109)	5-1/8 (130)	5-3/8 (136)	7-5/16 (186)	N/A	N/A	N/A
1-1/2	2	9	6-3/4 (171)	2-5/8 (67)	5-1/2 (140)	6-5/16 (160)	6-9/16 (167)	7-3/8 (187)	8-3/8 (213)	8-3/8 (213)	11-1/4 (286)
1-1/2	2	11	9 (229)	2-13/16 (71)	6-1/8 (156)	7-1/16 (179)	7-1/4 (184)	7-9/16 (192)	8-9/16 (217)	8-9/16 (217)	11-7/16 (290)
1-1/2	2	12	7-3/4 (197)	2-3/4 (70)	7-1/16 (179)	8 (203)	8-1/4 (210)	7-5/8 (194)	8-5/8 (219)	N/A	11-1/2 (292)

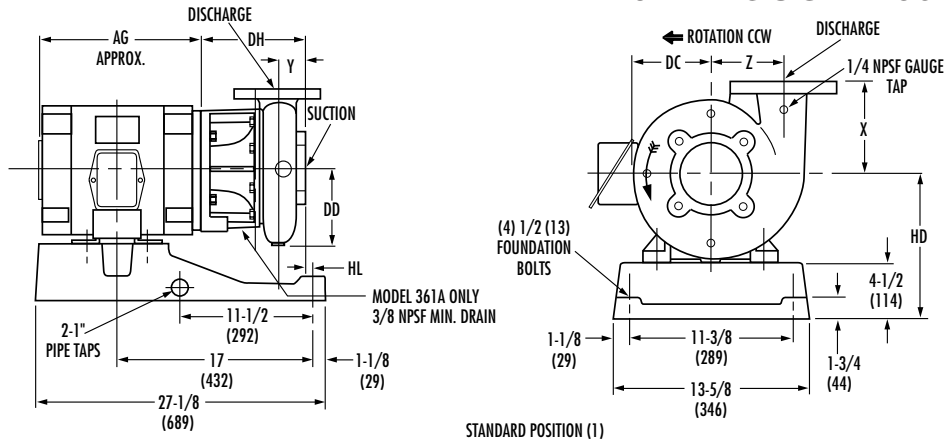
PUMPS WITH ANSI 125 LB. FLANGED CONNECTIONS											
2	2-1/2	7	5-5/8 (143)	1-7/8 (48)	4-9/16 (116)	5-3/8 (136)	5-13/16 (148)	6-13/16 (173)	7-13/16 (198)	N/A	10-11/16 (271)
2	2-1/2	9	7 (178)	1-7/8 (48)	5-11/16 (144)	6-1/2 (165)	6-7/8 (175)	6-3/4 (171)	7-3/4 (197)	7-3/4 (197)	10-5/8 (270)
2	2-1/2	12	8 (203)	1-7/8 (48)	7-3/16 (183)	8-3/16 (208)	8-1/2 (216)	6-7/8 (175)	7-7/8 (200)	N/A	10-3/4 (273)
2	3	11	8 (203)	2-3/8 (60)	6-1/2 (165)	7 (178)	7-3/8 (187)	7-1/2 (190)	8-1/2 (216)	8-1/2 (216)	11-3/8 (289)
2-1/2	3	7	5-7/8 (149)	2 (51)	4-13/16 (122)	5-13/16 (148)	6-1/4 (159)	7-1/16 (179)	8-1/16 (205)	N/A	10-15/16 (278)
2-1/2	3	9	7-1/4 (184)	2 (51)	5-15/16 (151)	6-3/4 (163)	7-1/4 (184)	7 (178)	8 (203)	8 (203)	10-7/8 (276)
2-1/2	3	12	8-1/4 (210)	2 (51)	7-3/8 (187)	8-3/8 (213)	8-3/4 (213)	7-1/8 (181)	8-1/8 (206)	8-1/8 (206)	11 (279)
3	4	9	7-1/2 (190)	2-1/8 (54)	6-1/8 (156)	6-7/8 (175)	7-7/16 (189)	7-1/4 (184)	8-1/4 (210)	8-1/4 (210)	11-1/8 (283)
3	4	11	9 (229)	2-3/4 (70)	7 (179)	7-9/16 (192)	8-3/16 (208)	8-3/16 (208)	9-3/16 (233)	9-3/16 (233)	12-1/16 (306)
3	4	12	8-1/2 (216)	2-1/8 (54)	7-9/16 (192)	8-7/16 (214)	8-15/16 (227)	7-5/8 (194)	8-5/8 (219)	8-5/8 (219)	11-1/4 (286)
4	4	7	6-1/2 (165)	2-1/2 (63)	5-1/2 (140)	6-7/16 (163)	7-5/16 (186)	7-15/16 (202)	8-15/16 (227)	8-15/16 (227)	11-13/16 (300)
4	5	9A	7-1/4 (184)	3-1/8 (79)	5-3/4 (146)	6-11/16 (170)	7-3/8 (187)	8-3/8 (213)	9-3/8 (238)	9-3/8 (238)	12-1/4 (311)
4	5	9B	7-3/4 (197)	2-5/8 (67)	6-5/8 (168)	8-1/16 (205)	8-11/16 (221)	8 (203)	9 (229)	N/A	11-7/8 (302)
4	5	11	9 (229)	3 (76)	7-1/4 (184)	7-15/16 (202)	8-11/16 (221)	8-5/8 (219)	9-5/8 (244)	9-5/8 (244)	12-1/2 (317)
4	5	12	8-3/4 (222)	2-5/8 (67)	7-15/16 (202)	8-7/8 (225)	9-9/16 (243)	N/A	9-3/8 (238)	9-3/8 (238)	12 (305)
5	6	11	9 (229)	3-1/8 (79)	8-1/16 (205)	8-11/16 (221)	10-1/8 (257)	9-1/8 (232)	10-1/8 (257)	10-1/8 (259)	13 (330)
5	6	12	9 (229)	2-7/8 (73)	8-5/16 (211)	9-1/4 (235)	10-1/8 (257)	N/A	9-7/8 (251)	9-7/8 (251)	12-1/2 (317)
6	6	9	8-1/4 (210)	2-3/4 (70)	7 (178)	8 (203)	9 (229)	8-1/4 (210)	9-1/4 (235)	N/A	12-1/8 (308)
6	6	11	9-1/4 (235)	3-1/8 (79)	8-11/16 (221)	9-11/16 (246)	11-1/4 (286)	9-7/8 (251)	10-3/8 (264)	10-3/8 (264)	13 (330)
6	6	12	9-1/4 (235)	3-1/8 (79)	8-11/16 (221)	9-11/16 (246)	11-1/4 (286)	N/A	10-3/8 (264)	10-3/8 (264)	13 (330)

NOTES:

- All dimensions in inches and (mm).
- Dimensions may vary ± 1/4 (6).
- Not for construction purposes unless certified.
- N/A = Not Applicable.
- Check discharge position, casing dimensions which exceed dimension "D" may require pads for the motor.
- Conduit box is shown in approximate location. Dimensions are not specified as they vary with each motor manufacturer.

JM OR JP MOTOR FRAMES

FRAME	213	215	254	256	284	286	324	326
A	10-1/2 (267)	10-1/2 (267)	12-1/2 (317)	12-1/2 (317)	14 (356)	14 (356)	16 (406)	16 (406)
B	7-1/2 (190)	9 (229)	10-3/4 (273)	12-1/2 (317)	12-1/2 (317)	14 (356)	14 (356)	15-1/2 (394)
D	5-1/4 (133)	5-1/4 (133)	6-1/4 (159)	6-1/4 (159)	7 (178)	7 (178)	8 (203)	8 (203)
E	4-1/4 (108)	4-1/4 (108)	5 (127)	5 (127)	5-1/2 (140)	5-1/2 (140)	6-1/4 (159)	6-1/4 (159)
F	2-3/4 (70)	3-1/2 (89)	4-1/8 (111)	5 (127)	5 (121)	5-1/2 (140)	5-1/2 (133)	6 (152)
H	13/32 (10)	13/32 (10)	17/32 (13)	17/32 (13)	17/32 (13)	17/32 (13)	21/32 (16)	21/32 (16)
AG APPROX.	14 (356)	15 (381)	17-1/2 (444)	19 (483)	19 (483)	21 (533)	22 (559)	23 (584)
BA	4-1/2 (114)	4-1/2 (114)	5 (127)	5 (127)	5 (127)	5 (127)	5-1/2 (140)	5-1/2 (140)



JM OR JP

FRAME	AG
213	14 (355)
215	15 (381)
254	17 (431)
256	19 (355)

PUMPS WITH THREADED CONNECTIONS										DH			HD		HL					
DISCHARGE	SUCTION	CASE BORE	X	Y	Z	DC	DD	341A		361A	213	254	341A		213JM	254JM	213JP			
								213JM	254JM	213JP-			215	256				215JM	256JM	256JP
								215JM	256JM	256JP			215	256				215JM	256JM	256JP
1 1/4	1 1/2	7	5-1/4 (133)	2-7/16 (62)	4-3/16 (106)	4-15/16 (125)	5-3/16 (132)	7-3/16 (183)	N/A	N/A	9-3/4* (248)	N/A	1-15/16 (49)	N/A	N/A	N/A	N/A			
1-1/4	1-1/2	9	6-5/8 (168)	2-9/16 (65)	5-3/8 (137)	6-3/16 (157)	6-3/8 (162)	7-1/4 (184)	N/A	N/A	9-3/4* (248)	N/A	1-7/8 (48)	N/A	N/A	N/A	N/A			
1-1/2	2	7	5-3/8 (137)	2-1/2 (64)	4-5/16 (110)	5-1/8 (130)	5-3/8 (137)	7-5/16 (186)	N/A	N/A	9-3/4* (248)	N/A	1-13/16 (46)	N/A	N/A	N/A	N/A			
1-1/2	2	9	6-3/4 (171)	2-5/8 (67)	5-1/2 (140)	6-5/16 (160)	6-9/16 (167)	7-3/8 (187)	8-3/8 (213)	11-1/4 (286)	9-3/4 (248)	10-3/4 (273)	1-3/4 (44)	3/4 (19)	2-1/8 (54)	N/A	N/A			
1-1/2	2	11	9 (229)	2-13/16 (71)	6-1/8 (156)	7-1/16 (179)	7-1/4 (184)	7-9/16 (192)	N/A	11-7/16 (291)	9-3/4 (248)	N/A	1-1/2 (38)	N/A	2-3/8 (60)	N/A	N/A			
1-1/2	2	12	7-3/4 (197)	2-3/4 (70)	7-1/16 (179)	8 (203)	8-1/4 (210)	7-5/8 (194)	8-5/8 (219)	11-1/2 (292)	10-1/2 (267)	10-3/4 (273)	1-1/2 (38)	1/2 (13)	2-3/8 (60)	N/A	N/A			
PUMPS-WITH-ANSI-125-LB.-FLANGED-CONNECTIONS																				
2	2-1/2	7	5-5/8 (143)	1-7/8 (48)	4-9/16 (116)	5-3/8 (137)	5-13/16 (148)	6-13/16 (173)	7-13/16 (198)	10-11/16 (271)	9-3/4 (248)	10-3/4 (273)	2-5/16 (59)	1-5/16 (33)	1-9/16 (40)	N/A	N/A			
2	2-1/2	9	7 (178)	1-7/8 (48)	5-11/16 (144)	6-1/2 (165)	6-7/8 (175)	6-3/4 (171)	7-3/4 (197)	10-5/8 (270)	9-3/4 (248)	10-3/4 (273)	2-3/8 (60)	1-3/8 (35)	1-1/2 (38)	N/A	N/A			
2	2-1/2	12	8 (203)	1-7/8 (48)	7-3/16 (183)	8-3/16 (208)	8-1/2 (216)	6-7/8 (175)	7-7/8 (200)	10-3/4 (273)	10-1/2 (267)	10-3/4 (273)	2-1/4 (57)	1-1/4 (32)	1-5/8 (41)	N/A	N/A			
2	3	11	8 (203)	2-3/8 (60)	6-1/2 (165)	7 (178)	7-3/8 (187)	7-1/2 (191)	8-1/2 (216)	11-3/8 (289)	9-3/4 (248)	10-3/4 (273)	1-1/2 (38)	1/2 (13)	2-1/16 (52)	N/A	N/A			
2-1/2	3	7	5-7/8 (149)	2 (51)	4-13/16 (122)	5-13/16 (148)	6-1/4 (159)	7-1/16 (179)	8-1/16 (205)	10-15/16 (278)	9-3/4 (248)	10-3/4 (273)	2-1/16 (52)	1-1/16 (27)	1-13/16 (46)	N/A	N/A			
2-1/2	3	9	7-1/4 (184)	2 (51)	5-15/16 (151)	6-3/4 (171)	7-1/4 (184)	7 (178)	8 (203)	10-7/8 (276)	9-3/4 (248)	10-3/4 (273)	2-1/8 (54)	1-1/8 (29)	1-3/4 (44)	N/A	N/A			
2-1/2	3	12	8-1/4 (210)	2 (51)	7-3/8 (187)	8-3/8 (213)	8-3/4 (222)	7-1/8 (181)	8-1/8 (206)	11 (279)	10-1/2 (267)	10-3/4 (273)	2 (51)	1 (25)	1-7/8 (48)	N/A	N/A			
3	4	9	7-1/2 (191)	2-1/8 (54)	6-1/8 (156)	6-7/8 (175)	7-7/16 (189)	7-1/4 (184)	8-1/4 (210)	11-1/8 (283)	9-3/4 (248)	10-3/4 (273)	1-7/8 (48)	7/8 (22)	2 (51)	N/A	N/A			
3	4	11	9 (229)	2-3/4 (70)	7 (178)	7-9/16 (192)	8-3/16 (208)	8-3/16 (208)	9-3/16 (233)	12-1/16 (306)	10-1/2 (267)	10-3/4 (273)	13/16 (20)	0	2-3/4 (70)	N/A	N/A			
3	4	12	8-1/2 (216)	2-1/8 (54)	7-9/16 (192)	8-7/16 (214)	8-15/16 (227)	7-5/8 (194)	8-5/8 (219)	11-1/4 (286)	10-1/2 (267)	10-3/4 (273)	1-3/4 (44)	3/4 (19)	2-1/8 (54)	N/A	N/A			
4	4	7	6-1/2 (165)	2-1/2 (64)	5-1/2 (140)	6-7/16 (164)	7-5/16 (186)	7-15/16 (202)	8-15/16 (227)	11-13/16 (300)	9-3/4 (248)	10-3/4 (273)	1-3/16 (30)	3/16 (4)	2-11/16 (68)	N/A	N/A			
4	5	9A	7-1/4 (184)	3-1/8 (79)	5-3/4 (146)	6-11/16 (170)	7-3/8 (187)	8-3/8 (213)	N/A	12-1/4 (311)	9-3/4 (248)	N/A	3/4 (19)	N/A	3-1/8 (79)	N/A	N/A			
4	5	9B	7-3/4 (197)	2-5/8 (67)	6-5/8 (168)	8-1/16 (205)	8-11/16 (221)	8 (203)	9 (229)	11-7/8 (302)	10-1/2 (267)	10-3/4 (273)	1-1/8 (29)	1/8 (3)	2-3/4 (70)	N/A	N/A			
4	5	11	9 (229)	3 (76)	7-1/4 (184)	7-15/16 (202)	8-11/16 (221)	8-5/8 (219)	9-5/8 (244)	12-1/2 (318)	11-1/4 (286)	11-1/2 (292)	3/8 (10)	0	3-3/16 (81)	N/A	N/A			
4	5	12	8-3/4 (222)	2-5/8 (67)	7-15/16 (202)	8-7/8 (225)	9-9/16 (243)	N/A	9-9/8 (238)	12 (305)	N/A	10-3/4 (273)	N/A	0	2-7/8 (73)	N/A	N/A			
5	6	11	9 (229)	3-1/8 (79)	8-1/16 (205)	8-11/16 (221)	10-1/8 (257)	9-1/8 (232)	10-1/8 (257)	13 (330)	12-1/4 (311)	12-1/4 (311)	0	0	3-11/16 (94)	N/A	N/A			
6	6	9	8-1/4 (210)	2-3/4 (70)	7 (178)	8 (203)	9 (229)	8-1/4 (210)	9-1/4 (235)	12-1/8 (308)	10-1/2 (267)	10-3/4 (273)	7/8 (22)	0	3 (76)	N/A	N/A			

NOTES:

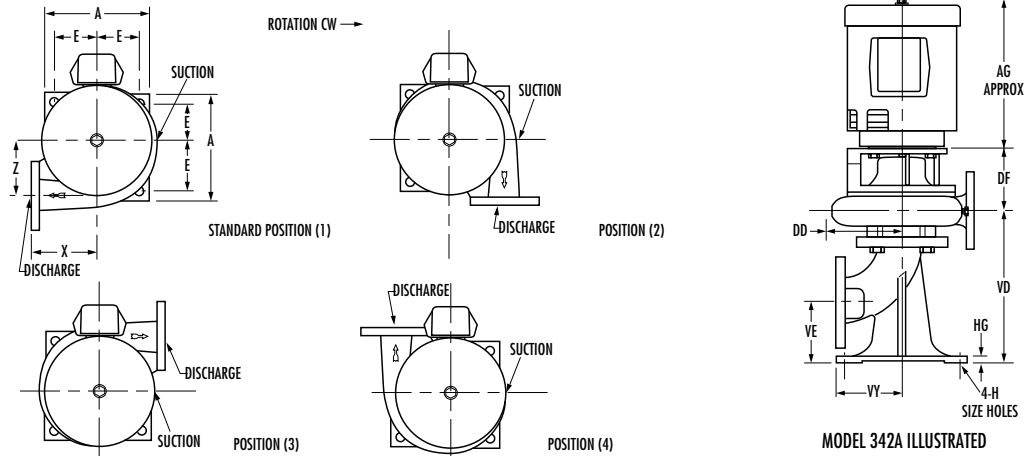
- All dimensions in inches and (mm).
- Dimensions may vary ± 1/4 (6).
- Not for construction purposes unless certified.
- N/A = Not Applicable.
- Conduit box is shown in approximate location. Dimensions are not specified as they vary with each motor manufacturer.

AURORA® MODEL 342A & 362A PUMPS

JM OR JP

FRAME	AG
143	10 (254)
145	11 (276)
182	11 (276)
184	12 (304)
213	14 (255)
215	15 (381)
254	17 (431)
256	19 (482)
284	19 (482)
286	21 (533)
324	22 (558)
326	23 (584)

JM & JP MOTOR FRAMES 143 THROUGH 326



PUMPS WITH FLANGED SUCTION CONNECTIONS AND THREADED DISCHARGE CONNECTIONS

DISCHARGE	SUCTION	CASE BORE	A	E	H	X	Z	DD	342A DF				362A DF		HG	VD	VE	VY
									143JM 215JM	254JM 256JM	284JM 326JM	143JP 184JP	213JP 326JP					
1-1/4	1-1/2	7	9 (228)	3-3/4 (95)	5/8 (16)	5-1/4 (133)	4-3/16 (106)	5-3/16 (132)	4-3/4 (121)	N/A	N/A	7-13/16 (198)	N/A	1/2 (13)	9-3/8 (238)	3-3/4 (95)	4 (102)	
1-1/4	1-1/2	9	9 (228)	3-3/4 (95)	5/8 (16)	6-5/8 (168)	5-3/8 (137)	6-3/8 (162)	4-11/16 (119)	N/A	N/A	7-3/4 (197)	N/A	1/2 (13)	9-3/8 (238)	3-3/4 (95)	4 (102)	
1-1/2	2	7	10 (254)	4-1/8 (105)	3/4 (19)	5-3/8 (137)	4-5/16 (110)	5-3/8 (137)	4-13/16 (122)	N/A	N/A	7-7/8 (200)	N/A	1/2 (13)	10-5/16 (262)	4-1/8 (105)	4-1/2 (114)	
1-1/2	2	9	10 (254)	4-1/8 (105)	3/4 (19)	6-3/4 (171)	5-1/2 (140)	6-9/16 (167)	4-3/4 (121)	5-3/4 (146)	N/A	7-13/16 (198)	8-5/8 (219)	1/2 (13)	10-5/16 (262)	4-1/8 (105)	4-1/2 (114)	
1-1/2	2	11	10 (254)	4-1/8 (105)	3/4 (19)	9 (229)	6-1/8 (156)	7-1/4 (184)	4-3/4 (121)	N/A	N/A	N/A	8-5/8 (219)	1/2 (13)	10-1/2 (267)	4-1/8 (105)	4-1/2 (114)	
1-1/2	2	12	10 (254)	4-1/8 (105)	3/4 (19)	7-3/4 (197)	7-1/16 (179)	8-1/4 (210)	4-7/8 (124)	5-7/8 (149)	N/A	N/A	8-3/4 (222)	1/2 (13)	10-7/16 (265)	4-1/8 (105)	4-1/2 (114)	

PUMPS WITH ANSI-LB.-FLANGED CONNECTIONS

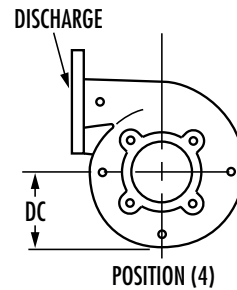
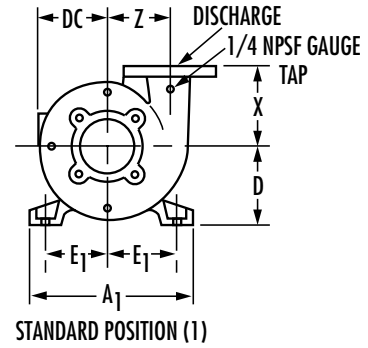
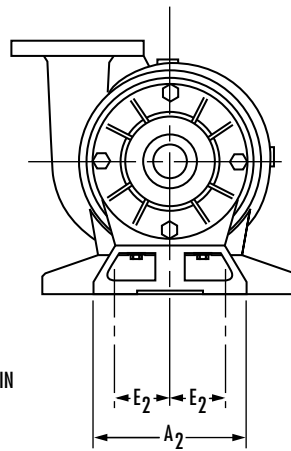
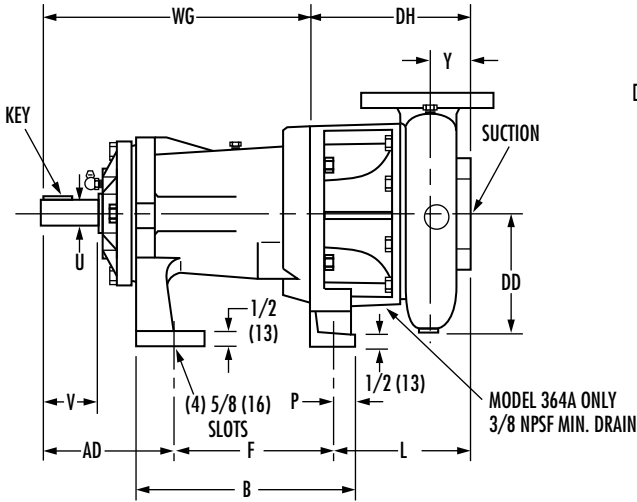
2	2-1/2	7	10 (254)	4-1/8 (105)	3/4 (19)	5-5/8 (143)	4-9/16 (116)	5-13/16 (148)	4-15/16 (125)	5-15/16 (151)	N/A	8 (203)	8-13/16 (224)	1/2 (13)	11-7/16 (291)	4-1/2 (114)	5 (127)
2	2-1/2	9	10 (254)	4-1/8 (105)	3/4 (19)	7 (178)	5-11/16 (144)	6-7/8 (175)	4-7/8 (124)	5-7/8 (149)	5-7/8 (149)	7-15/16 (202)	8-3/4 (222)	1/2 (13)	11-7/16 (291)	4-1/2 (114)	5 (127)
2	2-1/2	12	10 (254)	4-1/8 (105)	3/4 (19)	8 (203)	7-3/16 (183)	8-1/2 (216)	5 (127)	6 (152)	N/A	N/A	8-7/8 (225)	1/2 (13)	11-7/16 (291)	4-1/2 (114)	5 (127)
2	3	11	13-1/2 (342)	5-3/4 (146)	3/4 (19)	8 (203)	6-1/2 (165)	7-3/8 (187)	5-1/8 (130)	6-1/8 (156)	6-1/8 (156)	N/A	8-5/8 (219)	1/2 (13)	12-7/8 (327)	5 (127)	5-1/2 (140)
2-1/2	3	7	13-1/2 (342)	5-3/4 (146)	3/4 (19)	5-7/8 (149)	4-13/16 (122)	6-1/4 (159)	5-1/16 (129)	6-1/16 (154)	N/A	8-1/8 (206)	8-15/16 (227)	1/2 (13)	12-9/16 (319)	5 (127)	5-1/2 (140)
2-1/2	3	9	13-1/2 (342)	5-3/4 (146)	3/4 (19)	7-1/4 (184)	5-15/16 (151)	7-1/4 (184)	5 (127)	6 (152)	6 (152)	8-1/16 (205)	8-7/8 (225)	1/2 (13)	12-9/16 (319)	5 (127)	5-1/2 (140)
2-1/2	3	12	13-1/2 (342)	5-3/4 (146)	3/4 (19)	8-1/4 (210)	7-3/8 (187)	8-3/4 (222)	5-1/8 (130)	6-1/8 (156)	6-1/8 (156)	N/A	9 (229)	1/2 (13)	12-9/16 (319)	5 (127)	5-1/2 (140)
3	4	9	13-1/2 (342)	5-3/4 (146)	3/4 (19)	7-1/2 (191)	6-1/8 (156)	7-7/16 (189)	5-1/8 (130)	6-1/8 (156)	6-1/8 (156)	8-3/16 (208)	9 (229)	5/8 (16)	14-11/16 (373)	6 (152)	6-1/2 (165)
3	4	11	13-1/2 (342)	5-3/4 (146)	3/4 (19)	9 (229)	7 (178)	8-3/16 (208)	5-7/16 (138)	6-7/16 (164)	6-7/16 (164)	N/A	9-1/8 (232)	5/8 (16)	15-1/4 (387)	6 (152)	6-1/2 (165)
3	4	12	13-1/2 (342)	5-3/4 (146)	3/4 (19)	8-1/2 (216)	7-9/16 (192)	8-15/16 (227)	5-1/2 (140)	6-1/2 (165)	6-1/2 (165)	N/A	9-1/8 (232)	5/8 (16)	14-11/16 (373)	6 (152)	6-1/2 (165)
4	4	7	13-1/2 (342)	5-3/4 (146)	3/4 (19)	6-1/2 (165)	5-1/2 (140)	7-5/16 (186)	5-7/16 (138)	6-7/16 (164)	N/A	8-1/2 (216)	9-5/16 (237)	5/8 (16)	14-15/16 (379)	6 (152)	6-1/2 (165)
4	5	9A	15 (381)	6-3/8 (162)	7/8 (22)	7-1/4 (184)	5-3/4 (146)	7-3/8 (187)	5-1/4 (133)	6-1/4 (159)	6-1/4 (159)	N/A	9-1/8 (232)	3/4 (19)	17-3/16 (437)	6-1/2 (165)	7-1/2 (191)
4	5	9B	15 (381)	6-3/8 (162)	7/8 (22)	7-3/4 (197)	6-5/8 (168)	8-11/16 (221)	5-3/8 (137)	6-3/8 (162)	N/A	N/A	9-1/4 (235)	3/4 (19)	16-11/16 (424)	6-1/2 (165)	7-1/2 (191)
4	5	11	15 (381)	6-3/8 (162)	7/8 (22)	9 (229)	7-1/4 (184)	8-11/16 (221)	5-5/8 (143)	6-5/8 (168)	6-5/8 (168)	N/A	9-1/4 (235)	3/4 (19)	17 (432)	6-1/2 (165)	7-1/2 (191)
4	5	12	15 (381)	6-3/8 (162)	7/8 (22)	8-3/4 (222)	7-15/16 (202)	9-9/16 (243)	N/A	6-3/4 (171)	6-3/4 (171)	N/A	9-3/8 (238)	3/4 (19)	16-11/16 (424)	6-1/2 (165)	7-1/2 (191)
5	6	11	15 (381)	6-3/8 (162)	7/8 (22)	9 (229)	8-1/16 (205)	10-1/8 (257)	6 (152)	7 (178)	7 (178)	N/A	9-5/8 (244)	3/4 (19)	18-1/8 (460)	7 (178)	8 (203)
5	6	12	15 (381)	6-3/8 (162)	7/8 (22)	9 (229)	8-5/16 (211)	10-1/8 (257)	N/A	7 (178)	7 (178)	N/A	9-5/8 (244)	3/4 (19)	17-7/8 (454)	7 (178)	8 (203)
6	6	9	15 (381)	6-3/8 (162)	7/8 (22)	8-1/4 (210)	7 (178)	9 (229)	5-1/2 (140)	6-1/2 (165)	N/A	N/A	9-3/8 (238)	3/4 (19)	17-13/16 (452)	7 (178)	8 (203)
6	6	11	15 (381)	6-3/8 (162)	7/8 (22)	9-1/4 (235)	8-11/16 (221)	11-1/4 (286)	N/A	7-1/4 (184)	7-1/4 (184)	N/A	9-7/8 (251)	3/4 (19)	18-1/4 (464)	7 (178)	8 (203)
6	6	12	15 (381)	6-3/8 (162)	7/8 (22)	9-1/4 (235)	8-11/16 (221)	11-1/4 (286)	N/A	7-1/4 (184)	7-1/4 (184)	N/A	9-7/8 (251)	3/4 (19)	18-1/4 (464)	7 (178)	8 (203)

NOTES:

- All dimensions in inches and (mm).
- Dimensions may vary ± 1/4 (6).
- Not for construction purposes unless certified.
- N/A = Not Applicable.
- Conduit box is shown in approximate location. Dimensions are not specified as they vary with each motor manufacturer.

AURORA® MODEL 344A & 364A PUMPS

7" - 9"



FRAME	D CASE BORE	
	7	9
1	5-1/4 (133)	5-1/4 (133)
2	6-1/4 (158)	7 (177)
3	N/A	7 (177)

† 9" BORE MODEL 344A NO.1. POWER FRAME D = 6-1/4"

FRAME	A ₁	A ₂	344A		364A		E ₁	E ₂	344A		364A		P	U	V	AD	WG	KEY
			B	B	F	F												
1	10-3/4 (273)	7-3/8 (187)	8-1/16 (205)	9-5/16 (237)	4-1/8 (105)	2 5/8 (67)	5-13/16 (148)	7-1/16 (179)	1-5/16 (33)	7/8 (22)	2-1/8 (54)	5-1/8 (130)	10-5/16 (262)	3/16 SQ X 1-3/8 LG				
2	13-1/4 (337)	7 (178)	10-25/32 (274)	12 (305)	5-1/8 (130)	2 1/2 (64)	7-13/32 (188)	8-21/32 (220)	3/4 (19)	1-1/8 (29)	3-1/8 (79)	7-11/16 (195)	13-13/16 (351)	1/4 SQ X 1-3/4 LG				
3	13-1/4 (337)	7 (178)	10-25/32 (274)	12 (305)	5-1/8 (130)	2 1/2 (64)	7-13/32 (188)	8-21/32 (220)	3/4 (19)	1-1/8 (29)	3-1/8 (79)	7-11/16 (195)	13-13/16 (351)	1/4 SQ X 1-3/4 LG				

PUMPS WITH THREADED CONNECTIONS															
PUMP SIZE			X	Y	Z	DC	DD	344 DH		364 DH		344A L		364A L	
DISCHARGE	SUCTION	CASE BORE						FRAME 1	FRAME 2 & 3	FRAME 1	FRAME 2 & 3	FRAME 1	FRAME 2 & 3	FRAME 1	FRAME 2 & 3
1-1/4	1-1/2	7	5-1/4 (133)	2-7/16 (62)	4-3/16 (106)	4-15/16 (125)	5-3/16 (132)	7-3/16 (183)	N/A	10-1/4 (260)	N/A	7-9/16 (192)	N/A	9-3/8 (238)	N/A
1-1/4	1-1/2	9	6-5/8 (168)	2-9/16 (65)	5-3/8 (137)	6-3/16 (157)	6-3/8 (162)	7-1/4 (184)	N/A	10-5/16 (262)	N/A	7-5/8 (194)	N/A	9-7/16 (240)	N/A
1-1/2	2	7	5-3/8 (137)	2-1/2 (64)	4-5/16 (110)	5-1/8 (130)	5-3/8 (137)	7-5/16 (186)	N/A	10-3/8 (264)	N/A	7-11/16 (195)	N/A	9-1/2 (241)	N/A
1-1/2	2	9	6-3/4 (171)	2-5/8 (67)	5-1/2 (140)	6-5/16 (160)	6-9/16 (167)	7-3/8 (187)	8-3/8 (213)	10-7/16 (265)	11-1/4 (286)	7-3/4 (197)	7-1/8 (181)	9-9/16 (243)	8-3/4 (222)

PUMPS WITH ANSI-125-LB. FLANGED CONNECTIONS															
DISCHARGE	SUCTION	CASE BORE	X	Y	Z	DC	DD	344 DH	364 DH	344A L	364A L	344A L	364A L	344A L	364A L
2	2-1/2	7	5-5/8 (143)	1-7/8 (48)	4-9/16 (116)	5-3/8 (137)	5-13/16 (148)	6-13/16 (173)	7-13/16 (198)	9-7/8 (251)	10-11/16 (271)	6-3/16 (157)	6-9/16 (167)	8 (203)	8-3/16 (208)
2	2-1/2	9	7 (178)	1-7/8 (48)	5-11/16 (144)	6-1/2 (165)	6-7/8 (175)	6-3/4 (171)	7-3/4 (197)	9-13/16 (249)	10-5/8 (270)	6-1/8 (156)	6-1/8 (156)	7-15/16 (202)	8-1/8 (206)
2-1/2	3	7	5-7/8 (149)	2 (51)	4-13/16 (122)	5-13/16 (148)	6-1/4 (159)	7-1/16 (179)	8-1/16 (205)	10-1/8 (257)	10-15/16 (278)	6-7/16 (164)	6-13/16 (173)	8-1/4 (210)	8-7/16 (214)
2-1/2	3	9	7-1/4 (184)	2 (51)	5-15/16 (151)	6-3/4 (171)	7-1/4 (184)	7 (178)	8 (203)	N/A	10-7/8 (276)	6-3/8 (162)	6-3/4 (171)	N/A	8-3/8 (213)
3	4	9	7-1/2 (191)	2-1/8 (54)	6-1/8 (156)	6-7/8 (175)	7-7/16 (189)	7-1/4 (184)	8-1/4 (210)	N/A	11-1/8 (283)	6-5/8 (168)	7 (178)	N/A	8-5/8 (219)
4	4	7	6-1/2 (165)	2-1/2 (64)	5-1/2 (140)	6-7/16 (164)	7-5/16 (186)	7-15/16 (202)	8-15/16 (227)	11 (279)	11-13/16 (300)	7-5/16 (186)	7-11/16 (195)	9-1/8 (232)	9-5/16 (237)
4	5	9A	7-1/4 (184)	3-1/8 (79)	5-3/4 (146)	6-11/16 (170)	7-3/8 (187)	N/A	9-3/8 (238)	N/A	12-1/4 (311)	N/A	8-1/8 (206)	N/A	9-3/4 (248)
4	5	9B	7-3/4 (197)	2-5/8 (67)	6-5/8 (168)	8-1/16 (205)	8-11/16 (221)	N/A	9 (229)	N/A	11-7/8 (302)	N/A	7-3/4 (197)	N/A	9-3/8 (238)
6	6	9	8-1/4 (210)	2-3/4 (70)	7 (178)	8 (203)	9 (229)	N/A	9-1/4 (235)	N/A	12-1/8 (308)	N/A	8 (203)	N/A	9-5/8 (244)

NOTES:

- All dimensions in inches and (mm).
- Dimensions may vary ± 1/4 (6).
- Not for construction purposes unless certified.
- N/A = Not Applicable.
- Check discharge position, casing dimensions which exceed dimension "D" may require pads for the pump and/or motor.

AURORA® MODEL 344A & 364A PUMPS

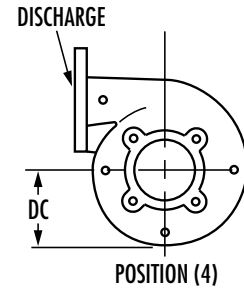
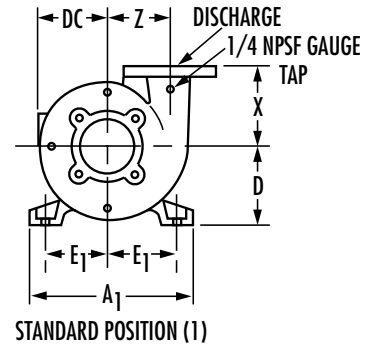
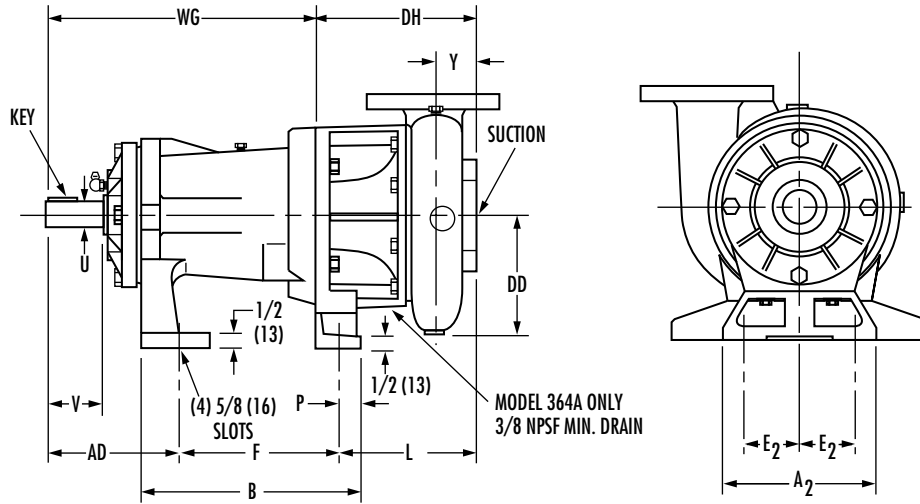
11" - 12"

Section 340/360 Page 207

Dated June 2013

Supersedes Section 340/360 Page 207

Dated March 2004



FRAME	D CASE BORE	
	11	12
2	7 (177)	7 (177)
3	7 (177)	7 (177)

FRAME	A ₁	A ₂	344A		364A		344A		364A		P	U	V	AD	WG	KEY
			B	B	F	F										
2	13-1/4 (337)	7 (178)	10-25/32 (274)	12 (305)	5-1/8 (130)	2-1/2 (64)	7-13/32 (188)	8-21/32 (220)	3/4 (19)	1-1/8 (29)	3-1/8 (79)	7-11/16 (195)	13-13/16 (351)	1/4 SQ X 1-3/4 LG		
3	13-1/4 (337)	7 (178)	10-25/32 (274)	12 (305)	5-1/8 (130)	2-1/2 (64)	7-13/32 (188)	8-21/32 (220)	3/4 (19)	1-1/8 (29)	3-1/8 (79)	7-11/16 (195)	13-13/16 (351)	1/4 SQ X 1-3/4 LG		

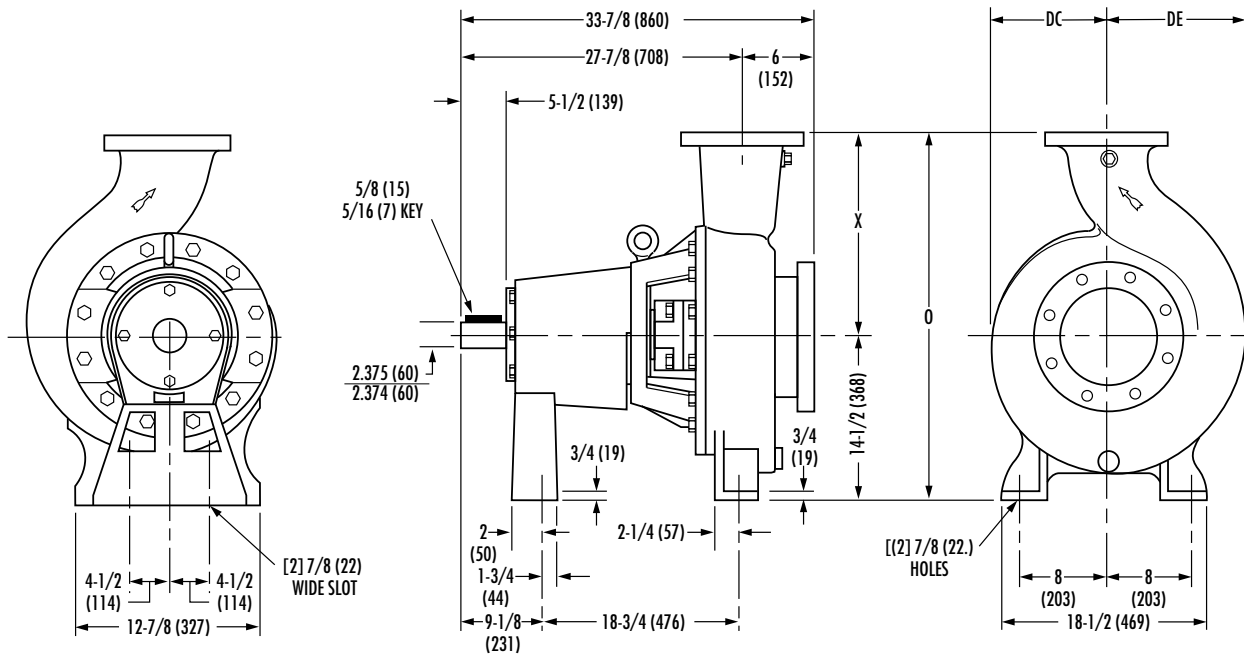
PUMPS WITH THREADED CONNECTIONS																
PUMP SIZE			X	Y	Z	DC	DD	344 DH		364 DH		344A L		364A L		
DISCHARGE	SUCTION	CASE BORE						FRAME 1	FRAME 2 & 3	FRAME 1	FRAME 2 & 3	FRAME 1	FRAME 2 & 3	FRAME 1	FRAME 2 & 3	FRAME 1
1-1/2	2	11	9 (229)	2-13/16 (71)	6-1/8 (156)	7-1/16 (179)	7-1/4 (184)	N/A	8-9/16 (217)	N/A	11-7/16 (291)	N/A	7-1/4 (184)	N/A	8-7/8 (225)	
1-1/2	2	12	7-3/4 (197)	2-3/4 (70)	7-1/16 (179)	8 (203)	8-1/4 (210)	N/A	8-5/8 (219)	N/A	11-1/2 (292)	N/A	7-3/8 (187)	N/A	9 (229)	
PUMPS WITH ANSI 125 LB. FLANGED CONNECTIONS																
2	2-1/2	12	8 (203)	1-7/8 (48)	7-3/16 (183)	8-3/16 (208)	8-1/2 (216)	N/A	7-7/8 (200)	N/A	10-3/4 (273)	N/A	6-5/8 (168)	N/A	8-1/4 (210)	
2	3	11	8 (203)	2-3/8 (60)	6-1/2 (165)	7 (178)	7-3/8 (187)	N/A	8-1/2 (216)	N/A	11-3/8 (289)	N/A	6-15/16 (176)	N/A	9-15/16 (252)	
2-1/2	3	12	8-1/4 (210)	2 (51)	7-3/8 (187)	8-3/8 (213)	8-3/4 (222)	N/A	8-1/8 (206)	N/A	11 (279)	N/A	6-7/8 (175)	N/A	8-1/2 (216)	
3	4	11	9 (229)	2-3/4 (70)	7 (178)	7-9/16 (192)	8-3/16 (208)	N/A	9-3/16 (233)	N/A	12-1/16 (306)	N/A	7-9/16 (192)	N/A	9-9/16 (243)	
3	4	12	8-1/2 (216)	2-1/8 (54)	7-9/16 (192)	8-7/16 (214)	8-15/16 (227)	N/A	8-3/8 (213)	N/A	11-1/4 (286)	N/A	7-1/8 (181)	N/A	8-3/4 (222)	
4	5	11	9 (229)	3 (76)	7-1/4 (184)	7-15/16 (202)	8-11/16 (221)	N/A	9-5/8 (244)	N/A	12-1/2 (318)	N/A	8 (203)	N/A	10 (254)	
4	5	12	8-3/4 (222)	2-5/8 (67)	7-15/16 (202)	8-7/8 (225)	9-9/16 (243)	N/A	9-1/8 (232)	N/A	12 (305)	N/A	7-7/8 (200)	N/A	9-1/2 (241)	
5	6	11	9 (229)	3-1/8 (79)	8-1/16 (205)	8-11/16 (221)	10-1/8 (257)	N/A	10-1/8 (257)	N/A	13 (330)	N/A	8-1/2 (216)	N/A	10-1/2 (267)	
5	6	12	9 (229)	2-7/8 (73)	8-5/16 (211)	9-1/4 (235)	10-1/8 (257)	N/A	9-5/8 (244)	N/A	12-1/2 (318)	N/A	8-3/8 (213)	N/A	10 (254)	
6	6	11	9-1/4 (235)	3-1/8 (79)	8-11/16 (221)	9-11/16 (246)	10-13/16 (275)	N/A	10-1/8 (257)	N/A	13 (330)	N/A	8-7/8 (225)	N/A	10-1/2 (267)	
6	6	12	9-1/4 (235)	3-1/8 (79)	8-11/16 (221)	9-11/16 (246)	10-13/16 (275)	N/A	10-1/8 (257)	N/A	13 (330)	N/A	8-7/8 (225)	N/A	10-1/2 (267)	

NOTES:

- All dimensions in inches and (mm).
- Dimensions may vary ± 1/4 (6).
- Not for construction purposes unless certified.
- N/A = Not Applicable.
- Check discharge position, casing dimensions which exceed dimension "D" may require pads for the pump and/or motor.

■ AURORA® MODEL 364A PUMPS

15" CASE BORE/POWER FRAME 21



PUMP SIZE			FLANGE SIZE		O	X	DC	DE
DISCHARGE	SUCTION	CASE BORE	DISCHARGE	SUCTION				
6	8	15	6 (152)	8 (203)	32-1/2 (826)	18 (457)	10-7/16 (265)	12-7/8 (327)
8	10	15	8 (203)	10 (254)	33-1/2 (851)	19 (483)	11 (279)	14-3/8 (365)

NOTES:

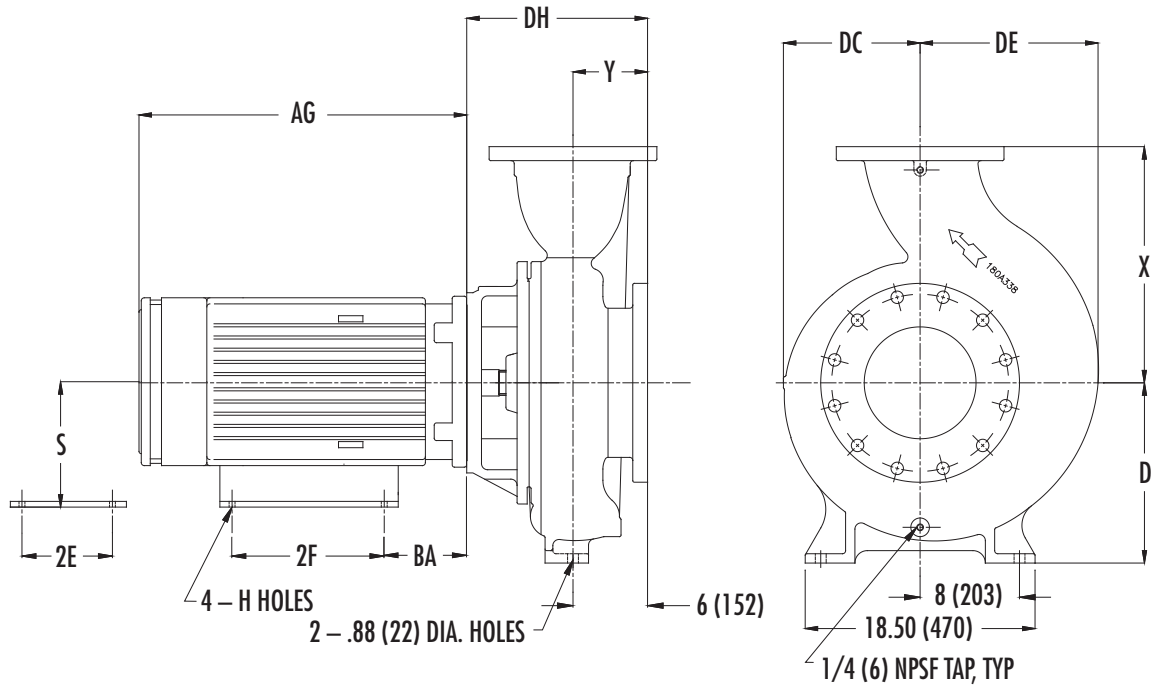
1. All dimensions in inches and (mm).
2. Dimensions may vary $\pm 1/4$ (6).
3. Not for construction purposes unless certified.
4. Standard flanges are 150 lb. per ANSI B16.5.

AURORA® MODEL 341A PUMPS

6X8X15 & 8X10X15
365TCZ-444TCZ

Section 340/360 Page 209
Dated June 2013

Supersedes Section 340/360 Page 209
Dated October 2003



PUMP SIZE										
DISCHARGE	SUCTION	CASE BORE	X	Y	D	DE	DC	DH	PUMP WEIGHT	
6	8	15	18.00 (457)	6.00 (152)	14.50 (368)	12.88 (327)	10.44 (265)	9.56 (243)	365 (166)	
8	10	15	19.00 (483)	6.00 (152)	14.50 (368)	14.38 (365)	11.00 (279)	9.56 (243)	505 (229)	

Motor Frame	364TCZ	365TCZ	404TCZ	405TCZ	444TCZ	445TCZ
BA	5.88 (149)	5.88 (149)	6.62 (168)	6.62 (168)	7.50 (191)	7.50 (191)
2F	11.25 (286)	12.25 (311)	12.25 (311)	13.75 (349)	14.50 (368)	16.50 (419)
2E	14.00 (356)	14.00 (356)	16.00 (406)	16.00 (406)	18.00 (457)	18.00 (457)
S	9.00 (229)	9.00 (229)	10.00 (254)	10.00 (254)	11.00 (279)	11.00 (279)
H	0.66 (17)	0.66 (17)	0.81 (21)	0.81 (21)	0.81 (21)	0.81 (21)
AG approx	31.5 (800)	32.5 (826)	34 (864)	37.5 (953)	43 (1092)	48 (1219)

NOTES:

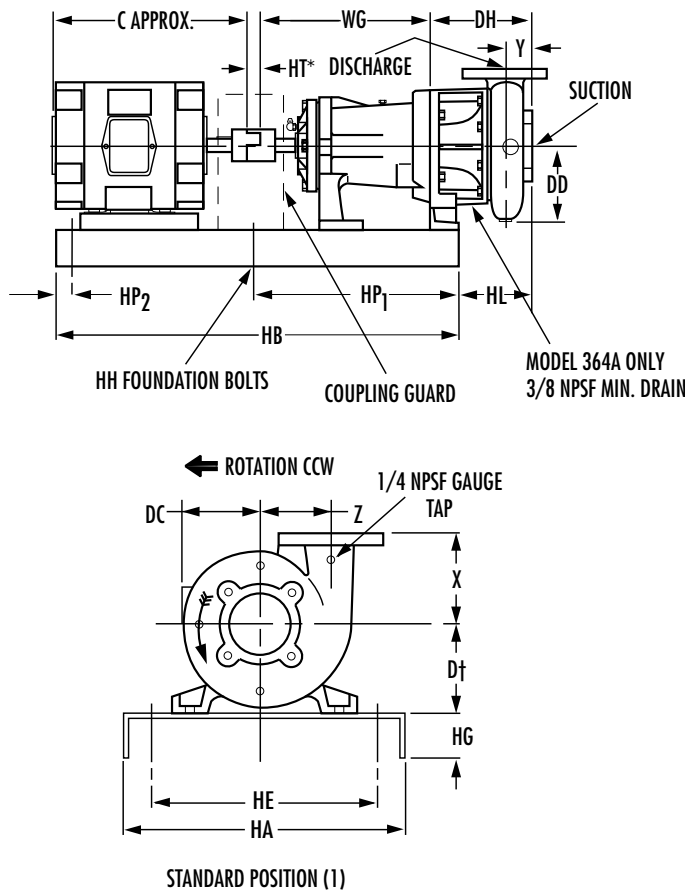
1. ALL DIMENSIONS IN INCHES (MM), WEIGHT IN POUNDS (KG)
2. DIMENSIONS MAY VARY PLUS/MINUS 1/4"
3. NOT FOR CONSTRUCTION PURPOSES UNLESS CERTIFIED.
4. CONDUIT BOX IS NOT SPECIFIED AS THEY VARY WITH EACH MOTOR MANUFACTURER.

Section **340/360** Page **210**
Dated **June 2013**

Supersedes Section 340/360 Page 210
Dated March 2003

THIS PAGE LEFT INTENTIONALLY BLANK

AURORA® MODEL 344A & 364A PUMPS ON STEEL BASES



BASE	SIZE	HA	HB	HE	HG	HH		HP ₁	HP ₂
						QTY	SIZE		
1	12 X 30	12	30	9	3	2	5/8	15	-
2	17 X 34	17	34	15	3	4	5/8	1-1/4	1-1/4
3	18 X 38	18	38	16	4	4	5/8	1-1/4	1-1/4
4	18 X 42	18	42	16	4	4	5/8	1-1/4	1-1/4
5	18 X 44	18	44	15	4	4	5/8	1	1
6	18 X 48	18	48	15	4	4	5/8	1	1
7	22 X 60	22	60	19	4	4	5/8	1	1

D	POWER FRAME	BASE NUMBER			
		1	2	340 3	360 3
340 CASE BORE	WG	10-5/16	13-13/16	13-13/16	13-13/16
	7	5-1/4	6-1/4	-	-
	9	6-1/4	7	7	7
	11	-	7	7	7
	12	-	7	7	7
	360 CASE BORE	7	5-1/4	6-1/4	-
9	5-1/4	7	7	7	
11	-	7	7	7	
12	-	7	7	7	

MOTOR FRAME	C APPROX	D	BASE NUMBER			
56	12		1	N/A	N/A	N/A
143T	12		1	N/A	N/A	N/A
145T	13		1	3	N/A	N/A
182T	13		1	3	N/A	N/A
184T	14		1	3	N/A	N/A
213T	16	5-1/4	2	3	N/A	3
215T	18	5-1/4	2	3	N/A	3
254T	21	6-1/4	3	4	4	4
256T	23	6-1/4	N/A	4	4	4
284T	24	7	N/A	5	5	5
284TS	22	7	N/A	5	5	5
286T	25	7	N/A	5	5	5
286TS	24	7	N/A	5	5	5
324T	26	8	N/A	6	6	6
324TS	25	8	N/A	6	6	6
326T	28	8	N/A	6	6	6
326TS	26	8	N/A	6	6	6
364T	29	9	N/A	6	6	6
364TS	27	9	N/A	6	6	6
365TS	28	9	N/A	6	6	6
404TS	30	10	N/A	7	7	7

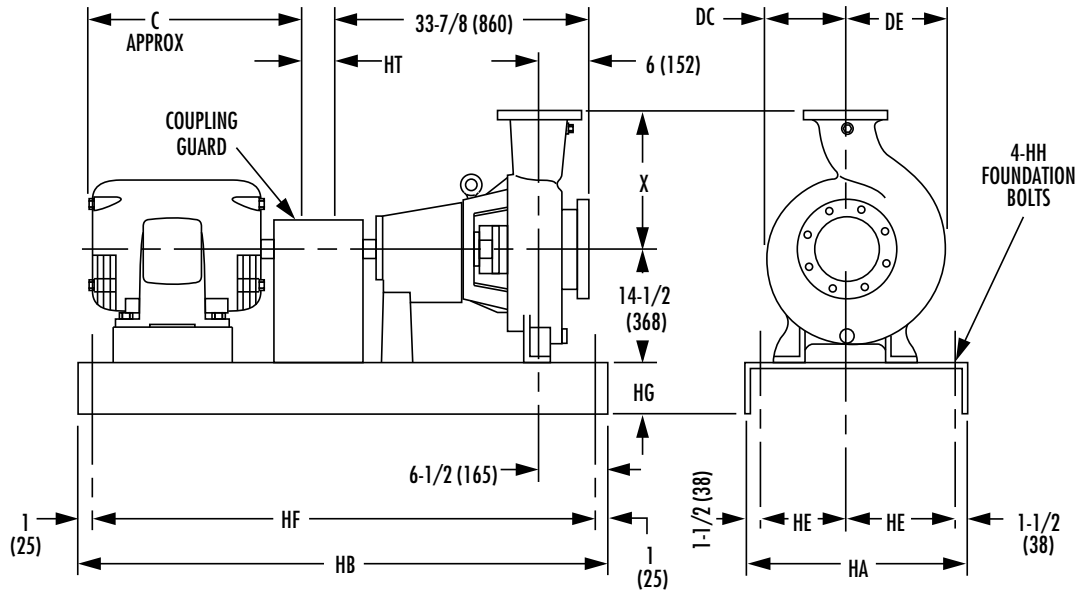
PUMPS WITH THREADED CONNECTIONS																	
PUMP SIZE		CASE BORE	X	Y	Z	DC	DD	344A DH		364A DH		344A HL			364A HL		
DISCH	SUCT							FRAME 1	FRAME 2 & 3	FRAME 1	FRAME 2 & 3	FRAME 1	FRAME 2	FRAME 3	FRAME 1	FRAME 2	FRAME 3
1-1/4	1-1/2	7	5-1/4	2-7/16	4-3/16	4-15/16	5-3/16	7-3/16	N/A	10-1/4	N/A	4-11/16	N/A	N/A	6-1/2	N/A	N/A
1-1/4	1-1/2	9	6-5/8	2-9/16	5-3/8	6-3/8	6-3/8	7-1/4	N/A	10-5/16	N/A	4-3/4	N/A	N/A	6-9/16	N/A	N/A
1-1/2	2	7	5-3/8	2-1/2	4-5/16	5-1/8	5-3/8	7-5/16	N/A	10-3/8	N/A	4-13/16	N/A	N/A	6-5/8	N/A	N/A
1-1/2	2	9	6-3/4	2-5/8	5-1/2	6-5/16	6-9/16	7-3/8	8-3/8	10-7/16	11-1/4	4-7/8	6-3/8	N/A	6-11/16	8	N/A
1-1/2	2	11	9	2-13/16	6-1/8	7-1/16	7-1/4	N/A	8-9/16	N/A	11-7/16	N/A	6-1/2	N/A	N/A	8-1/8	N/A
1-1/2	2	12	7-3/4	2-3/4	7-1/16	8	8-1/4	N/A	8-5/8	N/A	11-1/2	N/A	6-5/8	N/A	N/A	8-1/4	8-1/4

PUMPS WITH ANSI 125 LB FLANGED CONNECTIONS																	
DISCH	SUCT	CASE BORE	X	Y	Z	DC	DD	344A DH	364A DH	344A HL	364A HL	344A HL	364A HL	344A HL	364A HL	344A HL	364A HL
2	2-1/2	7	5-5/8	1-7/8	4-9/16	5-3/8	5-13/16	6-13/16	7-13/16	9-7/8	10-11/16	4-5/16	5-13/16	N/A	6-1/8	7-7/16	N/A
2	2-1/2	9	7	1-7/8	5-11/16	6-1/2	6-7/8	6-3/4	7-3/4	9-13/16	10-5/8	4-1/4	N/A	5-3/4	6-1/16	N/A	7-3/8
2	2-1/2	12	8	1-7/8	7-3/16	8-3/16	8-1/2	N/A	7-7/8	N/A	10-3/4	N/A	5-7/8	N/A	N/A	7-1/2	N/A
2	3	11	8	2-3/8	6-1/2	7	7-3/8	N/A	8 1/2	N/A	11-3/8	N/A	6-3/16	N/A	N/A	7-13/16	N/A
2-1/2	3	7	5-7/8	2	4-13/16	5-13/16	6-1/4	7-1/16	8-1/16	10-1/8	10-15/16	4-9/16	6-1/16	N/A	6-3/8	7-11/16	N/A
2-1/2	3	9	7-1/4	2	5-15/16	6-3/4	7-1/4	7	8	N/A	10-7/8	4-1/2	N/A	6	N/A	7-5/8	7-5/8
2-1/2	3	12	8-1/4	2	7-3/8	8-3/8	8-3/4	N/A	8-1/8	N/A	11	N/A	6-1/8	N/A	N/A	7-3/4	7-3/4
3	4	9	7-1/2	2-1/8	6-1/8	6-7/8	7-7/16	7-1/4	8-1/4	N/A	11-1/8	4-3/4	6-1/4	6-1/4	N/A	7-7/8	7-7/8
3	4	11	9	2-3/4	7	7-9/16	8-3/16	N/A	9-3/16	N/A	12-1/16	N/A	6-13/16	N/A	N/A	8-7/16	N/A
3	4	12	8-1/2	2-1/8	7-9/16	8-7/16	8-15/16	N/A	8-3/8	N/A	11-1/4	N/A	6-3/8	6-3/8	N/A	8	8
4	4	7	6-1/2	2-1/2	5-1/2	6-7/16	7-5/16	7-15/16	8-15/16	11	11-13/16	5-7/16	6-15/16	N/A	7-1/4	8-9/16	N/A
4	5	9A	7-1/4	3-1/8	5-3/4	6-11/16	7-3/8	N/A	9-3/8	N/A	12-1/4	N/A	7-3/8	7-3/8	N/A	9	9
4	5	9B	7-3/4	2-5/8	6-5/8	8-1/16	8-11/16	N/A	9	N/A	11-7/8	N/A	7	N/A	N/A	8-5/8	N/A
4	5	11	9	3	7-1/4	7-15/16	8-11/16	N/A	9-5/8	N/A	12-1/2	N/A	7-1/4	N/A	N/A	8-7/8	N/A
4	5	12	8-3/4	2-5/8	7-15/16	8-7/8	9-9/16	N/A	9-1/8	N/A	12	N/A	7-1/8	7-1/8	N/A	8-3/4	8-3/4
5	6	11	9	3-1/8	8-1/16	8-11/16	10-1/8	N/A	10-1/8	N/A	13	N/A	7-3/4	7-3/4	N/A	9-3/8	9-3/8
5	6	12	9	2-7/8	8-5/16	9-1/4	10-1/8	N/A	9-5/8	N/A	12-1/2	N/A	7-5/8	7-5/8	N/A	9-1/4	9-1/4
6	6	9	8-1/4	2-3/4	7	8	9	N/A	9-1/4	N/A	12-1/8	N/A	7-1/4	N/A	N/A	8-7/8	N/A
6	6	11	9-1/4	3-1/8	8-11/16	9-11/16	10-13/16	N/A	10-1/8	N/A	13	N/A	8-1/8	8-1/8	N/A	9-3/4	9-3/4
6	6	12	9-1/4	3-1/8	8-11/16	9-11/16	10-13/16	N/A	10-1/8	N/A	13	N/A	8-1/8	8-1/8	N/A	9-3/4	9-3/4

- NOTES:
- All dimensions in inches.
 - Dimensions may vary ± 1/4.
 - Not for construction purposes unless certified.
 - N/A = not applicable.
 - Check discharge position. Casing dimensions which exceed dimension "D" may require pads for the pump and/or motor.
 - Conduit box is shown in approximate location. Dimensions are not specified as they vary with each motor manufacturer.
 - Dim "HT" may vary 1/8" TO 1".
 - D Dimension of 5 x 6 x 11, 5 x 6 x 12, 6 x 6 x 11 and 6 x 6 x 12 pump with 213T thru 326T motor is 8".

AURORA® MODEL 364A PUMPS

15 CASE BORE POWER FRAME 21 ON FORMED STEEL BASE



FRAME SIZE	C	HA	HB	HE	HF	HG	HH	HT	BASEPLATE DESIGNATION	
286T	25 (635)	22 (559)	60 (1524)	9-1/2 (241)	70 (1778)	4 (102)	3/4 (19)	1-1/16 (27)	15 (381)	
324T	26 (660)									
326T	28 (711)									
364T	29 (737)							1/4 (6)		
364TS	27 (686)									
365T	30 (762)							2 (51)		
365TS	28 (711)							2 (51)		16 (406)
404T	33 (838)							2-1/16 (52)		
404TS	30 (762)							2 (51)		
405TS	34 (864)							2-1/16 (52)		
405TS	31 (787)									
444TS	34 (864)									
445TS	36 (914)							1-1/4 (32)		

PUMP SIZE	FLANGE SIZE		DC	DE	X
	DISCH.	SUCT.			
6 x 8 x 15	6 (152)	8 (203)	10-7/16 (265)	12-7/8 (327)	18 (457)
8 x 10 x 15	8 (203)	10 (254)	11 (279)	14-3/8 (365)	19 (483)

NOTES:

- Dimensions are approximate.
- Dimensions are in inches (mm) and may vary $\pm 1/4$ (6).
- Not for construction purposes unless certified.

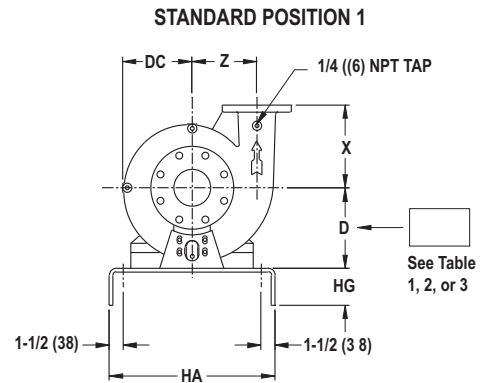
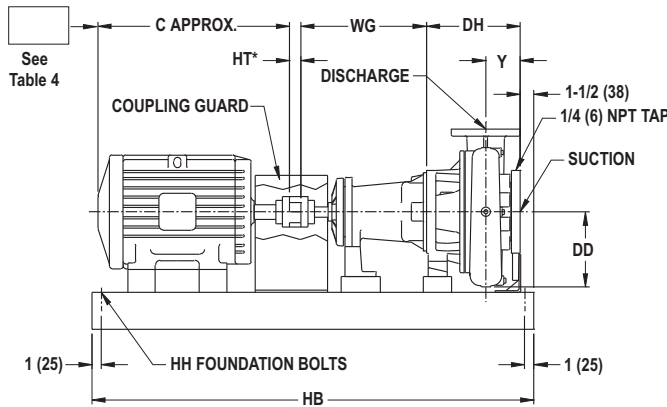
AURORA MODEL 344A PUMPS

FORMED STEEL BASE WITH OPTIONAL CASING FOOT

Dated June 2013

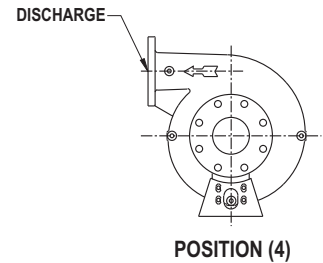
Supersedes Section 340A Page 255

Dated January 2003



MODEL 344A ILLUSTRATED

PUMPS WITH FLANGE SUCTION CONNECTIONS AND THREADED DISCHARGE CONNECTIONS									
PUMP SIZE			X	Y	Z	DC	DD	FRAME 1 DH	FRAME 2 & 3 DH
DISCHARGE	SUCTION	CASE BORE							
1-1/4	1-1/2	7	5-1/4 (133)	3-3/8 (86)	4-3/16 (106)	4-15/16 (125)	5-3/16 (132)	8-1/8 (206)	N/A
1-1/4	1-1/2	9	6-5/8 (168)	3-1/2 (89)	5-3/8 (137)	6-3/16 (157)	6-3/8 (162)	8-3/16 (208)	N/A
1-1/2	2	7	5-3/8 (137)	3-7/16 (87)	4-5/16 (110)	5-1/8 (130)	5-3/8 (137)	8-1/4 (210)	N/A
1-1/2	2	9	6-3/4 (171)	3-9/16 (90)	5-1/2 (140)	6-5/16 (160)	6-9/16 (167)	8-5/16 (211)	9-5/16 (237)
1-1/2	2	12	7-3/4 (197)	3-11/16 (94)	7-1/16 (179)	8 (203)	8-1/4 (210)	N/A	9-5/16 (237)
PUMPS WITH ANSI 125 LB. FLANGED CONNECTIONS									
2	2-1/2	7	5-5/8 (143)	2-13/16 (71)	4-9/16 (116)	5-3/8 (137)	5-13/16 (148)	7-3/4 (197)	8-3/4 (222)
2	2-1/2	9	7 (178)	2-13/16 (71)	5-11/16 (144)	6-1/2 (165)	6-7/8 (175)	7-11/16 (195)	8-11/16 (221)
2	2-1/2	12	8 (203)	2-13/16 (71)	7-3/16 (183)	8-3/16 (208)	8-1/2 (216)	N/A	8-13/16 (224)
2	3	11	8 (203)	3-5/16 (84)	6-1/2 (165)	7 (178)	7-3/8 (187)	N/A	9-7/16 (240)
2-1/2	3	7	5-7/8 (149)	2-15/16 (75)	4-13/16 (122)	5-13/16 (148)	6-1/4 (159)	8 (203)	9 (229)
2-1/2	3	9	7-1/4 (184)	2-15/16 (75)	5-15/16 (151)	6-3/4 (171)	7-1/4 (184)	7-15/16 (202)	8-15/16 (227)
2-1/2	3	12	8-1/4 (210)	2-15/16 (75)	7-3/8 (187)	8-3/8 (213)	8-3/4 (222)	N/A	9-1/16 (230)
3	4	9	7-1/2 (191)	3-1/16 (78)	6-1/8 (156)	6-7/8 (175)	7-7/16 (189)	8-3/16 (208)	9-3/16 (233)
3	4	11	9 (229)	3-11/16 (94)	7 (178)	7-9/16 (192)	8-3/16 (208)	N/A	10-1/8 (257)
3	4	12	8-1/2 (216)	3-1/16 (78)	7-9/16 (192)	8-7/16 (214)	8-15/16 (227)	N/A	9-5/16 (237)
4	4	7	6-1/2 (165)	3-7/16 (87)	5-1/2 (140)	6-7/16 (164)	7-5/16 (186)	8-7/8 (225)	9-7/8 (251)
4	5	9A	7-1/4 (184)	4-1/16 (103)	5-3/4 (146)	6-11/16 (170)	7-3/8 (187)	N/A	10-5/16 (262)
4	5	9B	7-3/4 (197)	3-9/16 (90)	6-5/8 (168)	8-1/16 (205)	8-11/16 (221)	N/A	9-15/16 (252)
4	5	11	9 (229)	3-15/16 (100)	7-1/4 (184)	7-15/16 (202)	8-11/16 (221)	N/A	10-9/16 (268)
4	5	12	8-3/4 (222)	3-9/16 (90)	7-15/16 (202)	8-7/8 (225)	9-9/16 (243)	N/A	10-1/16 (256)
5	6	11	9 (229)	4-1/8 (105)	8-1/16 (205)	8-11/16 (221)	10-1/8 (257)	N/A	11-1/8 (283)
5	6	12	9 (229)	3-7/8 (98)	8-5/16 (211)	9-1/4 (235)	10-1/8 (257)	N/A	10-5/8 (270)
6	6	9	8-1/4 (210)	3-3/4 (95)	7 (178)	8 (203)	9 (229)	N/A	10-1/4 (260)
6	6	11	9-1/4 (235)	4-1/8 (105)	8-11/16 (221)	9-11/16 (246)	10-13/16 (275)	N/A	11-1/8 (283)
6	6	12	9-1/4 (235)	4-1/8 (105)	8-11/16 (221)	9-11/16 (246)	10-13/16 (275)	N/A	11-1/8 (283)



BASE	HA	HB	HG	HH
1	12 (304)	34 (863)	3 (76)	1/2 (12)
2	12 (304)	38 (965)	3 (76)	1/2 (12)
3	13 (330)	42 (1066)	4 (102)	5/8 (15)
4	15 (381)	38 (965)	3-3/8 (857)	5/8 (15)
5	15 (381)	44 (1117)	3-3/8 (857)	5/8 (15)
6	15 (381)	52 (1320)	4-1/8 (104)	5/8 (15)
7	18 (457)	54 (1371)	4 (102)	5/8 (15)
8	22 (558)	54 (1371)	4 (102)	5/8 (15)
9	22 (558)	60 (1524)	4 (102)	5/8 (15)

NOTES:

- All dimensions in inches (mm).
 - Dimensions may vary $\pm 1/4"$ (6).
 - Not for construction purposes unless certified.
 - N/A = not applicable.
 - Conduit box is shown in approximate location. Dimensions are not specified as they vary with each motor manufacturer.
- * Dimension "HT" may vary 1/8" (3) to 1" (25).

AURORA MODEL 344A PUMPS

OPTIONAL CASING FOOT POWER FRAME TABLES

Dated June 2013

Supersedes Section 340A Page 256

Dated January 2003

MOTOR FRAME	C	MOTOR FRAME	C
56C	12 (304)	284TS	22 (558)
143T	12 (304)	286T	25 (635)
145T	13 (330)	286TS	24 (609)
182T	13 (330)	324T	26 (660)
184T	14 (355)	324TS	25 (635)
213T	16 (406)	326T	28 (711)
215T	18 (457)	326TS	26 (660)
254T	21 (533)	364TS	27 (685)
256T	23 (584)	365TS	28 (711)
284T	24 (609)	404TS	30 (762)

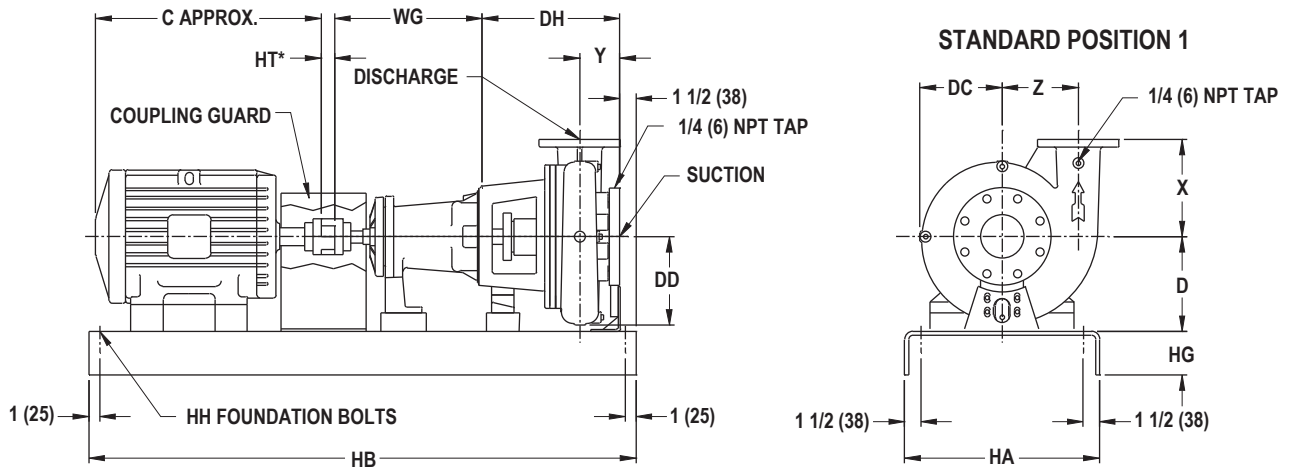
DISCHARGE	SUCTION	CASE BORE	BASE	FRAME 56C D	BASE	FRAME 143T-145T D	BASE	FRAME 182T-184T D	BASE	FRAME 213T-215T D	BASE	FRAME 254T D
1-1/4	1-1/2	7	1	6-3/4 (171)	1	6-3/4 (171)	1	6-3/4 (171)	2	6-3/4 (171)	3	6-3/4 (171)
1-1/4	1-1/2	9	1	6-3/4 (171)	1	6-3/4 (171)	1	6-3/4 (171)	2	6-3/4 (171)	3	6-3/4 (171)
1-1/2	2	7	1	6-3/4 (171)	1	6-3/4 (171)	1	6-3/4 (171)	2	6-3/4 (171)	3	6-3/4 (171)
1-1/2	2	9	1	6-3/4 (171)	1	6-3/4 (171)	1	6-3/4 (171)	2	6-3/4 (171)	3	6-3/4 (171)
2	2-1/2	7	1	7-1/2 (191)	1	7-1/2 (191)	1	7-1/2 (191)	2	7-1/2 (191)	3	7-1/2 (191)
2	2-1/2	9	1	7-1/2 (191)	1	7-1/2 (191)	1	7-1/2 (191)	2	7-1/2 (191)	3	7-1/2 (191)
2-1/2	3	7	1	7-1/2 (191)	1	7-1/2 (191)	1	7-1/2 (191)	2	7-1/2 (191)	3	7-1/2 (191)
2-1/2	3	9	1	7-1/2 (191)	1	7-1/2 (191)	1	7-1/2 (191)	2	7-1/2 (191)	3	7-1/2 (191)
3	4	9	1	8-1/4 (210)	1	8-1/4 (210)	1	8-1/4 (210)	2	8-1/4 (210)	3	8-1/4 (210)
4	4	7	1	8-1/4 (210)	1	8-1/4 (210)	2	8-1/4 (210)	2	8-1/4 (210)	3	8-1/4 (210)

DISCHARGE	SUCTION	CASE BORE	BASE	FRAME 143T-145T D	BASE	FRAME 182T-184T D	BASE	FRAME 213T-215T D	BASE	FRAME 254T-256T D	BASE	FRAME 284T/TS-286T/TS D	BASE	FRAME 324T/TS-326T/TS D	BASE	FRAME 364TS-365TS D	BASE	FRAME 404TS D
1-1/2	2	9	4	7 (178)	4	7 (178)	5	7 (178)	6	7 (178)	6	7 (178)	7	8-5/8 (219)	8	9 (229)		
1-1/2	2	12	4	8-5/8 (219)	4	8-5/8 (219)	5	8-5/8 (219)	6	8-5/8 (219)	6	8-5/8 (219)	7	8-5/8 (219)	8	9 (229)	-	N/A
2	2-1/2	7	4	7-1/2 (191)	4	7-1/2 (191)	5	7-1/2 (191)	6	7-1/2 (191)	6	7-1/2 (191)	-	N/A	-	N/A	-	N/A
2	2-1/2	12	4	9-1/4 (235)	4	9-1/4 (235)	5	9-1/4 (235)	6	9-1/4 (235)	6	9-1/4 (235)	7	9-1/4 (235)	8	9-1/4 (235)	-	N/A
2	3	11	4	7-3/4 (197)	4	7-3/4 (197)	5	7-3/4 (197)	6	7-3/4 (197)	6	7-3/4 (197)	7	9-1/8 (232)	-	N/A	-	N/A
2-1/2	3	7	4	7-1/2 (191)	4	7-1/2 (191)	5	7-1/2 (191)	6	7-1/2 (191)	6	7-1/2 (191)	-	N/A	-	N/A	-	N/A
2-1/2	3	12	4	9-1/2 (241)	4	9-1/2 (241)	5	9-1/2 (241)	6	9-1/2 (241)	6	9-1/2 (241)	7	9-1/2 (241)	8	9-1/2 (241)	-	N/A
3	4	9	4	8-1/4 (210)	4	8-1/4 (210)	5	8-1/4 (210)	6	8-1/4 (210)	6	8-1/4 (210)	7	8-1/4 (210)	8	10 (254)	-	N/A
3	4	11	4	8-5/8 (219)	4	8-5/8 (219)	5	8-5/8 (219)	6	8-5/8 (219)	6	8-5/8 (219)	7	8-5/8 (219)	-	N/A	-	N/A
3	4	12	4	10 (254)	4	10 (254)	5	10 (254)	6	10 (254)	6	10 (254)	7	10 (254)	8	10 (254)	-	N/A
4	4	7	4	8-1/4 (102)	4	8-1/4 (127)	5	8-1/4 (152)	6	8-1/4 (152)	6	8-1/4 (152)	-	N/A	-	N/A	-	N/A
4	5	9A	4	8-7/8 (225)	4	8-7/8 (225)	5	8-7/8 (225)	6	8-7/8 (225)	6	8-7/8 (225)	7	8-7/8 (225)	8	9 (229)	-	N/A
4	5	9B	4	9 (229)	5	9 (229)	5	9 (229)	6	9 (229)	6	9 (229)	7	9 (229)	8	9 (229)	-	N/A
4	5	11	4	9 (229)	5	9 (229)	5	9 (229)	6	9 (229)	6	9 (229)	7	9 (229)	-	N/A	-	N/A
4	5	12	4	10-3/4 (273)	5	10-3/4 (273)	5	10-3/4 (273)	6	10-3/4 (273)	6	10-3/4 (273)	7	10-3/4 (273)	8	10-3/4 (273)	-	N/A
5	6	11	-	N/A	-	N/A	5	11-1/4 (286)	6	11-1/4 (286)	6	11-1/4 (286)	7	11-1/4 (286)	-	N/A	-	N/A
5	6	12	-	N/A	-	N/A	-	N/A	6	11-1/4 (286)	6	11-1/4 (286)	7	11-1/4 (286)	8	11-1/4 (286)	-	N/A
6	6	9	-	N/A	-	N/A	5	9-1/2 (241)	6	9-1/2 (241)	6	9-1/2 (241)	7	9-1/2 (241)	-	N/A	-	N/A
6	6	11	-	N/A	-	N/A	5	11-1/2 (292)	6	11-1/2 (292)	6	11-1/2 (292)	7	11-1/2 (292)	-	N/A	-	N/A

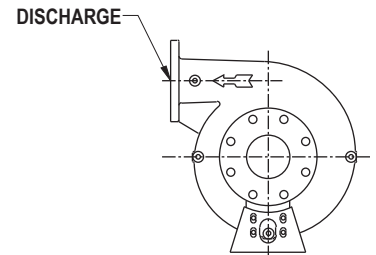
DISCHARGE	SUCTION	CASE BORE	BASE	FRAME 143T-145T D	BASE	FRAME 182T-184T D	BASE	FRAME 213T-215T D	BASE	FRAME 254T-256T D	BASE	FRAME 284T/TS-286T/TS D	BASE	FRAME 324T/TS-326T/TS D	BASE	FRAME 364TS-365TS D	BASE	FRAME 404TS D
2	2-1/2	9	4	7-1/2 (191)	4	7-1/2 (191)	5	7-1/2 (191)	6	7-1/2 (191)	6	7-1/2 (191)	7	9 (229)	8	9 (229)	-	N/A
2-1/2	3	9	4	7-1/2 (191)	4	7-1/2 (191)	5	7-1/2 (191)	6	7-1/2 (191)	6	7-1/2 (191)	7	9-1/4 (235)	8	9-1/4 (235)	-	N/A
3	4	9	4	8-1/4 (210)	4	8-1/4 (210)	5	8-1/4 (210)	6	8-1/4 (210)	6	8-1/4 (210)	7	8-1/4 (210)	8	10 (254)	-	N/A
3	4	12	4	10 (254)	4	10 (254)	5	10 (254)	6	10 (254)	6	10 (254)	7	10 (254)	8	10 (254)	-	N/A
4	5	9A	4	8-7/8 (225)	4	8-7/8 (225)	5	8-7/8 (225)	6	8-7/8 (225)	6	8-7/8 (225)	7	8-7/8 (225)	8	9 (229)	-	N/A
4	5	12	4	10-3/4 (273)	5	10-3/4 (273)	5	10-3/4 (273)	6	10-3/4 (273)	6	10-3/4 (273)	7	10-3/4 (273)	8	10-3/4 (273)	-	N/A
5	6	11	-	N/A	-	N/A	5	11-1/4 (286)	6	11-1/4 (286)	6	11-1/4 (286)	7	11-1/4 (286)	-	N/A	-	N/A
5	6	12	-	N/A	-	N/A	-	N/A	6	11-1/4 (286)	6	11-1/4 (286)	7	11-1/4 (286)	8	11-1/4 (286)	-	N/A
6	6	11	-	N/A	-	N/A	5	11-1/2 (292)	6	11-1/2 (292)	6	11-1/2 (292)	7	11-1/2 (292)	-	N/A	-	N/A
6	6	12	-	N/A	-	N/A	-	N/A	6	11-3/8 (289)	6	11-3/8 (289)	7	11-3/8 (289)	8	11-3/8 (289)	9 (229)	11-3/8 (289)

AURORA® MODEL 364A PUMPS

FORMED STEEL BASE WITH OPTIONAL CASING FOOT



PUMPS WITH FLANGE SUCTION CONNECTIONS AND THREADED DISCHARGE CONNECTIONS									
PUMP SIZE			X	Y	Z	DC	DD	FRAME 1 DH	FRAME 2 & 3 DH
DISCHARGE	SUCTION	CASE BORE							
1-1/4	1-1/2	7	5-1/4 (133)	3-3/8 (86)	4-3/16 (106)	4-15/16 (125)	5-3/16 (132)	11-3/16 (284)	N/A
1-1/4	1-1/2	9	6-5/8 (168)	3-1/2 (89)	5-3/8 (137)	6-3/16 (157)	6-3/8 (162)	11-1/4 (286)	N/A
1-1/2	2	7	5-3/8 (137)	3-7/16 (87)	4-5/16 (110)	5-1/8 (130)	5-3/8 (137)	11-15/16 (303)	N/A
1-1/2	2	9	6-3/4 (171)	3-9/16 (90)	5-1/2 (140)	6-5/16 (160)	6-9/16 (167)	11-3/8 (289)	12-3/16 (310)
1-1/2	2	12	7-3/4 (197)	3-11/16 (94)	7-1/16 (179)	8 (203)	8-1/4 (210)	N/A	12-7/16 (316)
PUMPS WITH ANSI 125 LB. FLANGED CONNECTIONS									
2	2-1/2	7	5-5/8 (143)	2-13/16 (71)	4-9/16 (116)	5-3/8 (137)	5-13/16 (148)	10-13/16 (275)	11-5/8 (295)
2	2-1/2	9	7 (178)	2-13/16 (71)	5-11/16 (144)	6-1/2 (165)	6-7/8 (175)	10-3/4 (273)	11-9/16 (294)
2	2-1/2	12	8 (203)	2-13/16 (71)	7-3/16 (183)	8-3/16 (208)	8-1/2 (216)	N/A	11-11/16 (297)
2	3	11	8 (203)	3-5/16 (84)	6-1/2 (165)	7 (178)	7-3/8 (187)	N/A	12-5/16 (313)
2-1/2	3	7	5-7/8 (149)	2-15/16 (75)	4-13/16 (122)	5-13/16 (148)	6-1/4 (159)	11-1/16 (281)	11-7/8 (302)
2-1/2	3	9	7-1/4 (184)	2-15/16 (75)	5-15/16 (151)	6-3/4 (171)	7-1/4 (184)	7-15/16 (202)	11-13/16 (300)
2-1/2	3	12	8-1/4 (210)	2-15/16 (75)	7-3/8 (187)	8-3/8 (213)	8-3/4 (222)	N/A	11-15/16 (303)
3	4	9	7-1/2 (191)	3-1/16 (78)	6-1/8 (156)	6-7/8 (175)	7-7/16 (189)	N/A	12-1/6 (309)
3	4	11	9 (229)	3-11/16 (94)	7 (178)	7-9/16 (192)	8-3/16 (208)	N/A	13 (330)
3	4	12	8-1/2 (216)	3-1/16 (78)	7-9/16 (192)	8-7/16 (214)	8-15/16 (227)	N/A	12-3/16 (310)
4	4	7	6-1/2 (165)	3-7/16 (87)	5-1/2 (140)	6-7/16 (164)	7-5/16 (186)	11-15/16 (303)	12-3/4 (324)
4	5	9A	7-1/4 (184)	4-1/16 (103)	5-3/4 (146)	6-11/16 (170)	7-3/8 (187)	N/A	13-3/16 (335)
4	5	9B	7-3/4 (197)	3-9/16 (90)	6-5/8 (168)	8-1/16 (205)	8-11/16 (221)	N/A	12-13/16 (325)
4	5	11	9 (229)	3-15/16 (100)	7-1/4 (184)	7-15/16 (202)	8-11/16 (221)	N/A	13-3/16 (335)
4	5	12	8-3/4 (222)	3-9/16 (90)	7-15/16 (202)	8-7/8 (225)	9-9/16 (243)	N/A	12-13/16 (325)
5	6	11	9 (229)	4-1/8 (105)	8-1/16 (205)	8-11/16 (221)	10-1/8 (257)	N/A	14 (356)
5	6	12	9 (229)	3-7/8 (98)	8-5/16 (211)	9-1/4 (235)	10-1/8 (257)	N/A	13-1/2 (343)
6	6	9	8-1/4 (210)	3-3/4 (95)	7 (178)	8 (203)	9 (229)	N/A	13-1/8 (333)
6	6	11	9-1/4 (235)	4-1/8 (105)	8-11/16 (221)	9-11/16 (246)	10-13/16 (275)	N/A	14 (356)
6	6	12	9-1/4 (235)	4-1/8 (105)	8-11/16 (221)	9-11/16 (246)	10-13/16 (275)	N/A	14 (356)



BASE	HA	HB	HG	HH
1	12 (304)	38 (965)	3 (76)	1/2 (12)
2	12 (304)	48 (1219)	3 (76)	1/2 (12)
3	13 (330)	54 (1372)	4 (102)	5/8 (15)
4	15 (381)	54 (1372)	4 (102)	5/8 (15)
5	15 (381)	60 (1524)	3-3/8 (86)	5/8 (15)
6	18 (457)	60 (1524)	4 (102)	5/8 (15)
7	22 (558)	60 (1524)	4 (102)	5/8 (15)
8	22 (558)	72 (1829)	4 (102)	5/8 (15)

- NOTES:
- All dimensions in inches (mm).
 - Dimensions may vary ± 1/4" (6).
 - Not for construction purposes unless certified.
 - N/A = not applicable.
 - Conduit box is shown in approximate location. Dimensions are not specified as they vary with each motor manufacturer.
- * Dimension "HT" may vary 1/8" (3) to 1" (25).

AURORA® MODEL 344A PUMPS

OPTIONAL CASING FOOT POWER FRAME TABLES

Dated June 2013

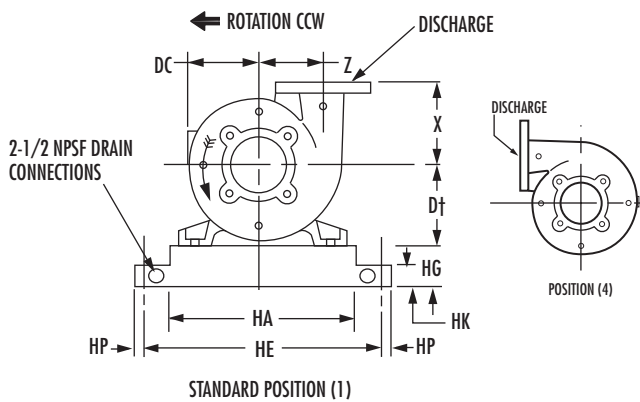
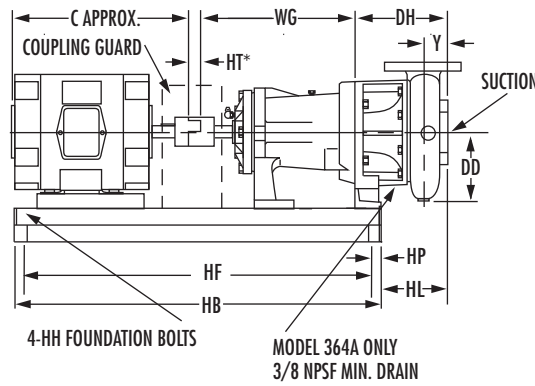
MOTOR FRAME	C	MOTOR FRAME	C
56C	12 (304)	284TS	22 (558)
143T	12 (304)	286T	25 (635)
145T	13 (330)	286TS	24 (609)
182T	13 (330)	324T	26 (660)
184T	14 (355)	324TS	25 (635)
213T	16 (406)	326T	28 (711)
215T	18 (457)	326TS	26 (660)
254T	21 (533)	364TS	27 (685)
256T	23 (584)	365TS	28 (711)
284T	24 (609)	404TS	30 (762)

DISCHARGE	SUCTION	CASE BORE	BASE	FRAME 56C D	BASE	FRAME 143T-145T D	BASE	FRAME 182T-184T D	BASE	FRAME 213T-215T D	BASE	FRAME 254T D
1-1/4	1-1/2	7	1	6-3/4 (171)	1	6-3/4 (171)	1	6-3/4 (171)	2	6-3/4 (171)	3	6-3/4 (171)
1-1/4	1-1/2	9	1	6-3/4 (171)	1	6-3/4 (171)	1	6-3/4 (171)	2	6-3/4 (171)	3	6-3/4 (171)
1-1/2	2	7	1	6-3/4 (171)	1	6-3/4 (171)	1	6-3/4 (171)	2	6-3/4 (171)	3	6-3/4 (171)
1-1/2	2	9	1	6-3/4 (171)	1	6-3/4 (171)	1	6-3/4 (171)	2	6-3/4 (171)	3	6-3/4 (171)
2	2-1/2	7	1	7-1/2 (191)	1	7-1/2 (191)	1	7-1/2 (191)	2	7-1/2 (191)	3	7-1/2 (191)
2	2-1/2	9	1	7-1/2 (191)	1	7-1/2 (191)	1	7-1/2 (191)	2	7-1/2 (191)	3	7-1/2 (191)
2-1/2	3	7	1	7-1/2 (191)	1	7-1/2 (191)	1	7-1/2 (191)	2	7-1/2 (191)	3	7-1/2 (191)
2-1/2	3	9	1	7-1/2 (191)	1	7-1/2 (191)	1	7-1/2 (191)	2	7-1/2 (191)	3	7-1/2 (191)
3	4	9	1	8-1/4 (210)	1	8-1/4 (210)	1	8-1/4 (210)	2	8-1/4 (210)	3	8-1/4 (210)
4	4	7	1	8-1/4 (210)	1	8-1/4 (210)	2	8-1/4 (210)	2	8-1/4 (210)	3	8-1/4 (210)

DISCHARGE	SUCTION	CASE BORE	BASE	FRAME 143T-145T D	BASE	FRAME 182T-184T D	BASE	FRAME 213T-215T D	BASE	FRAME 254T-256T D	BASE	FRAME 284T/TS-286T/TS D	BASE	FRAME 324T/TS-326T/TS D	BASE	FRAME 364TS 365TS D
1-1/2	2	9	4	7 (178)	4	7 (178)	5	7 (178)	6	7 (178)	6	7 (178)	7	8-5/8 (219)	8	9 (229)
1-1/2	2	12	4	8-5/8 (219)	4	8-5/8 (219)	5	8-5/8 (219)	6	8-5/8 (219)	6	8-5/8 (219)	7	8-5/8 (219)	8	9 (229)
2	2-1/2	7	4	7-1/2 (191)	4	7-1/2 (191)	5	7-1/2 (191)	6	7-1/2 (191)	6	7-1/2 (191)	-	N/A	-	N/A
2	2-1/2	12	4	9-1/4 (235)	4	9-1/4 (235)	5	9-1/4 (235)	6	9-1/4 (235)	6	9-1/4 (235)	7	9-1/4 (235)	8	9-1/4 (235)
2	3	11	4	7-3/4 (197)	4	7-3/4 (197)	5	7-3/4 (197)	6	7-3/4 (197)	6	7-3/4 (197)	7	9-1/8 (232)	-	N/A
2-1/2	3	7	4	7-1/2 (191)	4	7-1/2 (191)	5	7-1/2 (191)	6	7-1/2 (191)	6	7-1/2 (191)	-	N/A	-	N/A
2-1/2	3	12	4	9-1/2 (241)	4	9-1/2 (241)	5	9-1/2 (241)	6	9-1/2 (241)	6	9-1/2 (241)	7	9-1/2 (241)	8	9-1/2 (241)
3	4	9	4	8-1/4 (210)	4	8-1/4 (210)	5	8-1/4 (210)	6	8-1/4 (210)	6	8-1/4 (210)	7	8-1/4 (210)	8	10 (254)
3	4	11	4	8-5/8 (219)	4	8-5/8 (219)	5	8-5/8 (219)	6	8-5/8 (219)	6	8-5/8 (219)	7	8-5/8 (219)	-	N/A
3	4	12	4	10 (254)	4	10 (254)	5	10 (254)	6	10 (254)	6	10 (254)	7	10 (254)	8	10 (254)
4	4	7	4	8-1/4 (102)	4	8-1/4 (127)	5	8-1/4 (152)	6	8-1/4 (152)	6	8-1/4 (152)	-	N/A	-	N/A
4	5	9A	4	8-7/8 (225)	4	8-7/8 (225)	5	8-7/8 (225)	6	8-7/8 (225)	6	8-7/8 (225)	7	8-7/8 (225)	8	9 (229)
4	5	9B	4	9 (229)	5	9 (229)	5	9 (229)	6	9 (229)	6	9 (229)	7	9 (229)	8	9 (229)
4	5	11	4	9 (229)	5	9 (229)	5	9 (229)	6	9 (229)	6	9 (229)	7	9 (229)	-	N/A
4	5	12	4	10-3/4 (273)	5	10-3/4 (273)	5	10-3/4 (273)	6	10-3/4 (273)	6	10-3/4 (273)	7	10-3/4 (273)	8	10-3/4 (273)
5	6	11	-	N/A	-	N/A	5	11-1/4 (286)	6	11-1/4 (286)	6	11-1/4 (286)	7	11-1/4 (286)	-	N/A
5	6	12	-	N/A	-	N/A	-	N/A	6	11-1/4 (286)	6	11-1/4 (286)	7	11-1/4 (286)	8	11-1/4 (286)
6	6	9	-	N/A	-	N/A	5	9-1/2 (241)	6	9-1/2 (241)	6	9-1/2 (241)	7	9-1/2 (241)	-	N/A
6	6	11	-	N/A	-	N/A	5	11-1/2 (292)	6	11-1/2 (292)	6	11-1/2 (292)	7	11-1/2 (292)	-	N/A

DISCHARGE	SUCTION	CASE BORE	BASE	FRAME 143T-145T D	BASE	FRAME 182T-184T D	BASE	FRAME 213T-215T D	BASE	FRAME 254T-256T D	BASE	FRAME 284T/TS-286T/TS D	BASE	FRAME 324T/TS-326T/TS D	BASE	FRAME 364TS 365TS D	BASE	FRAME 404TS D
2	2-1/2	9	4	7-1/2 (191)	4	7-1/2 (191)	5	7-1/2 (191)	6	7-1/2 (191)	6	7-1/2 (191)	7	9 (229)	8	9 (229)	-	N/A
2-1/2	3	9	4	7-1/2 (191)	4	7-1/2 (191)	5	7-1/2 (191)	6	7-1/2 (191)	6	7-1/2 (191)	7	9-1/4 (235)	8	9-1/4 (235)	-	N/A
3	4	9	4	8-1/4 (210)	4	8-1/4 (210)	5	8-1/4 (210)	6	8-1/4 (210)	6	8-1/4 (210)	7	8-1/4 (210)	8	10 (254)	-	N/A
3	4	12	4	10 (254)	4	10 (254)	5	10 (254)	6	10 (254)	6	10 (254)	7	10 (254)	8	10 (254)	-	N/A
4	5	9A	4	8-7/8 (225)	4	8-7/8 (225)	5	8-7/8 (225)	6	8-7/8 (225)	6	8-7/8 (225)	7	8-7/8 (225)	8	9 (229)	-	N/A
4	5	12	4	10-3/4 (273)	5	10-3/4 (273)	5	10-3/4 (273)	6	10-3/4 (273)	6	10-3/4 (273)	7	10-3/4 (273)	8	10-3/4 (273)	-	N/A
5	6	11	-	N/A	-	N/A	5	11-1/4 (286)	6	11-1/4 (286)	6	11-1/4 (286)	7	11-1/4 (286)	-	N/A	-	N/A
5	6	12	-	N/A	-	N/A	-	N/A	6	11-1/4 (286)	6	11-1/4 (286)	7	11-1/4 (286)	8	11-1/4 (286)	-	N/A
6	6	11	-	N/A	-	N/A	5	11-1/2 (292)	6	11-1/2 (292)	6	11-1/2 (292)	7	11-1/2 (292)	-	N/A	-	N/A
6	6	12	-	N/A	-	N/A	-	N/A	6	11-3/8 (289)	6	11-3/8 (289)	7	11-3/8 (289)	8	11-3/8 (289)	8 (203)	11-3/8 (289)

AURORA® MODEL 344A & 364A PUMPS ON STEEL DRIP RIM BASE



MODEL 344A ILLUSTRATED

BASE	SIZE	HA	HB	HE	HG	HH	HP	HK	HF
4	11 X 30	11	30-1/2	15-7/8	3	1/2	11/16	1-1/2	29-1/8
5	11 X 36	11	36-1/2	15-7/8	3	1/2	11/16	1-1/2	35-1/8
7	14 X 36	14	36-1/2	19	3	5/8	3/4	1-1/2	35
8	14 X 42	14	42-1/2	19	3	5/8	3/4	1-1/2	41
9	14 X 48	14	48-1/2	19	3	5/8	3/4	1-1/2	47
11	18 X 46	18	46-1/2	25-1/8	4	3/4	13/16	2	44-7/8
12	18 X 54	18	54-1/2	25-1/8	4	3/4	13/16	2	52-7/8
15	22 X 54	22	54-1/2	29-1/8	4-1/2	3/4	13/16	2	57-7/8

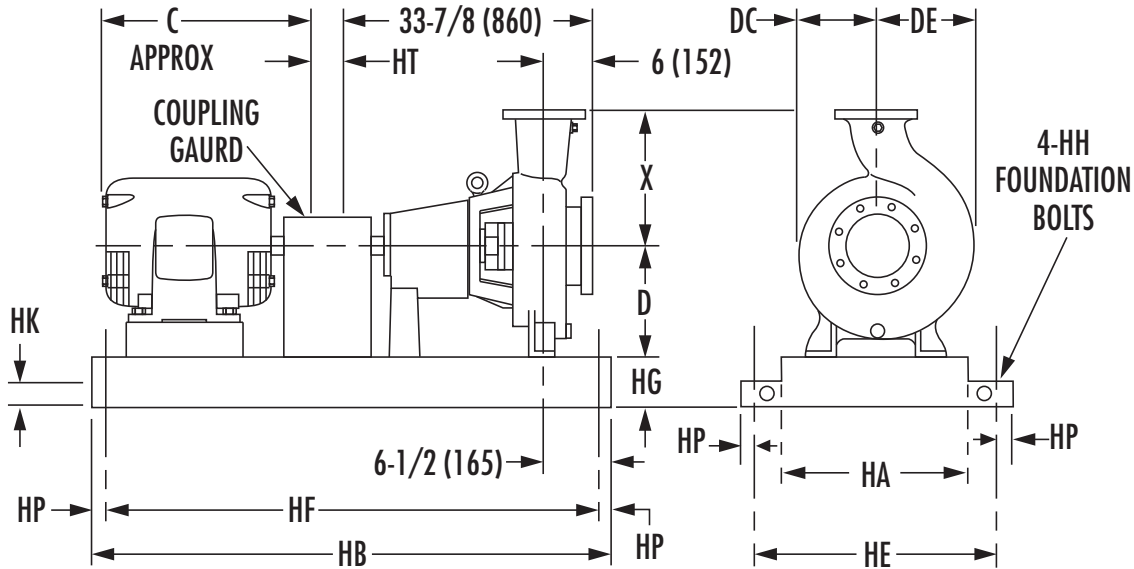
D	POWER FRAME	MODEL 344A			MODEL 364A		
		1	2	3	1	2	3
	WG	10-5/16	13-13/16	13-13/16	10-5/16	13-13/16	13-13/16
340 CASE BORE	7	5-1/4	6-1/4	-			
	9	6-1/4	7	7			
	11	-	7	7			
	12	-	7	7			
360 CASE BORE	7	-	-	-	5-1/4	6-1/4	-
	9	-	-	-	5-1/4	7	7
	11	-	-	-	-	7	7
	12	-	-	-	-	7	7
MOTOR FRAME	C APPROX	BASE NUMBER					
56	12	4	N/A	N/A	4	N/A	N/A
143T	12	4	N/A	N/A	4	N/A	N/A
145T	13	4	7	N/A	4	7	N/A
182T	13	4	7	N/A	4	7	N/A
184T	14	4	7	N/A	4	7	N/A
213T	16	5-1/4	4	7	N/A	5	7
215T	18	5-1/4	5	7	N/A	5	7
254T	21	6-1/4	7	8	8	N/A	8
256T	23	6-1/4	N/A	8	8	N/A	8
284T	24	7	N/A	8	8	N/A	8
284TS	22	7	N/A	8	8	N/A	8
286T	25	7	N/A	8	8	N/A	9
286TS	24	7	N/A	8	8	N/A	8
324T	26	8	N/A	11	11	N/A	11
324TS	25	8	N/A	11	11	N/A	11
326T	28	8	N/A	11	11	N/A	11
326TS	26	8	N/A	11	11	N/A	11
364T	29	9	N/A	11	11	N/A	12
364TS	27	9	N/A	11	11	N/A	11
365TS	28	9	N/A	11	11	N/A	11
404TS	30	10	N/A	15	15	N/A	15

PUMPS WITH THREADED CONNECTIONS																	
PUMP SIZE		CASE BORE	X	Y	Z	DC	DD	344A DH		364A DH		344A HL			364A HL		
DISCH	SUCT							FRAME 1	FRAME 2 & 3	FRAME 1	FRAME 2 & 3	FRAME 1	FRAME 2	FRAME 3	FRAME 1	FRAME 2	FRAME 3
1-1/4	1-1/2	7	5-1/4	2-7/16	4-3/16	4-15/16	5-3/16	7-3/16	N/A	10-1/4	N/A	4-3/16	N/A	N/A	4-3/4	N/A	N/A
1-1/4	1-1/2	9	6-5/8	2-9/16	5-3/8	6-3/16	6-3/8	7-1/4	N/A	10-5/16	N/A	4-1/4	N/A	N/A	4-13/16	N/A	N/A
1-1/2	2	7	5-3/8	2-1/2	4-5/16	5-1/8	5-3/8	7-5/16	N/A	10-3/8	N/A	4-5/16	N/A	N/A	4-7/8	N/A	N/A
1-1/2	2	9	6-3/4	2-5/8	5-1/2	6-5/16	6-9/16	7-3/8	8-3/8	10-7/16	11-1/4	4-3/8	4-7/8	N/A	4-15/16	5	N/A
1-1/2	2	11	9	2-13/16	6-1/8	7-1/16	7-1/4	N/A	8-9/16	N/A	11-7/16	N/A	5-3/8	N/A	N/A	7	N/A
1-1/2	2	12	7-3/4	2-3/4	7-1/16	8	8-1/4	N/A	8-5/8	N/A	11-1/2	N/A	5-5/8	N/A	N/A	5-1/4	5-1/4
PUMPS WITH ANSI 125 LB FLANGED CONNECTIONS																	
2	2-1/2	7	5-5/8	1-7/8	4-9/16	5-3/8	5-13/16	6-13/16	7-13/16	9-7/8	10-11/16	3-13/16	4-5/16	N/A	4-3/8	4-7/16	N/A
2	2-1/2	9	7	1-7/8	5-11/16	6-1/2	6-7/8	6-3/4	7-3/4	9-13/16	10-5/8	3-3/4	N/A	3-7/8	4-5/16	N/A	4-3/8
2	2-1/2	12	8	1-7/8	7-3/16	8-3/16	8-1/2	N/A	7-7/8	N/A	10-3/4	N/A	4-7/8	N/A	N/A	4-1/2	N/A
2	3	11	8	2-3/8	6-1/2	7	7-3/8	N/A	8-1/2	N/A	11-3/8	N/A	5-1/32	N/A	N/A	5-5/32	N/A
2-1/2	3	7	5-7/8	2	4-13/16	5-13/16	6-1/4	7-1/16	8-1/16	10-1/8	10-15/16	4-1/16	4-9/16	N/A	4-5/8	4-11/16	N/A
2-1/2	3	9	7-1/4	2	5-15/16	6-3/4	7-1/4	7	8	N/A	10-7/8	4	N/A	4-1/2	N/A	4-5/8	4-5/8
2-1/2	3	12	8-1/4	2	7-3/8	8-3/8	8-3/4	N/A	8-1/8	N/A	11	N/A	5-1/8	N/A	N/A	4-3/4	4-3/4
3	4	9	7-1/2	2-1/8	6-1/8	6-7/8	7-7/16	7-1/4	8-1/4	N/A	11-1/8	4-1/4	N/A	4-3/4	N/A	N/A	4-7/8
3	4	11	9	2-3/4	7	7-9/16	8-3/16	N/A	9-3/16	N/A	12-1/16	N/A	5-11/16	N/A	N/A	5-13/16	N/A
3	4	12	8-1/2	2-1/8	7-9/16	8-7/16	8-15/16	N/A	8-3/8	N/A	11-1/4	N/A	5-3/8	N/A	N/A	5	5
4	4	7	6-1/2	2-1/2	5-1/2	6-7/16	7-5/16	7-15/16	8-15/16	11	11-13/16	4-15/16	5-7/16	N/A	5-1/2	5-9/16	N/A
4	5	9A	7-1/4	3-1/8	5-3/4	6-11/16	7-3/8	N/A	9-3/8	N/A	12-1/4	N/A	5-7/8	5-7/8	N/A	6	6
4	5	9B	7-3/4	2-5/8	6-5/8	8-1/16	8-11/16	N/A	9	N/A	11-7/8	N/A	5-1/2	N/A	N/A	5-5/8	N/A
4	5	11	9	3	7-1/4	7-15/16	8-11/16	N/A	9-5/8	N/A	12-1/2	N/A	6-1/8	N/A	N/A	6-1/4	N/A
4	5	12	8-3/4	2-5/8	7-15/16	8-7/8	9-9/16	N/A	9-1/8	N/A	12	N/A	6-1/8	6-1/8	N/A	5-3/4	5-3/4
5	6	11	9	3-1/8	8-1/16	8-11/16	10-1/8	N/A	10-1/8	N/A	13	N/A	6-5/8	6-5/8	N/A	6-3/4	6-3/4
5	6	12	9	2-7/8	8-5/16	9-1/4	10-1/8	N/A	9-5/8	N/A	12-1/2	N/A	6-5/8	6-5/8	N/A	6-1/4	6-1/4
6	6	9	8-1/4	2-3/4	7	8	9	N/A	9-1/4	N/A	12-1/8	N/A	5-3/4	N/A	N/A	5-7/8	N/A
6	6	11	9-1/4	3-1/8	8-11/16	9-11/16	10-13/16	N/A	10-1/8	N/A	13	N/A	7-1/8	7-1/8	N/A	6-3/4	6-3/4
6	6	12	9-1/4	3-1/8	8-11/16	9-11/16	10-13/16	N/A	10-1/8	N/A	13	N/A	N/A	7-1/8	N/A	N/A	6-3/4

- NOTES:
- All dimensions in inches (mm).
 - Dimensions may vary ± 1/4.
 - Not for construction purposes unless certified.
 - N/A = not applicable.
 - Check discharge position. Casing dimensions which exceed dimension "D" may require pads for the pump and/or motor.
 - Conduit box is shown in approximate location. Dimensions are not specified as they vary with each motor manufacturer.
 - Dim "HT" may vary 1/8 TO 1.
 - D Dimension of 5 x 6 x 11, 5 x 6 x 12, 6 x 6 x 11 and 6 x 6 x 12 pump with 213T thru 286T motor is 9.

AURORA® MODEL 364A PUMPS

15 (381) CASE BORE POWER FRAME 21 ON STEEL DRIP RIM BASE



CASE BORE	15 (381)
"D" PUMP	14-1/2 (368)

FRAME SIZE	C	"D" MOTOR	HA	HB	HE	HF	HG	HH	HP	HK	HT	BASEPLATE DESIGNATION
286T	25 (635)	7 (178)										
324T	26 (660)	8 (203)									1-1/16 (27)	
326T	28 (711)											
364T	29 (737)			64-1/2 (1638)		62-7/8 (1597)						16 (406)
364TS	27 (686)	9 (229)									1/4 (6)	
365T	30 (762)										2 (51)	
365TS	28 (711)		22 (559)		29-1/8 (740)		4-1/2 (114)	3/4 (19)	13/16 (21)	2 (51)		
404T	33 (838)										2-1/16 (52)	
404TS	30 (762)	10 (254)									2 (51)	
405TS	34 (864)			74-1/2 (1892)		72-7/8 (1851)						17 (432)
405TS	31 (787)										2-1/16 (52)	
444TS	34 (864)	11 (279)										
445TS	36 (914)										1-1/4 (32)	

PUMP SIZE	FLANGE SIZE		DC	DE	X
	DISCH.	SUCT.			
6 x 8 x 15	6 (152)	8 (203)	10-7/16 (265)	12-7/8 (327)	18 (457)
8 x 10 x 15	8 (203)	10 (254)	11 (279)	14-3/8 (365)	19 (483)

NOTES:

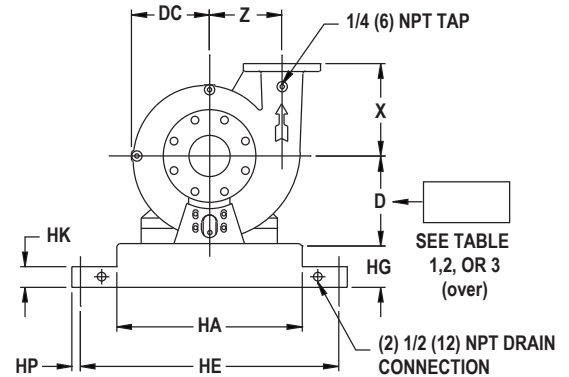
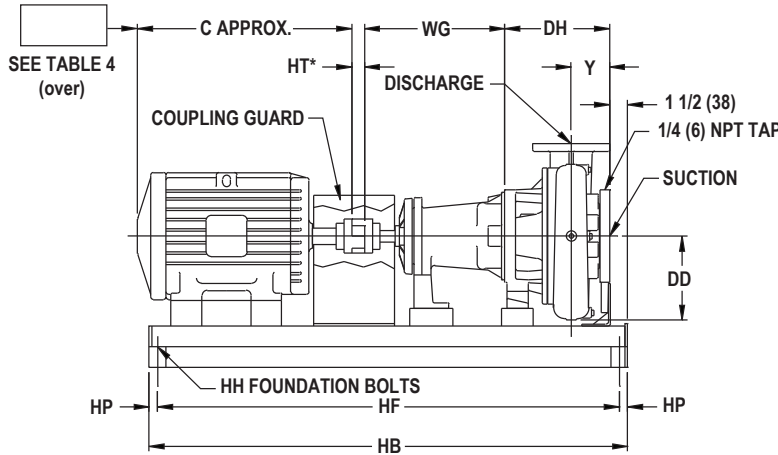
1. Dimensions are approximate.
2. Dimensions are in inches (mm) and may vary ± 1/4 (6).
3. Not for construction purposes unless certified.
4. Three grout holes are provided in top of base.
5. Dimension "D" is determined by larger "D" dimension of pump and motor combination.

AURORA MODEL 344A PUMPS

STEEL DRIP RIM BASE WITH OPTIONAL CASING FOOT

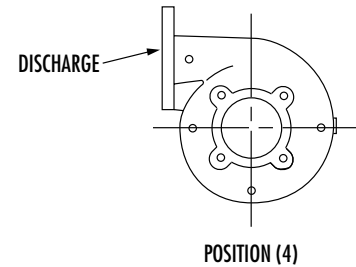
Dated **January 2003**

Supersedes Section 340A Page 305
Dated May 1994



MODEL 344A ILLUSTRATED

PUMPS WITH FLANGED SUCTION CONNECTIONS AND THREADED DISCHARGE CONNECTIONS									
PUMP SIZE			X	Y	Z	DC	DD	FRAME 1 DH	FRAME 2 & 3 DH
DISCHARGE	SUCTION	CASE BORE							
1-1/4	1-1/2	7	5-1/4 (133)	3-3/8 (86)	4-3/16 (106)	4-15/16 (125)	5-3/16 (132)	8-1/8 (206)	N/A
1-1/4	1-1/2	9	6-5/8 (168)	3-1/2 (89)	5-3/8 (137)	6-3/16 (157)	6-3/8 (162)	8-3/16 (208)	N/A
1-1/2	2	7	5-3/8 (137)	3-7/16 (87)	4-5/16 (110)	5-1/8 (130)	5-3/8 (137)	8-1/4 (210)	N/A
1-1/2	2	9	6-3/4 (171)	3-9/16 (90)	5-1/2 (140)	6-5/16 (160)	6-9/16 (167)	8-5/16 (211)	9-5/16 (237)
1-1/2	2	12	7-3/4 (197)	3-11/16 (94)	7-1/16 (179)	8 (203)	8-1/14 (205)	N/A	9-5/16 (237)
PUMPS WITH ANSI 125 LB. FLANGED CONNECTIONS									
2	2-1/2	7	5-5/8 (143)	2-13/16 (71)	4-9/16 (116)	5-3/8 (137)	5-13/16 (148)	7-3/4 (197)	8-3/4 (222)
2	2-1/2	9	7 (178)	2-13/16 (71)	5-11/16 (144)	6-1/2 (165)	6-7/8 (175)	7-11/16 (195)	8-11/16 (221)
2	2-1/2	12	8 (203)	2-13/16 (71)	7-3/16 (183)	8-3/16 (208)	8-1/2 (216)	N/A	8-13/16 (224)
2	3	11	8 (203)	3-5/16 (84)	6-1/2 (165)	7 (178)	7-3/8 (187)	N/A	9-7/16 (240)
2-1/2	3	7	5-7/8 (149)	2-15/16 (75)	4-13/16 (122)	5-13/16 (148)	6-1/4 (159)	8 (203)	9 (229)
2-1/2	3	9	7-1/4 (184)	2-15/16 (75)	5-15/16 (151)	6-3/4 (171)	7-1/4 (184)	7-15/16 (202)	8-15/16 (227)
2-1/2	3	12	8-1/4 (210)	2-15/16 (75)	7-3/8 (187)	8-3/8 (213)	8-3/4 (222)	N/A	9-1/16 (230)
3	4	9	7-1/2 (191)	3-1/16 (78)	6-1/8 (156)	6-7/8 (175)	7-7/16 (189)	8-3/16 (208)	9-3/16 (233)
3	4	11	9 (229)	3-11/16 (94)	7 (178)	7-9/16 (192)	8-3/16 (208)	N/A	10-1/8 (257)
3	4	12	8-1/2 (216)	3-1/16 (78)	7-9/16 (192)	8-7/16 (214)	8-15/16 (227)	N/A	9-5/16 (237)
4	4	7	6-1/2 (165)	3-7/16 (87)	5-1/2 (140)	6-7/16 (164)	7-5/16 (186)	8-7/8 (225)	9-7/8 (251)
4	5	9A	7-1/4 (184)	4-1/16 (103)	5-3/4 (146)	6-11/16 (170)	7-3/8 (187)	N/A	10-5/16 (262)
4	5	9B	7-3/4 (197)	3-9/16 (90)	6-5/8 (168)	8-1/16 (205)	8-11/16 (221)	N/A	9-15/16 (252)
4	5	11	9 (229)	3-15/16 (100)	7-1/4 (184)	7-15/16 (202)	8-11/16 (221)	N/A	10-9/16 (268)
4	5	12	8-3/4 (222)	3-9/16 (90)	7-15/16 (202)	8-7/8 (225)	9-9/16 (243)	N/A	10-1/16 (256)
5	6	11	9 (229)	4-1/8 (105)	8-1/16 (205)	8-11/16 (221)	10-1/8 (257)	N/A	11-1/8 (283)
5	6	12	9 (229)	3-7/8 (98)	8-5/16 (211)	9-1/4 (235)	10-1/8 (257)	N/A	10-5/8 (270)
6	6	9	8-1/4 (210)	3-3/4 (95)	7 (178)	8 (203)	9 (229)	N/A	10-1/4 (260)
6	6	11	9-1/4 (235)	4-1/8 (105)	8-11/16 (221)	9-11/16 (246)	10-13/16 (275)	N/A	11-1/8 (283)
6	6	12	9-1/4 (235)	4-1/8 (105)	8-11/16 (221)	9-11/16 (246)	10-13/16 (275)	N/A	11-1/8 (283)



BASE	SIZE	HA	HB	HE	HG	HH	HP	HK	HF
7	14x36	14 (355)	36-1/2 (927)	19 (482)	3 (76)	5/8 (15)	3/4 (19)	1-1/2 (38)	35 (889)
8	14x42	14 (355)	42-1/2 (1079)	19 (482)	3 (76)	5/8 (15)	3/4 (19)	1-1/2 (38)	41 (1041)
11	18x46	18 (457)	46-1/2 (1181)	25-1/8 (638)	4 (102)	3/4 (19)	13/16 (20)	2 (50)	44-7/8 (1139)
12	18x54	18 (457)	54-1/2 (1384)	25-1/8 (638)	4 (102)	3/4 (19)	13/16 (20)	2 (50)	52-7/8 (1343)
15	22x54	22 (558)	54-1/2 (1384)	29-1/8 (739)	4-1/2 (114)	3/4 (19)	13/16 (20)	2 (50)	52-7/8 (1343)
16	22x64	22 (558)	64-1/2 (1638)	29-1/8 (739)	4-1/2 (114)	3/4 (19)	13/16 (20)	2 (50)	62-7/8 (1597)

- NOTES:
- All dimensions in inches (mm).
 - Dimensions may vary $\pm 1/4"$ (6).
 - Not for construction purposes unless certified.
 - N/A = not applicable.
 - Conduit box is shown in approximate location. Dimensions are not specified as they vary with each motor manufacturer.
- * Dimension "HT" may vary 1/8" (3) to 1" (25).

Supersedes Section 340A Page 306
Dated October 1993

DISCHARGE	SUCTION	CASE BORE	BASE	FRAME 56C D	BASE	FRAME 143T-45T D	BASE	FRAME 182T-184T D	BASE	FRAME 213T-215T D	BASE	FRAME 254T D
1-1/4 (32)	1-1/2 (38)	7 (178)	7	6-3/4 (171)	7	6-3/4 (171)	7	6-3/4 (171)	8	6-3/4 (171)	8	6-3/4 (171)
1-1/4 (32)	1-1/2 (38)	9 (229)	7	6-3/4 (171)	7	6-3/4 (171)	7	6-3/4 (171)	8	6-3/4 (171)	8	6-3/4 (171)
1-1/2 (38)	2 (51)	7 (178)	7	6-3/4 (171)	7	6-3/4 (171)	7	6-3/4 (171)	8	6-3/4 (171)	8	6-3/4 (171)
1-1/2 (38)	2 (51)	9 (229)	7	6-3/4 (171)	7	6-3/4 (171)	7	6-3/4 (171)	8	6-3/4 (171)	8	6-3/4 (171)
2 (51)	2-1/2 (64)	7 (178)	7	7-1/2 (191)	7	7-1/2 (191)	7	7-1/2 (191)	8	7-1/2 (191)	8	7-1/2 (191)
2 (51)	2-1/2 (64)	9 (229)	7	7-1/2 (191)	7	7-1/2 (191)	7	7-1/2 (191)	8	7-1/2 (191)	8	7-1/2 (191)
2-1/2 (64)	3 (76)	7 (178)	7	7-1/2 (191)	7	7-1/2 (191)	7	7-1/2 (191)	8	7-1/2 (191)	8	7-1/2 (191)
2-1/2 (64)	3 (76)	9 (229)	7	7-1/2 (191)	7	7-1/2 (191)	7	7-1/2 (191)	8	7-1/2 (191)	8	7-1/2 (191)
3 (76)	4 (102)	9 (229)	7	8-1/4 (210)	7	8-1/4 (210)	7	8-1/4 (210)	8	8-1/4 (210)	8	8-1/4 (210)
4 (102)	4 (102)	7 (178)	7	8-1/4 (210)	7	8-1/4 (210)	8	8-1/4 (210)	8	8-1/4 (210)	8	8-1/4 (210)

MOTOR FRAME	C	MOTOR FRAME	C
56C	12	284TS	22
143T	12	286T	25
145T	13	286TS	24
182T	13	324T	26
184T	14	324TS	25
213T	16	326T	28
215T	18	326TS	26
254T	21	364TS	27
256T	23	365TS	28
284T	24	404TS	30

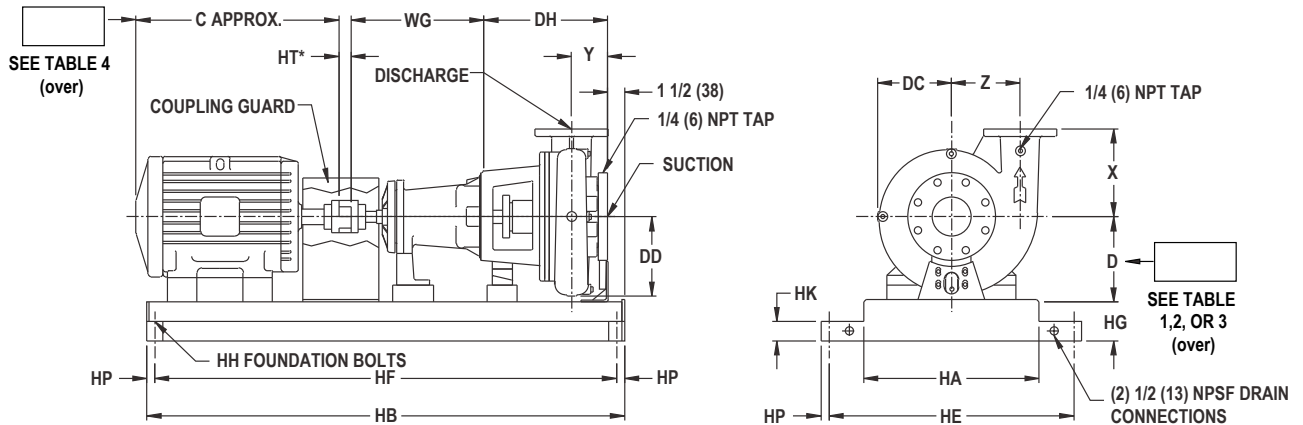
DISCHARGE	SUCTION	CASE BORE	BASE	FRAME 143T-145T D	BASE	FRAME 182T-184T D	BASE	FRAME 213T-215T D	BASE	FRAME 254T-256T D	BASE	FRAME 284T/TS-286T/TS D	BASE	FRAME 324T/TS-326T/TS D	BASE	FRAME 364TS-365TS D
1-1/2	2	9	8	7 (178)	8	7 (178)	11	7 (178)	12	7 (178)	12	7 (178)	12	8-5/8 (219)	15	9 (229)
1-1/2	2	12	8	8-5/8 (219)	8	8-5/8 (219)	11	8-5/8 (219)	12	8-5/8 (219)	12	8-5/8 (219)	12	8-5/8 (219)	15	9 (229)
2	2-1/2	7	8	7-1/2 (191)	8	7-1/2 (191)	11	7-1/2 (191)	12	7-1/2 (191)	12	7-1/2 (191)	-	N/A	-	N/A
2	2-1/2	12	8	9-1/4 (235)	8	9-1/4 (235)	11	9-1/4 (235)	12	9-1/4 (235)	12	9-1/4 (235)	12	9-1/4 (235)	15	9-1/4 (235)
2	3	11	8	7-3/4 (197)	8	7-3/4 (197)	11	7-3/4 (197)	12	7-3/4 (197)	12	7-3/4 (197)	12	9-1/8 (232)	-	N/A
2-1/2	3	7	8	7-1/2 (191)	8	7-1/2 (191)	11	7-1/2 (191)	12	7-1/2 (191)	12	7-1/2 (191)	-	N/A	-	N/A
2-1/2	3	12	8	9-1/2 (241)	8	9-1/2 (241)	11	9-1/2 (241)	12	9-1/2 (241)	12	9-1/2 (241)	12	9-1/2 (241)	15	9-1/2 (241)
3	4	9	8	8-1/4 (210)	8	8-1/4 (210)	11	8-1/4 (210)	12	8-1/4 (210)	12	8-1/4 (210)	12	8-1/4 (210)	15	10 (254)
3	4	11	8	8-5/8 (219)	8	8-5/8 (219)	11	8-5/8 (219)	12	8-5/8 (219)	12	8-5/8 (219)	12	8-5/8 (219)	-	N/A
3	4	12	8	10 (254)	8	10 (254)	11	10 (254)	12	10 (254)	12	10 (254)	12	10 (254)	15	10 (254)
4	4	7	8	8-1/4 (210)	8	8-1/4 (210)	11	8-1/4 (210)	12	8-1/4 (210)	12	8-1/4 (210)	-	N/A	-	N/A
4	5	9A	8	8-7/8 (225)	8	8-7/8 (225)	11	8-7/8 (225)	12	8-7/8 (225)	12	8-7/8 (225)	12	8-7/8 (225)	15	9 (229)
4	5	9B	8	9 (229)	11	9 (229)	11	9 (229)	12	9 (229)	12	9 (229)	12	9 (229)	15	9 (229)
4	5	11	8	9 (229)	11	9 (229)	11	9 (229)	12	9 (229)	12	9 (229)	12	9 (229)	-	N/A
4	5	12	8	10-3/4 (273)	11	10-3/4 (273)	11	10-3/4 (273)	12	10-3/4 (273)	12	10-3/4 (273)	12	10-3/4 (273)	15	10-3/4 (273)
5	6	11	-	N/A	-	N/A	11	11-1/4 (286)	12	11-1/4 (286)	12	11-1/4 (286)	12	11-1/4 (286)	-	N/A
5	6	12	-	N/A	-	N/A	-	N/A	12	11-1/4 (286)	12	11-1/4 (286)	12	11-1/4 (286)	15	11-1/4 (286)
6	6	9	-	N/A	-	N/A	11	9-1/2 (241)	12	9-1/2 (241)	12	9-1/2 (241)	12	9-1/2 (241)	-	N/A
6	6	11	-	N/A	-	N/A	11	11-1/2 (292)	12	11-1/2 (292)	12	11-1/2 (292)	12	11-1/2 (292)	-	N/A

DISCHARGE	SUCTION	CASE BORE	BASE	FRAME 143T-145T D	BASE	FRAME 182T-184T D	BASE	FRAME 213T-215T D	BASE	FRAME 254T-256T D	BASE	FRAME 284T/TS-286T/TS D	BASE	FRAME 324T/TS-326T/TS D	BASE	FRAME 364TS-365TS D	BASE	FRAME 404TS D
2	2-1/2	9	8	7-1/2 (191)	8	7-1/2 (191)	11	7-1/2 (191)	12	7-1/2 (191)	12	7-1/2 (191)	12	9 (229)	15	9 (229)	-	N/A
2-1/2	3	9	8	7-1/2 (191)	8	7-1/2 (191)	11	7-1/2 (191)	12	7-1/2 (191)	12	7-1/2 (191)	12	9-1/4 (235)	15	9-1/4 (235)	-	N/A
3	4	9	8	8-1/4 (210)	8	8-1/4 (210)	11	8-1/4 (210)	12	8-1/4 (210)	12	8-1/4 (210)	12	8-1/4 (210)	15	10 (254)	-	N/A
3	4	12	8	10 (254)	8	10 (254)	11	10 (254)	12	10 (254)	12	10 (254)	12	10 (254)	15	10 (254)	-	N/A
4	5	9A	8	8-7/8 (225)	8	8-7/8 (225)	11	8-7/8 (225)	12	8-7/8 (225)	12	8-7/8 (225)	12	8-7/8 (225)	15	9 (229)	-	N/A
4	5	12	8	10-3/4 (273)	11	10-3/4 (273)	11	10-3/4 (273)	12	10-3/4 (273)	12	10-3/4 (273)	12	10-3/4 (273)	15	10-3/4 (273)	-	N/A
5	6	11	-	N/A	-	N/A	11	11-1/4 (286)	12	11-1/4 (286)	12	11-1/4 (286)	12	11-1/4 (286)	-	N/A	-	N/A
5	6	12	-	N/A	-	N/A	-	N/A	12	11-1/4 (286)	12	11-1/4 (286)	12	11-1/4 (286)	15	11-1/4 (286)	-	N/A
6	6	11	-	N/A	-	N/A	11	11-1/2 (292)	12	11-1/2 (292)	12	11-1/2 (292)	12	11-1/2 (292)	-	N/A	-	N/A
6	6	12	-	N/A	-	N/A	-	N/A	12	11-3/8 (289)	12	11-3/8 (289)	12	11-3/8 (289)	15	11-3/8 (289)	16	11-3/8 (289)

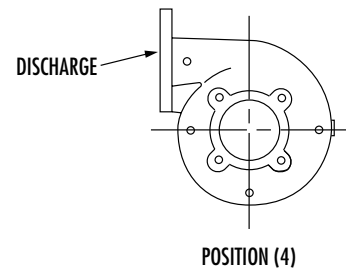
AURORA® MODEL 364A PUMPS

STEEL DRIP RIM BASE WITH OPTIONAL CASING FOOT

Dated **June 2013**



PUMPS WITH FLANGED SUCTION CONNECTIONS AND THREADED DISCHARGE CONNECTIONS									
PUMP SIZE			X	Y	Z	DC	DD	FRAME 1 DH	FRAME 2 & 3 DH
DISCHARGE	SUCTION	CASE BORE							
1-1/4	1-1/2	7	5-1/4 (133)	3-3/8 (86)	4-3/16 (106)	4-15/16 (125)	5-3/16 (132)	11-3/16 (284)	N/A
1-1/4	1-1/2	9	6-5/8 (168)	3-1/2 (89)	5-3/8 (137)	6-3/16 (157)	6-3/8 (162)	11-1/4 (286)	N/A
1-1/2	2	7	5-3/8 (137)	3-7/16 (87)	4-5/16 (110)	5-1/8 (130)	5-3/8 (137)	11-15/16 (303)	N/A
1-1/2	2	9	6-3/4 (171)	3-9/16 (90)	5-1/2 (140)	6-5/16 (160)	6-9/16 (167)	11-3/8 (290)	12-3/16 (310)
1-1/2	2	12	7-3/4 (197)	3-11/16 (94)	7-1/16 (179)	8 (203)	8-1/4 (210)	N/A	12-7/16 (316)
PUMPS WITH ANSI 125 LB. FLANGED CONNECTIONS									
2	2-1/2	7	5-5/8 (143)	2-13/16 (71)	4-9/16 (116)	5-3/8 (137)	5-13/16 (148)	10-13/16 (275)	11-5/8 (295)
2	2-1/2	9	7 (178)	2-13/16 (71)	5-11/16 (144)	6-1/2 (165)	6-7/8 (175)	10-3/4 (273)	11-9/16 (294)
2	2-1/2	12	8 (203)	2-13/16 (71)	7-3/16 (183)	8-3/16 (208)	8-1/2 (216)	N/A	11-11/16 (297)
2	3	11	8 (203)	3-5/16 (84)	6-1/2 (165)	7 (178)	7-3/8 (187)	N/A	12-5/16 (313)
2-1/2	3	7	5-7/8 (149)	2-15/16 (75)	4-13/16 (122)	5-13/16 (148)	6-1/4 (159)	11-1/16 (281)	11-7/8 (302)
2-1/2	3	9	7-1/4 (184)	2-15/16 (75)	5-15/16 (151)	6-3/4 (171)	7-1/4 (184)	7-15/16 (202)	11-13/16 (300)
2-1/2	3	12	8-1/4 (210)	2-15/16 (75)	7-3/8 (187)	8-3/8 (213)	8-3/4 (222)	N/A	11-15/16 (303)
3	4	9	7-1/2 (191)	3-1/16 (78)	6-1/8 (156)	6-7/8 (175)	7-7/16 (189)	N/A	12-1/6 (309)
3	4	11	9 (229)	3-11/16 (94)	7 (178)	7-9/16 (192)	8-3/16 (208)	N/A	13 (330)
3	4	12	8-1/2 (216)	3-1/16 (78)	7-9/16 (192)	8-7/16 (214)	8-15/16 (227)	N/A	12-3/16 (310)
4	4	7	6-1/2 (165)	3-7/16 (87)	5-1/2 (140)	6-7/16 (164)	7-5/16 (186)	11-15/16 (303)	12-3/4 (324)
4	5	9A	7-1/4 (184)	4-1/16 (103)	5-3/4 (146)	6-11/16 (170)	7-3/8 (187)	N/A	13-3/16 (335)
4	5	9B	7-3/4 (197)	3-9/16 (90)	6-5/8 (168)	8-1/16 (205)	8-11/16 (221)	N/A	12-13/16 (325)
4	5	11	9 (229)	3-15/16 (100)	7-1/4 (184)	7-15/16 (202)	8-11/16 (221)	N/A	13-3/16 (335)
4	5	12	8-3/4 (222)	3-9/16 (90)	7-15/16 (202)	8-7/8 (225)	9-9/16 (243)	N/A	12-13/16 (325)
5	6	11	9 (229)	4-1/8 (105)	8-1/16 (205)	8-11/16 (221)	10-1/8 (257)	N/A	14 (356)
5	6	12	9 (229)	3-7/8 (98)	8-5/16 (211)	9-1/4 (235)	10-1/8 (257)	N/A	13-1/2 (343)
6	6	9	8-1/4 (210)	3-3/4 (95)	7 (178)	8 (203)	9 (229)	N/A	13-1/8 (333)
6	6	11	9-1/4 (235)	4-1/8 (105)	8-11/16 (221)	9-11/16 (246)	10-13/16 (275)	N/A	14 (356)
6	6	12	9-1/4 (235)	4-1/8 (105)	8-11/16 (221)	9-11/16 (246)	10-13/16 (275)	N/A	14 (356)



BASE	SIZE	HA	HB	HE	HG	HH	HP	HK	HF
7	14 x 36	14 (356)	36-1/2 (927)	19 (483)	3 (76)	5/8 (16)	3/4 (19)	1-1/2 (38)	35 (889)
8	14 x 42	14 (356)	42-1/2 (1080)	19 (483)	3 (76)	5/8 (16)	13/16 (20)	1-1/2 (38)	41 (1041)
11	18 x 46	18 (457)	46-1/2 (1181)	25-1/8 (638)	4 (102)	3/4 (19)	13/16 (20)	2 (51)	44-7/8 (1140)
12	18 x 54	18 (457)	54-1/2 (1384)	25-1/8 (638)	4 (102)	3/4 (19)	13/16 (20)	2 (51)	52-7/8 (1343)
15	22 x 54	22 (559)	54-1/2 (1384)	29-1/8 (740)	4-1/2 (114)	3/4 (19)	13/16 (20)	2 (51)	52-1/8 (1324)
16	22 x 64	22 (559)	64-1/2 (1638)	29-1/8 (740)	4-1/2 (114)	3/4 (19)	13/16 (20)	2 (51)	62-7/8 (1597)

- NOTES:
- All dimensions in inches.
 - Dimensions may vary $\pm 1/4"$ (mm).
 - Not for construction purposes unless certified (6).
 - N/A = not applicable.
 - Conduit box is shown in approximate location. Dimensions are not specified as they vary with each motor manufacturer.
- * Dimension "HT" may vary 1/8" (3) to 1" (24).

OPTIONAL CASING FOOT POWER FRAME TABLES

MOTOR FRAME	C	MOTOR FRAME	C
56C	12 (304)	284TS	22 (558)
143T	12 (304)	286T	25 (635)
145T	13 (330)	286TS	24 (609)
182T	13 (330)	324T	26 (660)
184T	14 (355)	324TS	25 (635)
213T	16 (406)	326T	28 (711)
215T	18 (457)	326TS	26 (660)
254T	21 (533)	364TS	27 (685)
256T	23 (584)	365TS	28 (711)
284T	24 (609)	404TS	30 (762)

DISCHARGE	SUCTION	CASE BORE	BASE	FRAME 56C D	BASE	FRAME 143T-145T D	BASE	FRAME 182T-184T D	BASE	FRAME 213T-215T D	BASE	FRAME 254T D
1-1/4	1-1/2	7	7	6-3/4 (171)	7	6-3/4 (171)	7	6-3/4 (171)	8	6-3/4 (171)	8	6-3/4 (171)
1-1/4	1-1/2	9	7	6-3/4 (171)	7	6-3/4 (171)	7	6-3/4 (171)	8	6-3/4 (171)	8	6-3/4 (171)
1-1/2	2	7	7	6-3/4 (171)	7	6-3/4 (171)	7	6-3/4 (171)	8	6-3/4 (171)	8	6-3/4 (171)
1-1/2	2	9	7	6-3/4 (171)	7	6-3/4 (171)	7	6-3/4 (171)	8	6-3/4 (171)	8	6-3/4 (171)
2	2-1/2	7	7	7-1/2 (191)	7	7-1/2 (191)	7	7-1/2 (191)	8	7-1/2 (191)	8	7-1/2 (191)
2	2-1/2	9	7	7-1/2 (191)	7	7-1/2 (191)	7	7-1/2 (191)	8	7-1/2 (191)	8	7-1/2 (191)
2-1/2	3	7	7	7-1/2 (191)	7	7-1/2 (191)	7	7-1/2 (191)	8	7-1/2 (191)	8	7-1/2 (191)
2-1/2	3	9	7	7-1/2 (191)	7	7-1/2 (191)	7	7-1/2 (191)	8	7-1/2 (191)	8	7-1/2 (191)
3	4	9	7	8-1/4 (210)	7	8-1/4 (210)	7	8-1/4 (210)	8	8-1/4 (210)	8	8-1/4 (210)
4	4	7	7	8-1/4 (210)	7	8-1/4 (210)	8	8-1/4 (210)	8	8-1/4 (210)	8	8-1/4 (210)

DISCHARGE	SUCTION	CASE BORE	BASE	FRAME 143T-145T D	BASE	FRAME 182T-184T D	BASE	FRAME 213T-215T D	BASE	FRAME 254T-256T D	BASE	FRAME 284T/TS-286T/TS D	BASE	FRAME 324T/TS-326T/TS D	BASE	FRAME 364TS-365TS D
1-1/2	2	9	8	7 (178)	8	7 (178)	11	7 (178)	12	7 (178)	12	7 (178)	12	8-5/8 (219)	15	9 (229)
1-1/2	2	12	8	8-5/8 (219)	8	8-5/8 (219)	11	8-5/8 (219)	12	8-5/8 (219)	12	8-5/8 (219)	12	8-5/8 (219)	15	9 (229)
2	2-1/2	7	8	7-1/2 (191)	8	7-1/2 (191)	11	7-1/2 (191)	12	7-1/2 (191)	12	7-1/2 (191)	-	N/A	-	N/A
2	2-1/2	12	8	9-1/4 (235)	8	9-1/4 (235)	11	9-1/4 (235)	12	9-1/4 (235)	12	9-1/4 (235)	12	9-1/4 (235)	15	9-1/4 (235)
2	3	11	8	7-3/4 (197)	8	7-3/4 (197)	11	7-3/4 (197)	12	7-3/4 (197)	12	7-3/4 (197)	12	9-1/8 (232)	-	N/A
2-1/2	3	7	8	7-1/2 (191)	8	7-1/2 (191)	11	7-1/2 (191)	12	7-1/2 (191)	12	7-1/2 (191)	-	N/A	-	N/A
2-1/2	3	12	8	9-1/2 (241)	8	9-1/2 (241)	11	9-1/2 (241)	12	9-1/2 (241)	12	9-1/2 (241)	12	9-1/2 (241)	15	9-1/2 (241)
3	4	9	8	8-1/4 (210)	8	8-1/4 (210)	11	8-1/4 (210)	12	8-1/4 (210)	12	8-1/4 (210)	12	8-1/4 (210)	15	10 (254)
3	4	11	8	8-5/8 (219)	8	8-5/8 (219)	11	8-5/8 (219)	12	8-5/8 (219)	12	8-5/8 (219)	12	8-5/8 (219)	-	N/A
3	4	12	8	10 (254)	8	10 (254)	11	10 (254)	12	10 (254)	12	10 (254)	12	10 (254)	15	10 (254)
4	4	7	8	8-1/4 (210)	8	8-1/4 (210)	11	8-1/4 (210)	12	8-1/4 (210)	12	8-1/4 (210)	-	N/A	-	N/A
4	5	9A	8	8-7/8 (225)	8	8-7/8 (225)	11	8-7/8 (225)	12	8-7/8 (225)	12	8-7/8 (225)	12	8-7/8 (225)	15	9 (229)
4	5	9B	8	9 (229)	11	9 (229)	11	9 (229)	12	9 (229)	12	9 (229)	12	9 (229)	15	9 (229)
4	5	11	8	9 (229)	11	9 (229)	11	9 (229)	12	9 (229)	12	9 (229)	12	9 (229)	-	N/A
4	5	12	8	10-3/4 (273)	11	10-3/4 (273)	11	10-3/4 (273)	12	10-3/4 (273)	12	10-3/4 (273)	12	10-3/4 (273)	15	10-3/4 (273)
5	6	11	-	N/A	-	N/A	11	11-1/4 (286)	12	11-1/4 (286)	12	11-1/4 (286)	12	11-1/4 (286)	-	N/A
5	6	12	-	N/A	-	N/A	-	N/A	12	11-1/4 (286)	12	11-1/4 (286)	12	11-1/4 (286)	15	11-1/4 (286)
6	6	9	-	N/A	-	N/A	11	9-1/2 (241)	12	9-1/2 (241)	12	9-1/2 (241)	12	9-1/2 (241)	-	N/A
6	6	11	-	N/A	-	N/A	11	11-1/2 (292)	12	11-1/2 (292)	12	11-1/2 (292)	12	11-1/2 (292)	-	N/A

DISCHARGE	SUCTION	CASE BORE	BASE	FRAME 143T-145T D	BASE	FRAME 182T-184T D	BASE	FRAME 213T-215T D	BASE	FRAME 254T-256T D	BASE	FRAME 284T/TS-286T/TS D	BASE	FRAME 324T/TS-326T/TS D	BASE	FRAME 364TS-365TS D	BASE	FRAME 404TS D
2	2-1/2	9	8	7-1/2 (191)	8	7-1/2 (191)	11	7-1/2 (191)	12	7-1/2 (191)	12	7-1/2 (191)	12	9 (229)	15	9 (229)	-	N/A
2-1/2	3	9	8	7-1/2 (191)	8	7-1/2 (191)	11	7-1/2 (191)	12	7-1/2 (191)	12	7-1/2 (191)	12	9-1/4 (235)	15	9-1/4 (235)	-	N/A
3	4	9	8	8-1/4 (210)	8	8-1/4 (210)	11	8-1/4 (210)	12	8-1/4 (210)	12	8-1/4 (210)	12	8-1/4 (210)	15	10 (254)	-	N/A
3	4	12	8	10 (254)	8	10 (254)	11	10 (254)	12	10 (254)	12	10 (254)	12	10 (254)	15	10 (254)	-	N/A
4	5	9A	8	8-7/8 (225)	8	8-7/8 (225)	11	8-7/8 (225)	12	8-7/8 (225)	12	8-7/8 (225)	12	8-7/8 (225)	15	9 (229)	-	N/A
4	5	12	8	10-3/4 (273)	11	10-3/4 (273)	11	10-3/4 (273)	12	10-3/4 (273)	12	10-3/4 (273)	12	10-3/4 (273)	15	10-3/4 (273)	-	N/A
5	6	11	-	N/A	-	N/A	11	11-1/4 (286)	12	11-1/4 (286)	12	11-1/4 (286)	12	11-1/4 (286)	-	N/A	-	N/A
5	6	12	-	N/A	-	N/A	-	N/A	12	11-1/4 (286)	12	11-1/4 (286)	12	11-1/4 (286)	15	11-1/4 (286)	-	N/A
6	6	11	-	N/A	-	N/A	11	11-1/2 (292)	12	11-1/2 (292)	12	11-1/2 (292)	12	11-1/2 (292)	-	N/A	-	N/A
6	6	12	-	N/A	-	N/A	-	N/A	12	11-3/8 (289)	12	11-3/8 (289)	12	11-3/8 (289)	15	11-3/8 (289)	16	11-3/8 (289)