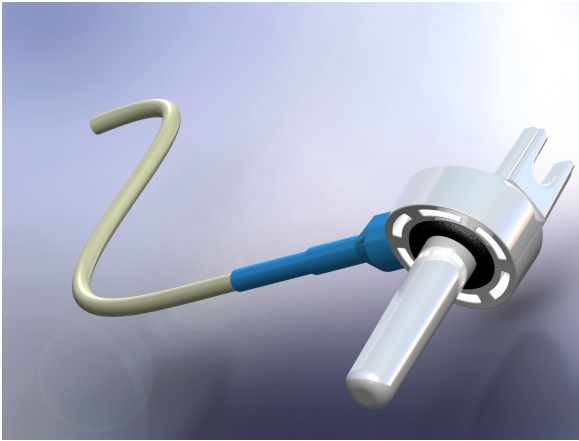




# TEMPERATURE SENSOR KIT

FOR INTELLICENTER™, EASYTOUCH®,  
INTELLITOUCH®, AND SUNTOUCH® CONTROL  
SYSTEMS



## INSTALLATION GUIDE

IMPORTANT SAFETY INSTRUCTIONS  
READ AND FOLLOW ALL INSTRUCTIONS  
SAVE THESE INSTRUCTIONS

## Technical Support

**Hours:** 9:00AM to 7:00PM EST (6:00AM - 4:00PM PST)

**Call:** (800) 831-7133

**Visit:** [www.pentair.com](http://www.pentair.com)

**Fax:** (800) 284-4151

## Kit Contents

The following items are included in the water/air temperature sensor replacement kit:

### Temperature Sensor Assembly - P/N 520872

- Temperature Sensor, 10k Temperature Sensor - P/N 520326
- Temperature Sensor, 10k Ohms, 40 ft - P/N 521583
- Temperature Sensor, 10k Ohms, 20 ft - P/N 521584
- Hose Clamp (1-7/8" - 5" Clamp) - P/N 476168
- Installation Instructions (this manual)

## Related manuals

IntelliCenter™ Control System User's Guide (P/N 522990)

IntelliTouch® Control System User's Guide (P/N 521075)

EasyTouch® Control System User's Guide (P/N 521044)

SunTouch® Control System User's Guide (P/N 520785)

## Water/Air Temperature Sensor

The sensor can be used as a water or air sensor. The 10k Ohms Temperature Sensor can be used with IntelliCenter, IntelliTouch, EasyTouch, SunTouch and Compool to EasyTouch Upgrade Control Systems.

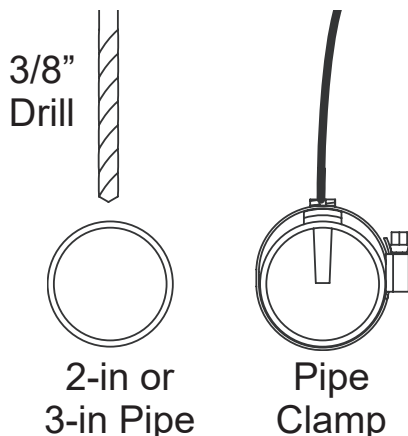
## Sensor Installation

**IMPORTANT NOTE:** If replacing an existing water temperature sensor, be sure to drill out a 3/8" inch hole into the 3-in or 2-in pipe for the new sensor. The old sensor is likely 5/16-inch, and the new sensor will not fit.

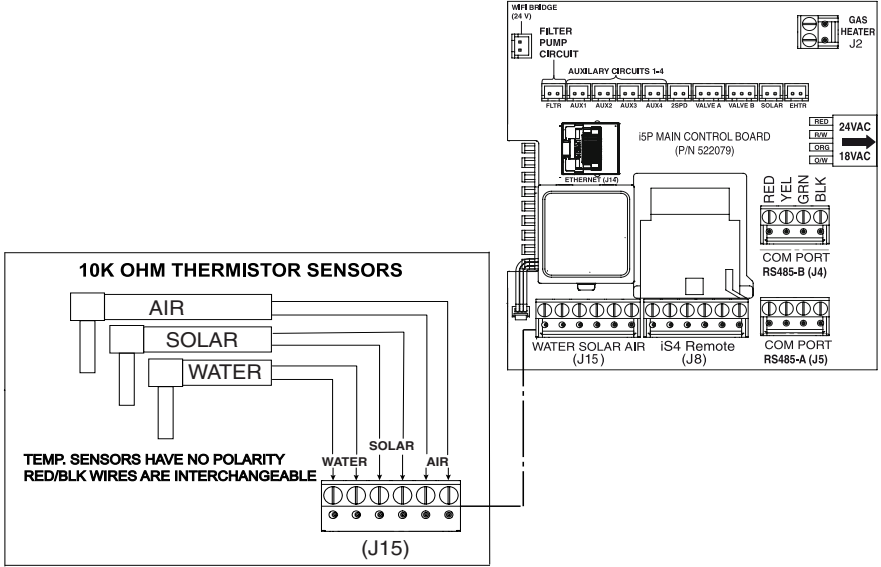
1. The existing water sensor will be located between the filter pump and the primary filter. Remove the sensor.
2. Drill a 3/8-inch hole in the 3-inch or 2-inch pipe.
3. Position the hose clamp over the replacement sensor and gently tighten around pipe. **Do not overtighten clamp.**
4. Route the cable through the low voltage compartment of the Load Center or Power Center to the Outdoor Control Panel circuit board.
5. Strip wires 1/4-inch.
6. Connect the sensor wires to **WATER** screw terminals. See page 4 and 5 for screw terminal location.

## Ambient Air Temperature (Freeze Protection) Sensor Replacement

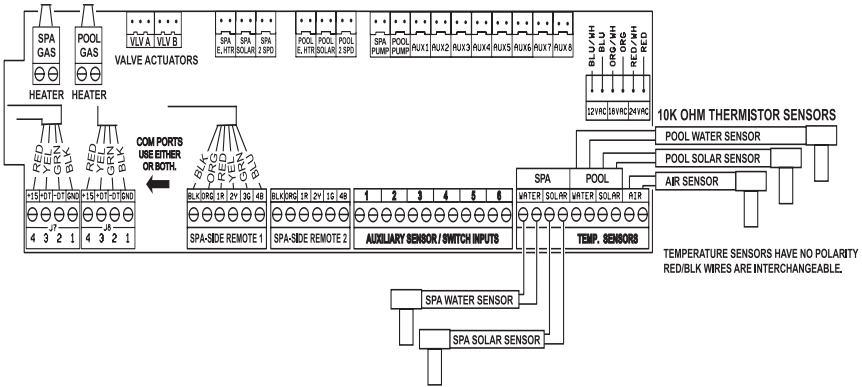
1. Mount sensor in open air, in shaded area, away from air conditioners.
2. Route the cable through the low voltage compartment of the Load Center or Power Center to the Outdoor Control Panel circuit board.
3. Use cable ties to fasten sensor cable to pipes.
4. Strip wires back 1/4-inch.
5. Connect the sensor wires to **AIR** screw terminals. See page 4 and 5 for screw terminal location.



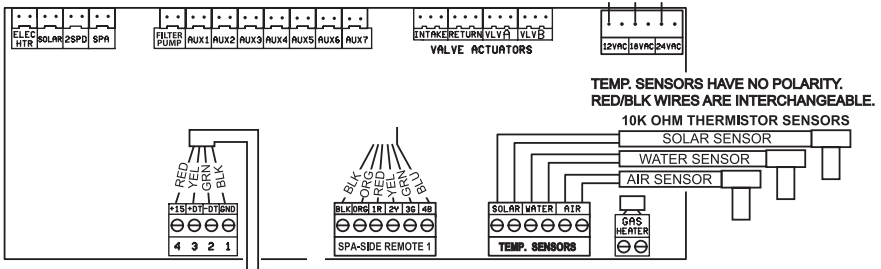
# IntelliCenter Control System Circuit Board



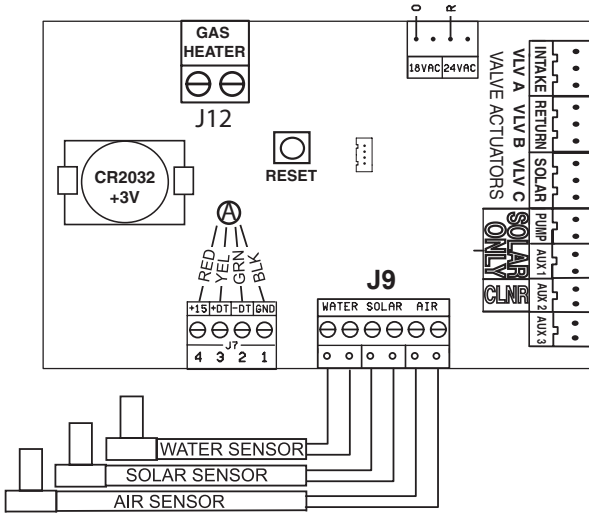
# IntelliTouch Control System Circuit Board



# EasyTouch Control System Circuit Board

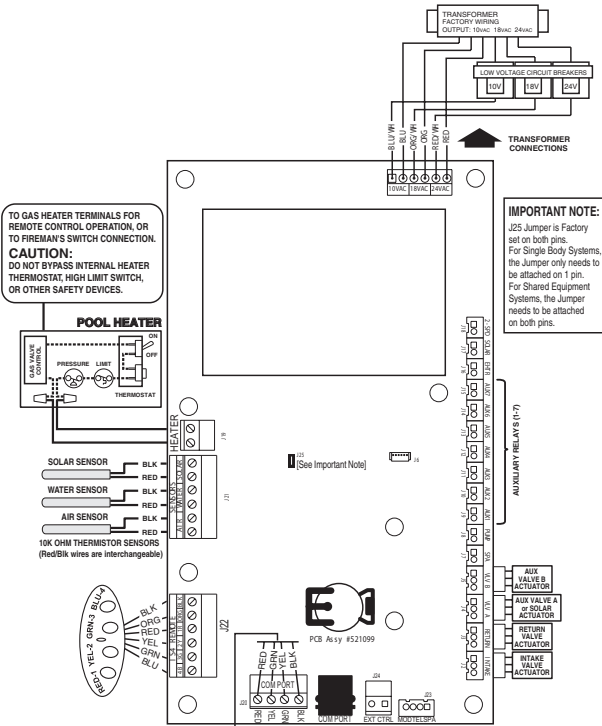


# SunTouch Control System Circuit Board



TEMP. SENSORS HAVE NO POLARITY.  
RED/BLK WIRES ARE INTERCHANGEABLE.

# Compool EasyTouch Upgrade Control System Circuit Board



TO GAS HEATER TERMINALS FOR REMOTE CONTROL OPERATION, OR TO FIREMAN'S SWITCH CONNECTION.  
**CAUTION:**  
DO NOT BYPASS INTERNAL HEATER THERMOSTAT, HIGH LIMIT SWITCH, OR OTHER SAFETY DEVICES.

**IMPORTANT NOTE:**  
J25 Jumper is Factory set on both pins. For Single Body Systems, the Jumper only needs to be attached on 1 pin. For Shared Equipment Systems, the Jumper needs to be attached on both pins.







1620 HAWKINS AVE., SANFORD, NC 27330 • (919) 566-8000  
10951 WEST LOS ANGELES AVE., MOORPARK, CA 93021 • (805) 553-5000

All indicated Pentair trademarks and logos are property of Pentair. Third party registered and unregistered trademarks and logos are the property of their respective owners.

© 2023 Pentair. All rights reserved. [WWW.PENTAIR.COM](http://WWW.PENTAIR.COM)



P/N 520326 REV. F 7/19/23