

# CHLORPLUS PROTECT™ 10 PFOA/PFOS FILTRATION SYSTEM



## APPLICATIONS

- ◆ Undersink

## FEATURES • BENEFITS

- ◆ Professional-grade PFOA/PFOS reduction system for point of use, undersink applications
- ◆ System is certified by IAPMO R&T to reduce up to 98% of PFOA/PFOS, commonly known as “forever chemicals”
- ◆ Also features premium sediment, chlorine, and chloramine reduction
- ◆ Integrated pressure relief valve for easier cartridge change-outs
- ◆ Complete system with cartridge, wrench, mounting bracket kit and manual

## INSTALLATION TIPS

- ◆ Choose a mounting location suitable to support the full weight of the system when operating.
- ◆ Make sure to properly lubricate O-ring prior to use.
- ◆ Install vertically with bowl hanging down.
- ◆ Allow 1-1/2" (3.81 cm) clearance below the cartridge for easy cartridge replacement.

## OPERATION TIPS

- ◆ Replace cartridge if flow rate decreases.
- ◆ Do not exceed service flow rate.
- ◆ Inspect O-ring during each cartridge change. Lubricate and/or replace if necessary.

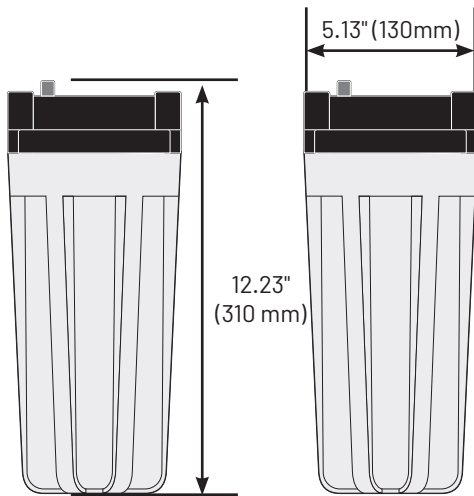
## SIZING

- ◆ Service Flow Rate: Maximum 1 gpm

## INCLUDES

- ◆ 10" filter housing with pressure relief
- ◆ 10" filter cartridge
- ◆ Wrench
- ◆ Mounting bracket with screws
- ◆ Installation and operation manual

# CHLORPLUS PROTECT 10 PFOA/PFOS FILTRATION SYSTEM



## SPECIFICATIONS

- ◆ **System** (Model/Part No.)  
CHLORPLUS PROTECT 10  
PFOA/PFOS FILTRATION SYSTEM  
ChlorPlus Protect 10/150742 (1/Case)
- ◆ **Housing Size**  
10" Heavy duty
- ◆ **Inlet Size**  
3/4" FPT
- ◆ **Housing Material**  
Polypropylene
- ◆ **System Dimensions**  
5.13" H x 12.23" W  
(130mm x 310 mm)
- ◆ **Cartridge Type**  
Carbon Block
- ◆ **Contaminant Reduction**  
PFOA/PFOS: Certified by IAPMO R&T  
against NSF/ANSI 53
- ◆ **Micron Rating**  
1
- ◆ **Approximate Filter Life\***  
4 - 5 months
- ◆ **Capacity**  
1,000 gallons (3,785 L)
- ◆ **Flow Rate**  
1 gpm (3.785 Lpm)
- ◆ **Certification**  
NSF/ANSI Std. 53
- ◆ **Feed Pressure Range**  
0-125 psi (2.1-8.6 bar)
- ◆ **Temperature Range**  
40° - 100°F (4.4 - 37.8°C)
- ◆ **Replacement Cartridge**  
(Model/Part No.)  
ChlorPlus Protect 10 / 655226-43  
(12/Case)

\* Filter life dependent on gallon usage and overall incoming water quality.



The model ChlorPlus Protect 10 is certified by IAPMO R&T against NSF/ANSI 53 for the reduction of perfluorooctanoic acid (PFOA) and perfluorooctane sulfonate (PFOS).



13845 Bishops Dr. | Suite 200 | Brookfield, WI 53005 | United States  
P: 262.238.4400 | Customer Service: 800.279.9404 | [tech-support@pentair.com](mailto:tech-support@pentair.com) | [pentair.com](http://pentair.com)

All indicated Pentair trademarks and logos are property of Pentair. Third party registered trademarks and logos are the property of their respective owners.

© 2023 Pentair. All rights reserved.

4006941 JA23